

**ARROW - MASTER**  
MOBILE HYDRAULIC HAMMER

**Section 3**

**MODELS 1350  
& 1350T**  
Parts Manual

**ARROW-MASTER  
INCORPORATED**



**ARROW - MASTER**  
MOBILE HYDRAULIC HAMMER

**Section 3**

**MODELS 1350  
& 1350T**  
Parts Manual

Publication No. 5000073  
(Revised 11/08)

SERIAL NUMBER: \_\_\_\_\_

SOLD AND  
SERVICED BY: \_\_\_\_\_



**ARROW-MASTER, INCORPORATED**

1201 Seventh Street • East Moline, IL 61244  
[www.arrowmaster.com](http://www.arrowmaster.com)

# Table Of Contents **Section 3**

---

**For Section 1 click here**

<b>Hammer Assembly Groups</b> .....	<b>2</b>
<b>Chassis and Wheels</b> .....	<b>4</b>
Steering Axle .....	6
Drive Axle S/N: 6000 - 6489 .....	8
Drive Axle S/N: 6490 - .....	10
Drive Axle Brakes S/N: 6000 - 6209 .....	12
Service Brakes S/N: 6000 - 6209 .....	14
Service Brakes S/N: 6210 - .....	16
Parking Brake S/N: 6000 - 6209 .....	18
Parking Brake S/N: 6210 - .....	20
<b>Clutch and Brake Pedals</b> .....	<b>22</b>

**For Section 2 click here**

<b>Power Steering</b> .....	<b>23</b>
<b>Fuel and Hydraulic Tanks</b> .....	<b>24</b>
<b>Engine/Transmission</b> .....	<b>26</b>
John Deere Diesel S/N: 6000 - 6499 .....	26
John Deere Diesel S/N: 6500 - .....	28
<b>Throttle Assembly</b> .....	<b>30</b>
<b>Carriage and Sideshift</b> .....	<b>32</b>
<b>Layback Release</b> .....	<b>33</b>
<b>Lead</b> .....	<b>34</b>
<b>Hammer Weight</b> .....	<b>35</b>
<b>Hammer Tools</b> .....	<b>36</b>
<b>Creeper Gear</b> .....	<b>38</b>
<b>Creeper Cover</b> .....	<b>40</b>
<b>Cover Plates</b> .....	<b>42</b>

## **Section 3**

<b>Hydraulic Components</b> .....	<b>44</b>
Hydraulic Hoses .....	46
Hydraulic Hoses Electronic Stroke .....	46a
Automatic Cylinder .....	48
Hammer Lift Cylinder .....	50
Pilot Valve .....	51
Tilt Cylinder .....	52
Layback Cylinder .....	53
Hydraulic Pump .....	54
Control Valves .....	56
Hammer Control Valve .....	58
Creeper and Bypass Valve .....	60
Hydraulic Fittings .....	62
<b>Instruments &amp; Lighting</b> .....	<b>64</b>
Electronic Stroke Control .....	66
<b>Decals</b> .....	<b>68</b>
<b>How to Order Parts</b> .....	<b>70</b>
<b>Index</b> .....	<b>71</b>

# Parts Section 3

---

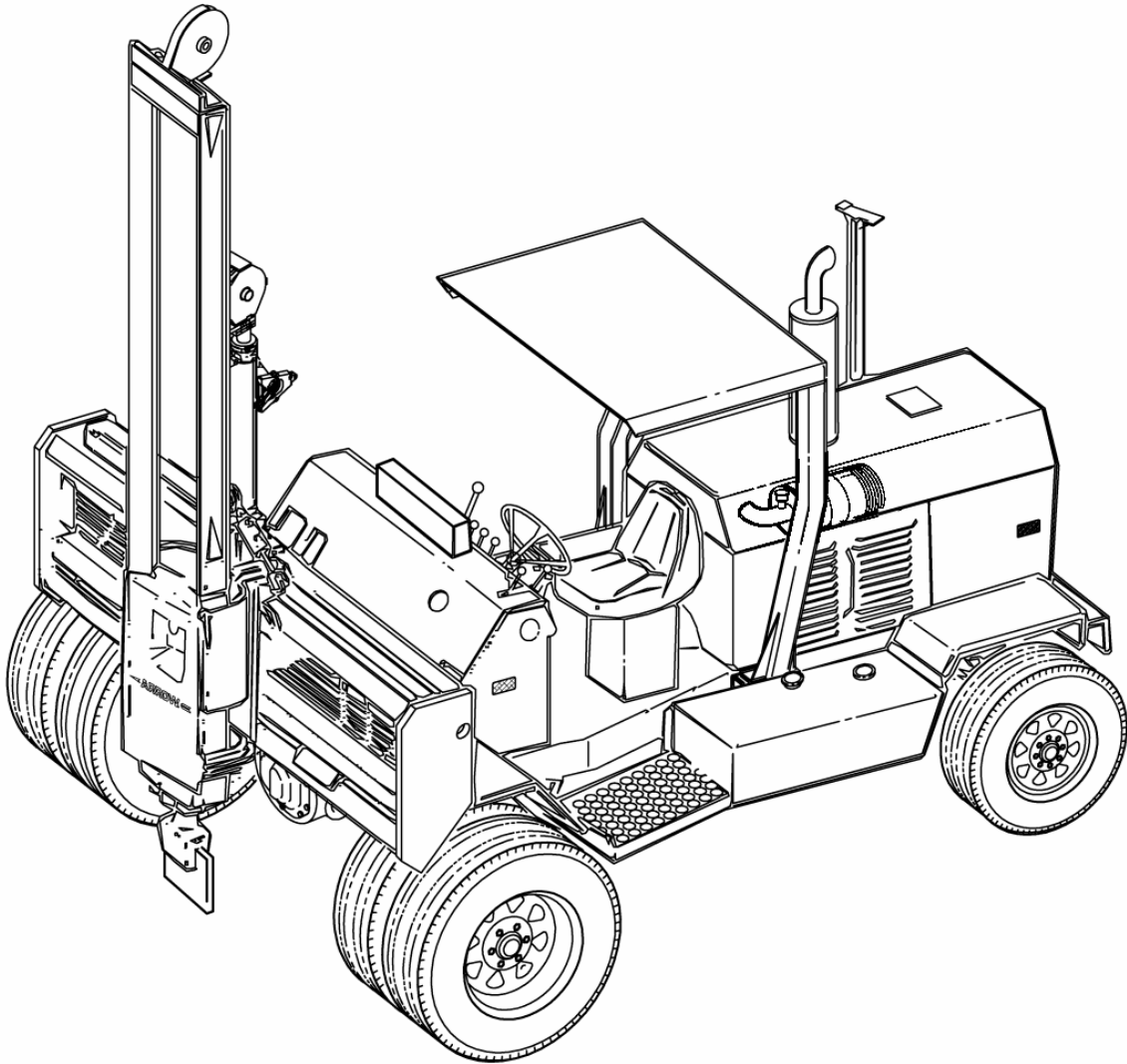
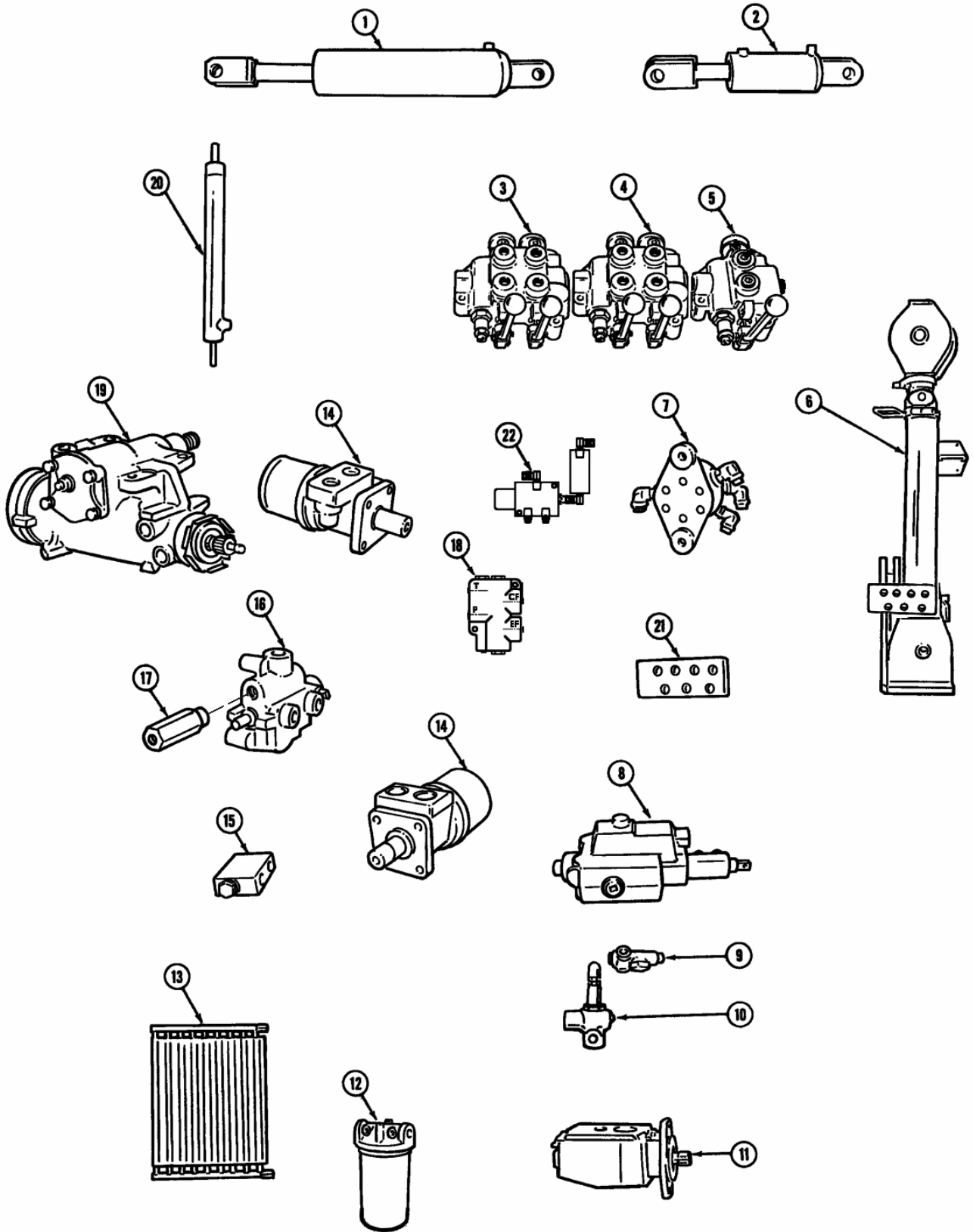


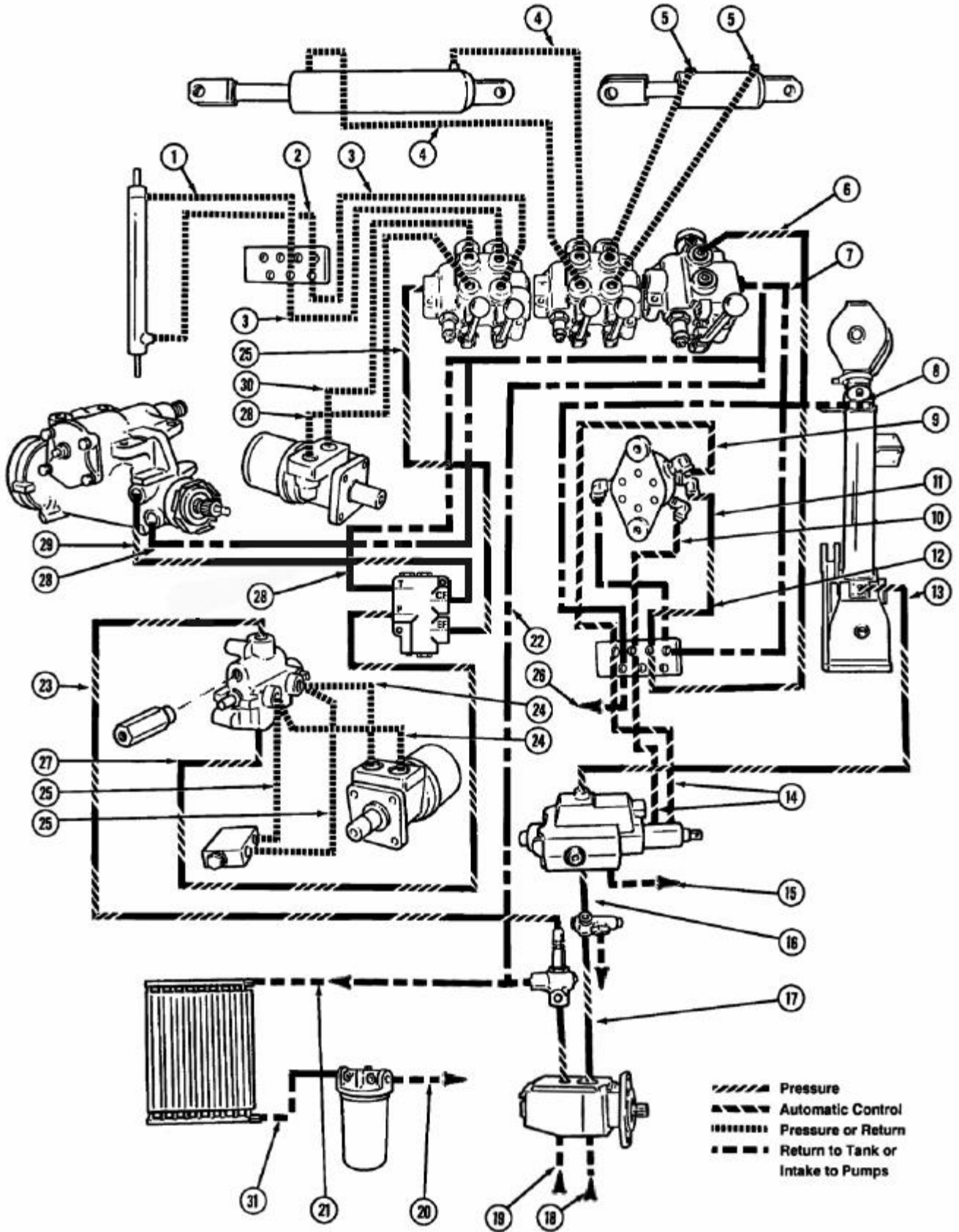
Figure 26  
Hydraulic Components



## Hydraulic Components

Key No.	Part No.	Qty.	Description	Comments
1	4001659	1	Layback Cylinder	S/N: 6000 - 6209
	4002134	1	Layback Cylinder	S/N: 6210 - ...
2	4001658	1	Tilt Cylinder	S/N: 6000 - 6104, 6106, 6107, 6109, 6110
	4002133	1	Tilt Cylinder	S/N: 6105, 6108, 6111 - ...
3	4001968	1	2-Spool Valve	
	4001970	1	1-Spool Valve	Electronic Stroke Option
4	4001968	1	2-Spool Valve	
	4001971	1	3-Spool Valve	Cable Adjust Option
5	4001967	1	Automatic Valve	
6	1000076	1	Automatic Cylinder	
	1000105	1	Lift Cylinder	Electronic
7	2000360	1	Pilot Valve	Mechanical Stroke Only
	4001805	1	Solenoid Valve	Electronic Stroke Option
	4001812	1	Oil Filter	Electronic Stroke Option
8	2000383	1	Hammer Valve	
9	4001607	1	Relief Valve	Hydraulic Tank
10	4001969	1	Relief Valve	Hydraulic Pump
11	4001460	1	Double Pump	
12	4001261	1	Hydraulic Filter	
	5000206	1	Replacement Filter	
13	4001181	1	Hydraulic Oil Cooler	
	4001530	12	Rubber Pad	
14	4001915	1	Hydraulic Motor	Side Shift
	4002032	1	Hydraulic Motor	Creeper Drive
15	4001286	1	Relief Valve	
16	4001209	1	Creeper Valve	
17	5000203	1	Bypass Valve	
18	*****	1	Flow Divider	S/N: 6000 - 6503
	4002188	1	Flow Divider	S/N: 6504
19	4001819	1	Power Steering Gear	
20	4001516	1	Remote Stroke Adjust Cylinder	
21	3000923	1	Manifold	Mechanical Stroke or Cable Adjust
22	4001805	1	Solenoid Valve	Electronic Stroke Option
	4001812	1	Filter	Electronic Stroke Option

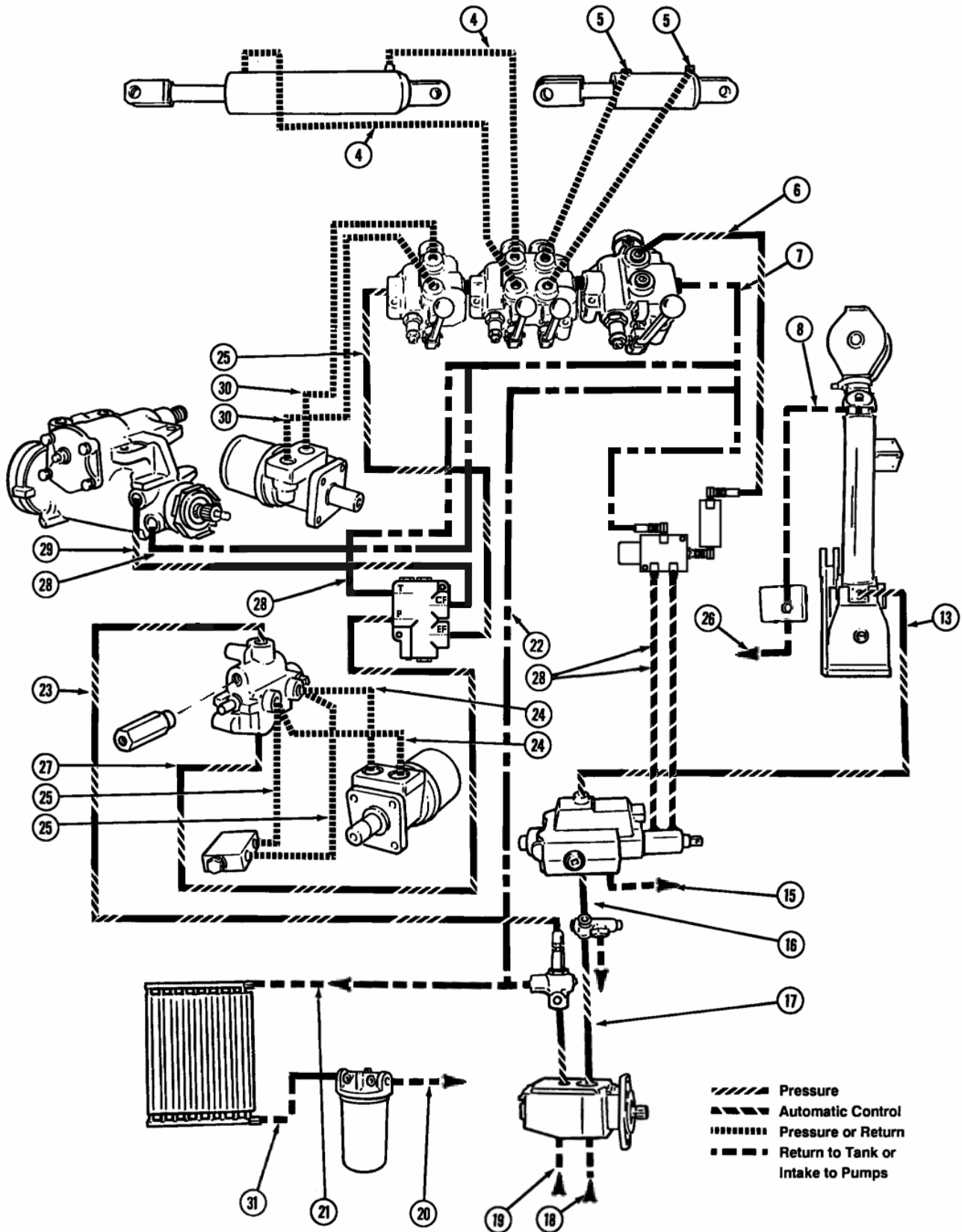
Figure 27  
Hydraulic Hoses - Mechanical Stroke



**Hydraulic Hoses  
Mechanical Stroke**

Key No.	Part No.	Qty.	Description	Comments
1	4001311	1	1/4 x 64" Hose	Mechanical Stroke Only
2	4001310	1	1/4 x 50" Hose	Mechanical Stroke Only
3	4001305	2	3/8 x 136" Hose	Mechanical Stroke Only
4	4001306	2	3/8 x 40" Hose	
5	4001307	2	3/8 x 130" Hose	
6	4001308	1	3/8 x 118" Hose	Mechanical Stroke Only
7	4001312	1	3/8 x 120" Hose	Mechanical Stroke Only
8	3001324A	1	Tube w/Nuts and Seals	
9	3001298A	1	Tube w/Nuts and Seals	Mechanical Stroke Only
10	3001299A	1	Tube w/Nuts and Seals	Mechanical Stroke Only
11	3001296A	1	Tube w/Nuts and Seals	Mechanical Stroke Only
12	3001297A	1	Tube w/Nuts and Seals	Mechanical Stroke Only
13	4000978A	1	Hose w/O-Rings	
	4001062	2	O-Ring	
14	4001309	2	3/8 x 112" Hose	Mechanical Stroke Only
15	4001318	1	2 x 38" Hose	Mechanical Stroke Only
	4002214	1	1 x 42" Hose	Electronic Stroke Control Option S/N: 6514 - . . .
16	4001605	1	1 x 46" Hose	
17	4001606	1	1 x 72" Hose	
18	4001319	1	2 x 46" Hose	S/N: 6000 - 6594
	4002221	1	1-1/2" x 44" Hose	S/N: 6595 - . . .
19	4001503	1	1-1/4 x 46" Hose	S/N: 6000 - 6594
	4002242	1	1-1/4 x 44" Hose	S/N: 6595 - . . .
20	4001451	1	3/4 x 24" Hose	
21	4001410	1	3/4 x 21" Hose	
22	4001320	1	3/4 x 140" Hose	
23	4001302	1	1/2 x 124" Hose	
24	4002040	2	1/2 x 80" Hose	
25	4001300	3	1/2 x 22" Hose	
26	4001313	1	3/8 x 170" Hose	
27	4001303	1	1/2 X 17" Hose	S/N 6000 - 6503
	4002189	1	1/2 x 40" Hose	S/N: 6504 - . . .
28	4001421	2	3/8 x 30" Hose	
29	4001423	1	3/8 x 24" Hose	
30	4001304	2	1/2 x 63" Hose	
31	4002083	1	3/4 x 46" Hose	

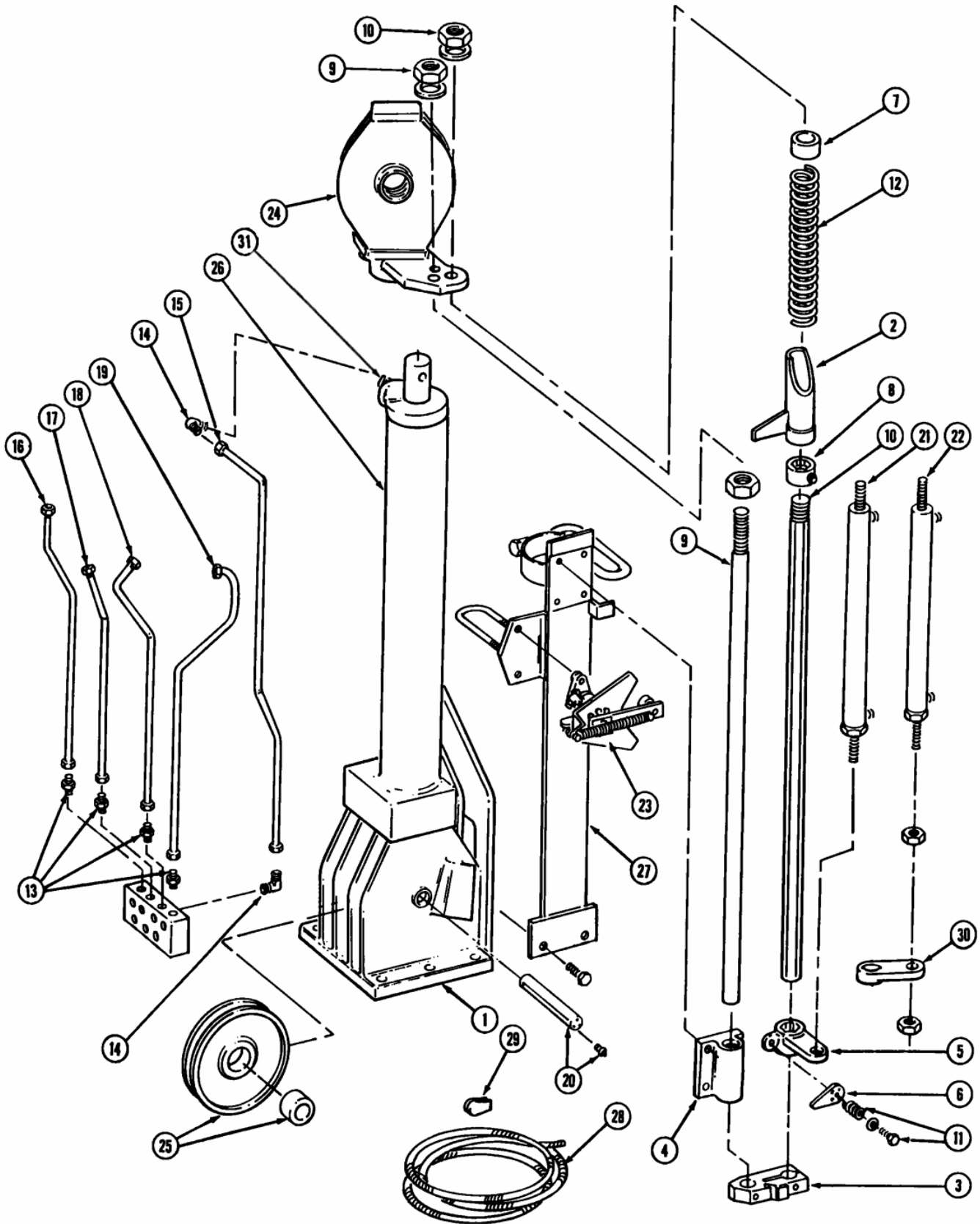
Figure 27a  
Hydraulic Hoses - Electronic Stroke



**Hydraulic Hoses  
Electronic Stroke**

Key No.	Part No.	Qty.	Description	Comments
1				
2				
3				
4	4001306	2	3/8 x 40" Hose	
5	4001307	2	3/8 x 130" Hose	
6				
7				
8	3001324A	1	Tube w/Nuts and Seals	
9				
10				
11				
12				
13	4000978A	1	Hose w/O-Rings	
	4001062	2	O-Ring	
14				
15				
	4002214	1	1 x 42" Hose	Electronic Stroke Control Option S/N: 6514 - ...
16	4001605	1	1 x 46" Hose	
17	4001606	1	1 x 72" Hose	
18	4001319	1	2 x 46" Hose	S/N: 6000 - 6594
	4002221	1	1-1/2" x 44" Hose	S/N: 6595 - ...
19	4001503	1	1-1/4 x 46" Hose	S/N: 6000 - 6594
	4002242	1	1-1/4 x 44" Hose	S/N: 6595 - ...
20	4001451	1	3/4 x 24" Hose	
21	4001410	1	3/4 x 21" Hose	
22	4001320	1	3/4 x 140" Hose	
23	4001302	1	1/2 x 124" Hose	
24	4002040	2	1/2 x 80" Hose	
25	4001300	3	1/2 x 22" Hose	
26	4001313	1	3/8 x 170" Hose	
27	4001303	1	1/2 X 17" Hose	S/N 6000 - 6503
	4002189	1	1/2 x 40" Hose	S/N: 6504 - ...
28	4001421	2	3/8 x 30" Hose	
29	4001423	1	3/8 x 24" Hose	
30	4001304	2	1/2 x 63" Hose	
31	4002083	1	3/4 x 46" Hose	

Figure 28  
Automatic Cylinder

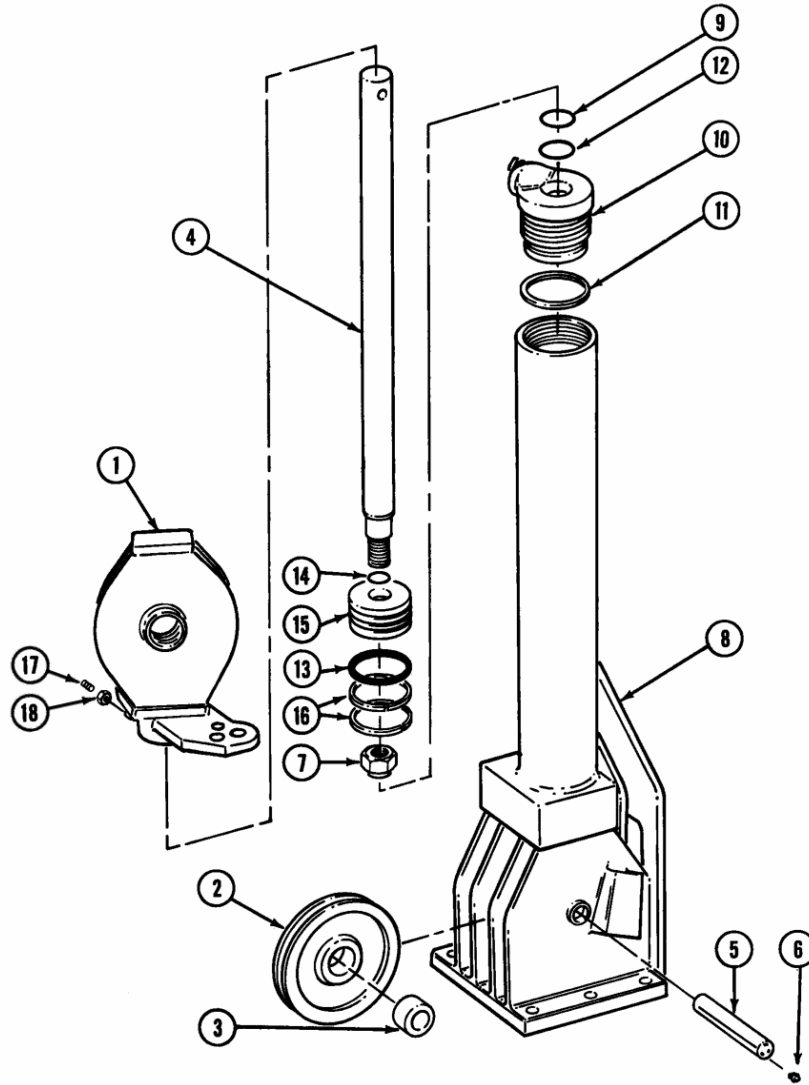


## Automatic Cylinder

Key No.	Part No.	Qty.	Description	Comments
1	1000076	1 *	Automatic Cylinder	Items 2-21, 23-27
	1000105	1	Lift Cylinder, Elect. Stroke	Items 4, 9, 14, 15, 20 & 24-27
	1000119	1	Auto Cylinder w/Cable Adjust.	Items 2-7, 9-27, 30
2	2000364	1 *	Upper Trip Finger	
3	2000290A	1 *	Guide Rod Spacer w/Hardware	
4	3001291A	1	Guide Rod Bearing w/Grease Fit	
5	2000366A	1 *	Trip Finger Collar w/Detent Balls	
	4000490	2 *	Detent Ball	
6	3001288	1 *	Lower Trip Finger	
7	3001313	1 *	Hex Rod Spacer	
8	2000365	1 *	Hex Collar w/Hardware	
9	3001290	1	Round Guide Rod	
	5550025	2	1" - 14 Hex Nut	
	5555212	1	1" Lock Washer	
10	3001292	1 *	Hex Guide Rod	
	5550021	1 *	3/4" - 16 Hex Nut	
	5555211	1 *	3/4" Lock Washer	
11	4001196	1 *	Spring	
	3000401	1 *	Spring Washer	
	5540210	1 *	3/8" - 16 x 2-1/4" Bolt	
	5550612	1 *	3/8" - 16 Jam Nut	
12	4001202	1 *	Spring	
13		*	Brass Tube Fitting	S/N: 6000 - 6916 - R/B 4002304
	5000547	*	Seal Only for Brass Nut	S/N: 6000 - 6916
	5000548	*	Brass Nut Only	S/N: 6000 - 6916
	4002304	4 *	Steel Tube Fitting	S/N: 6917 - ...
	5000838	4 *	Seal Only	S/N: 6917 - ...
	5000839	4 *	Steel Nut Only	S/N: 6917 - ...
14		2	Brass Elbow	S/N: 6000 - 6916 - R/B 4002303
	5000547	2	Seal Only	S/N: 6000 - 6916
	5000548	2	Nut Only	S/N: 6000 - 6916
	4002303	2	Steel Elbow	S/N: 6917 - ...
	5000838	2	Seal Only	S/N: 6917 - ...
	5000839	2	Steel Nut Only	S/N: 6917 - ...
15	3001324A	1	Tube w/ Brass Nuts and Seals	
	3001298S	1 *	Tube w/ Steel Nuts and Seals	
16	3001298A	1 *	Tube w/ Brass Nuts and Seals	
	3001298S	1 *	Tube w/ Steel Nuts and Seals	
17	3001299A	1 *	Tube w/ Brass Nuts and Seals	
	3001299S	1 *	Tube w/ Steel Nuts and Seals	
18	3001296A	1 *	Tube w/ Brass Nuts and Seals	
	3001296S	1 *	Tube w/ Steel Nuts and Seals	
19	3001297A	1 *	Tube w/ Brass Nuts and Seals	
	3001297S	1 *	Tube w/ Steel Nuts and Seals	
20	3000474A	2	Sheave Pin w/Grease Fittings	
	4000354	6	Grease Fitting	
21	4001516	1 *	Remote Stroke Adjust Cylinder	
	5000414	1 *	Seal Kit for 4001516 & 4001573	
	5000412	1 *	Piston Rod	
22	4001573	1 *	Cable Adjust Cylinder	Cable Adjust Option Only
	5000450	1 *	Piston Rod	
23	2000360	1 *	Pilot Valve	
24	2000359	1	Upper Sheave Housing	
25	2000100	6	Lift Cylinder Sheave w/Bearing	
	3001329	6	Sheave Only	
	4000256	6	Bearing Only	
26	2000358	1 *	Lift Cylinder	
	2000643	1	Lift Cylinder	Electronic Control Option
27	2000363	1	Attachment Bracket	
28	4001024	1	3/8" x 51" Cable	Fiber Center
	2000616	1	3/8" x 250' Cable on Spool	
29	3001248	1	Cable Wedge	
30	2000243	1	Cable Adjust Finger	Cable Adjust Option Only
31	4001877	1	3/8-90 Street Elbow	

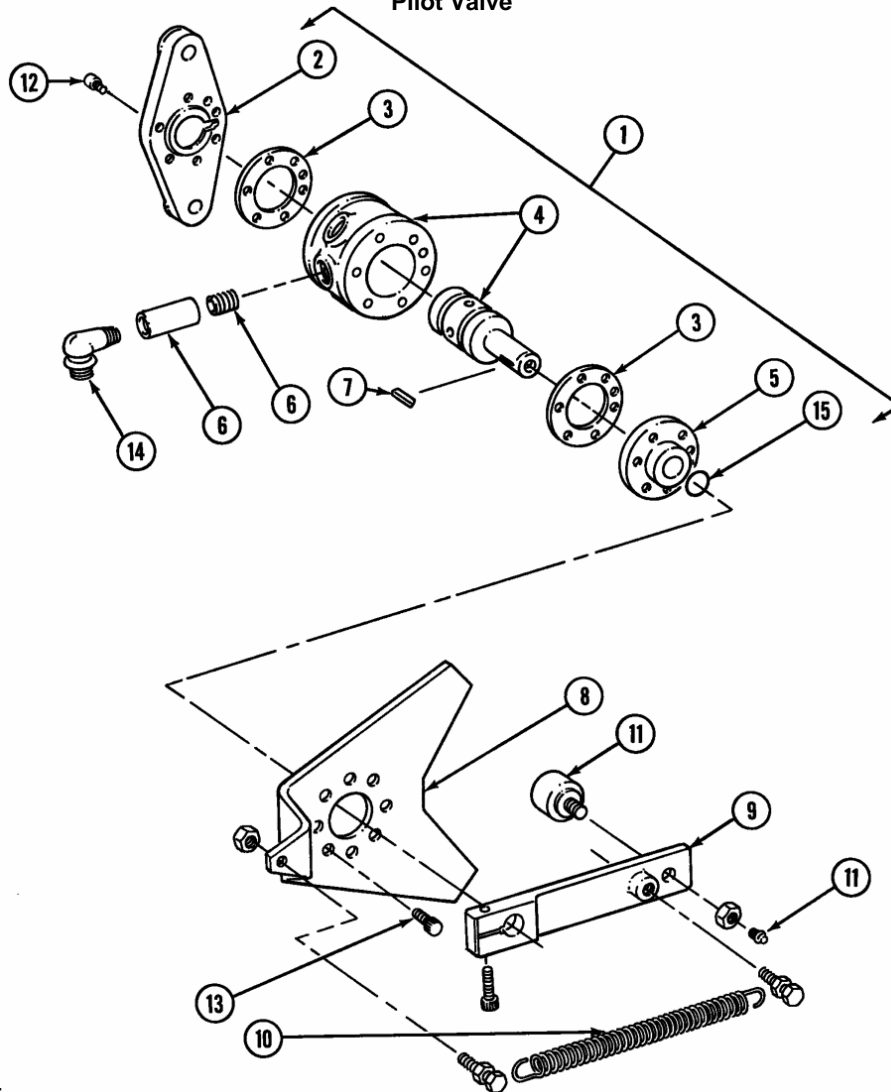
..... \* Used on Mechanical Stroke Only .....

Figure 29  
Hammer Lift Cylinder



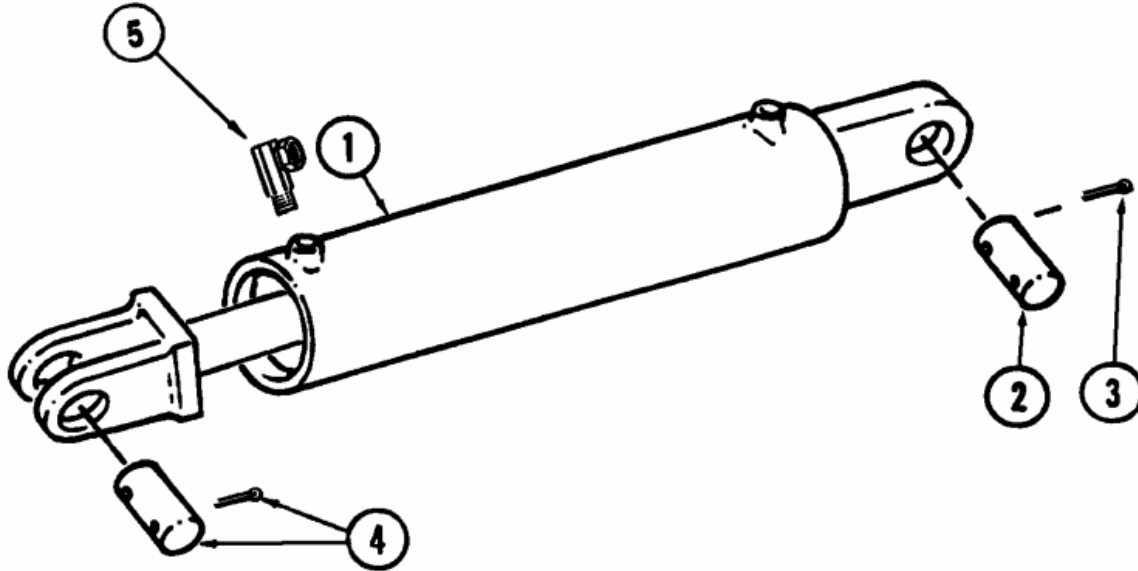
Key No.	Part No.	Qty.	Description	Comments
1	2000359	1	Upper Sheave Housing	
2	3001329	6	Sheave Only	
3	4000256	6	Bearing Only	
	2000100	1	Sheave w/Bearing	
4	3001321	1	Piston Rod	
5	3000474A	2	Sheave Pin w/Grease Fitting	
6	4000354	6	Grease Fitting	
7	4001207	1	Piston Nut	
8	2000358	1	Lift Cylinder and Base	Mechanical Stroke - Items 4, 7, 8, 10, 15
	2000643	1	Lift Cylinder and Base	Electronic Stroke - Items 4, 7, 8, 10, 15
9	4000807	1	Wiper	
10	3001325	1	Cylinder Nut	
11	4001092	1	O-Ring	
12	4001927	1	Seal	
13	4002005	1	Seal	
14	4001059	1	O-Ring	
15	3001322	1	Piston	
16	4000806	2	Piston Ring	
17	5530894N	1	Set Screw	
18	5550616	1	Jam Nut	
	5000665	1	Seal Kit	Items 9, 11, 12, 13, 14 & 16

Figure 30  
Pilot Valve



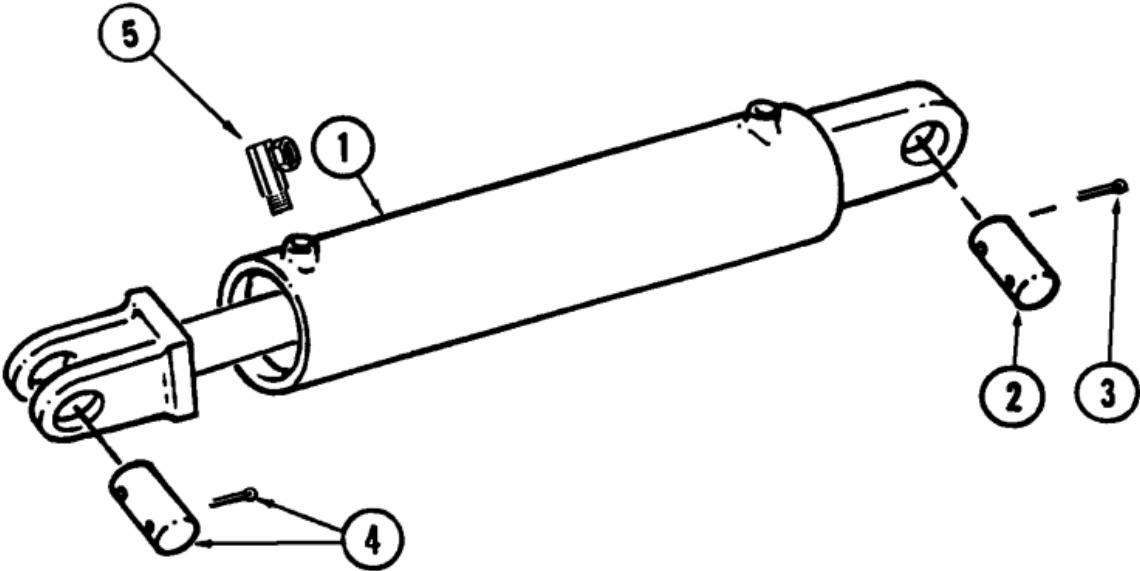
Key No.	Part No.	Qty.	Description	Comments
1	2000360	1	Pilot Valve	
2	3001271	1	Valve Base	
3	3000410	2	Gasket	
4	2000612	1	Valve Body and Spool	
5	3001273	1	Valve Cap	
6	4001879	1	Coupling	
	4001861	1	Nipple	
7	4000492	1	Woodruff Key	
8	3001275	1	Valve Bracket	
9	3000846A	1	Trip Lever w/Bolt	
10	4000841	1	Trip Lever Spring	
11	2000362	1	Cam Follower w/Grease Fitting	
	4000169	1	Grease Fitting	
12	5000645	1	#10 x 5/8" Socket Cap Screw	Set of 6
13	5000647	1	#10 x 7/8" Cap Screw & Lockwasher	Set of 6
14		-	Brass Elbow w/Nut and Seal	S/N: 6000 - 6916 - R/B 4002307
	5000547	-	Seal Only for Brass Nut	S/N: 6000 - 6916
	5000548	-	Brass Nut Only	S/N: 6000 - 6916
14	4002307	4	Steel Elbow w/Nut and Seal	S/N: 6917 - ...
	5000838	4	Seal Only	S/N: 6917 - ...
	5000839	4	Steel Nut Only	S/N: 6917 - ...
15	4001043	1	O-Ring	

Figure 31  
Tilt Cylinder



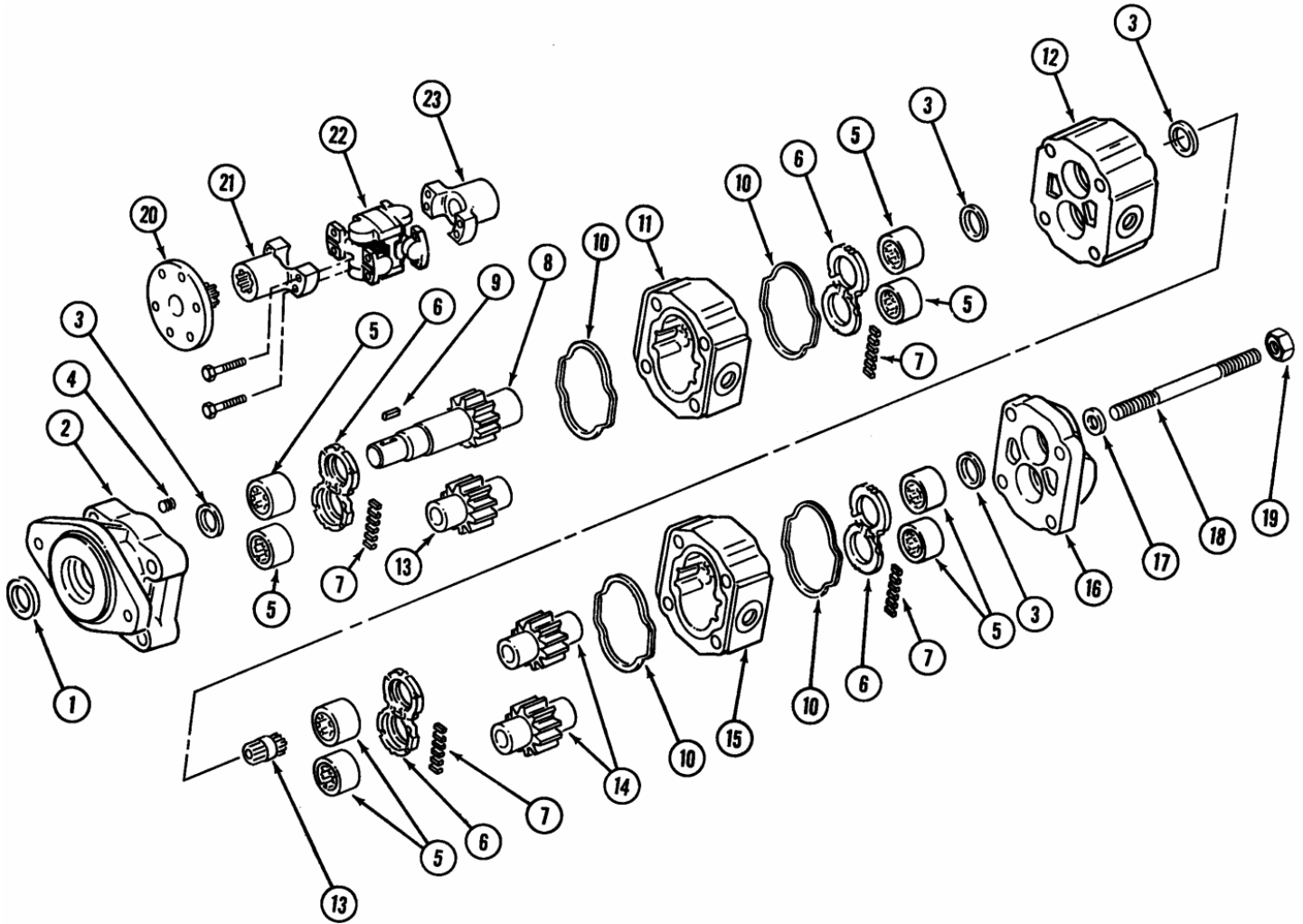
Key No.	Part No.	Qty.	Description	Comments
1	*****	1	Tilt Cylinder	S/N: 6000 - 6104, 6106, 6107, 6109, 6110
	5000529	1	Tilt Cylinder Seal Kit	
	4002133	1	Tilt Cylinder	S/N: 6105, 6108, 6111 - . . .
	5000764	1	Tilt Cylinder Seal Kit	
2	3002342	1	Pin	
3	5556691	2	1/4" x 2-1/4" Cotter Pin	
4	4001531	1	Pin	
	5556692	2	1/4" x 2-1/2" Cotter Pin	
5	4001290	2	3/8-90° Swivel	

Figure 32  
Layback Cylinder



Key No.	Part No.	Qty.	Description	Comments
1	*****	1	Layback Cylinder	S/N: 6000 - 6209
	5000535	1	Layback Cylinder Seal Kit	
	4002134	1	Layback Cylinder	S/N: 6210 ...
	5000765	1	Layback Cylinder Seal Kit	
2	3002342	1	Pin	
3	5556691	2	1/4 x 2-1/4" Cotter Pin	
4	4001531	1	Pin	
	5556692	2	1/4" x 2-1/2" Cotter Pin	
5	4000224	2	3/8-90° Restrictor Swivel	

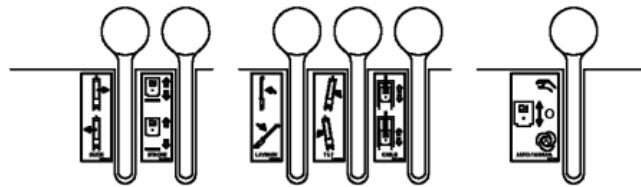
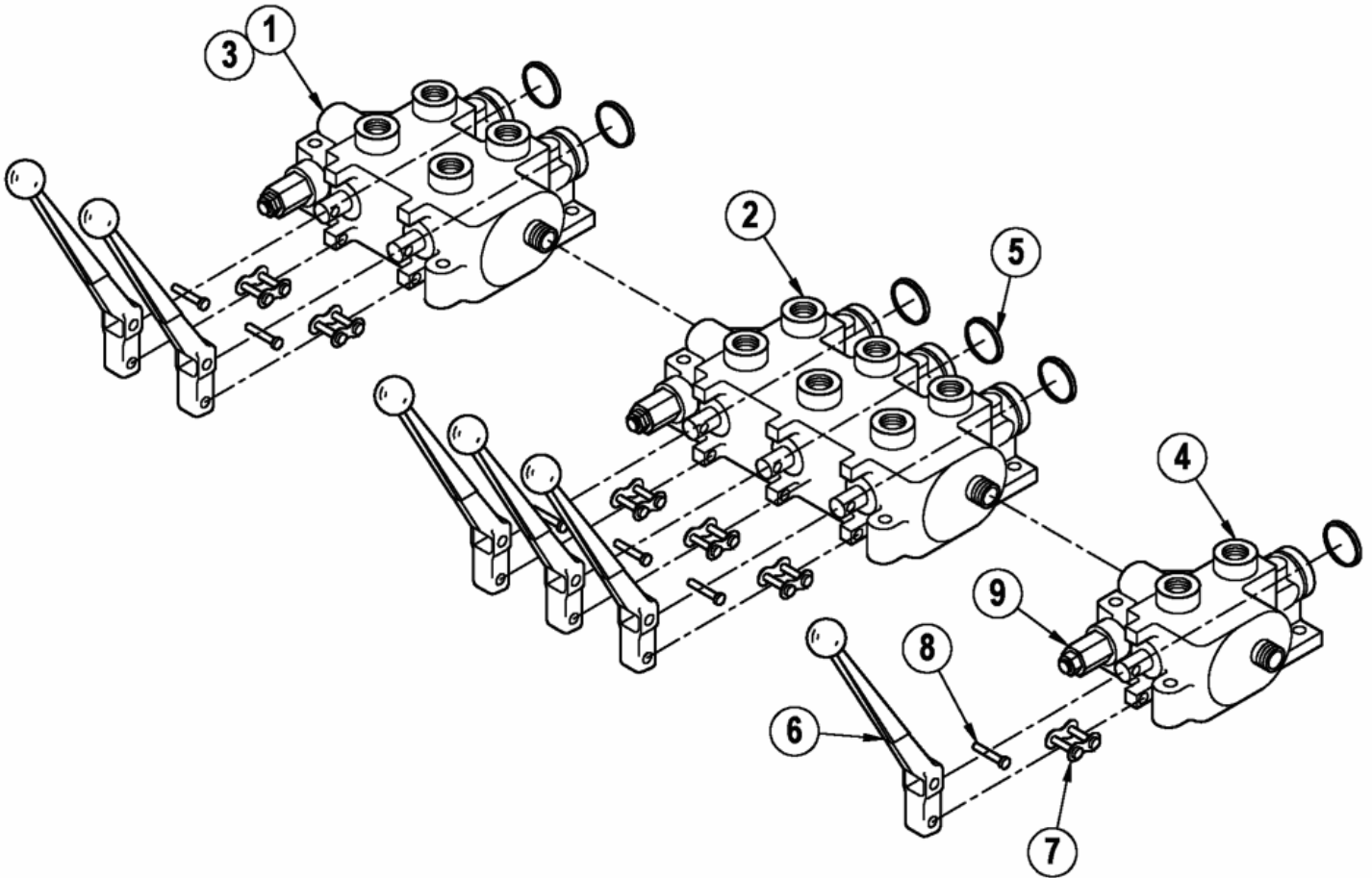
Figure 33  
Hydraulic Pump



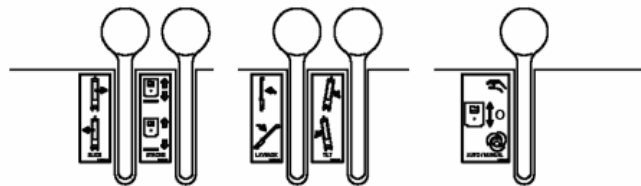
## Hydraulic Pump

Key No.	Part No.	Qty.	Description	Comments
	4001460	1	Hydraulic Double Pump	
	5000542	1	Seal Kit	Includes items: 1, 7 & 10
1	5000425	1	Double Lip Seal	
2	5000426	1	Shaft End Cover	
3	5000427	4	Ring Seals	
4	5000428	1	Plug	
5	5000429	8	Roller Bearings	
6	5000430	4	Thrust Plates	
7	5000431	2	Pocket Strip	
8	5000432	1	Integral Shaft & Gear	
9	5000433	1	Key	
10	5000434	4	Gasket Seals	
11	5000435	1	Gear Housing	
12	5000436	1	Bearing Carrier	
13	5000437	1	Connecting Shaft	
14	5000438	1	Matched Gears	
15	5000439	1	Gear Housing	
16	5000440	1	Port End Cover	
17	5000441	4	Washers	
18	5000442	4	Studs	
19	5000443	4	Hex Nuts	
20	2000895A	1	Pump Adapter w/ Hardware	
21	4001020	1	Splined Yoke	
22	4001022A	1	Double U-Joint w/Screws	
23	4001472A	1	Keyed Yoke w/Set Screw	

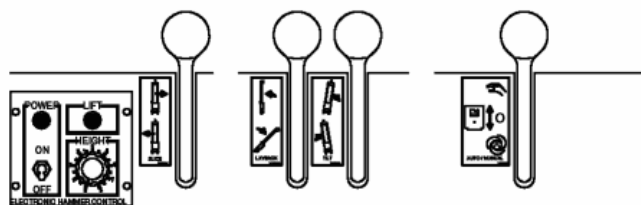
Figure 34  
Control Valves



MECHANICAL STROKE CONTROL WITH CABLE ADJUST



MECHANICAL STROKE CONTROL

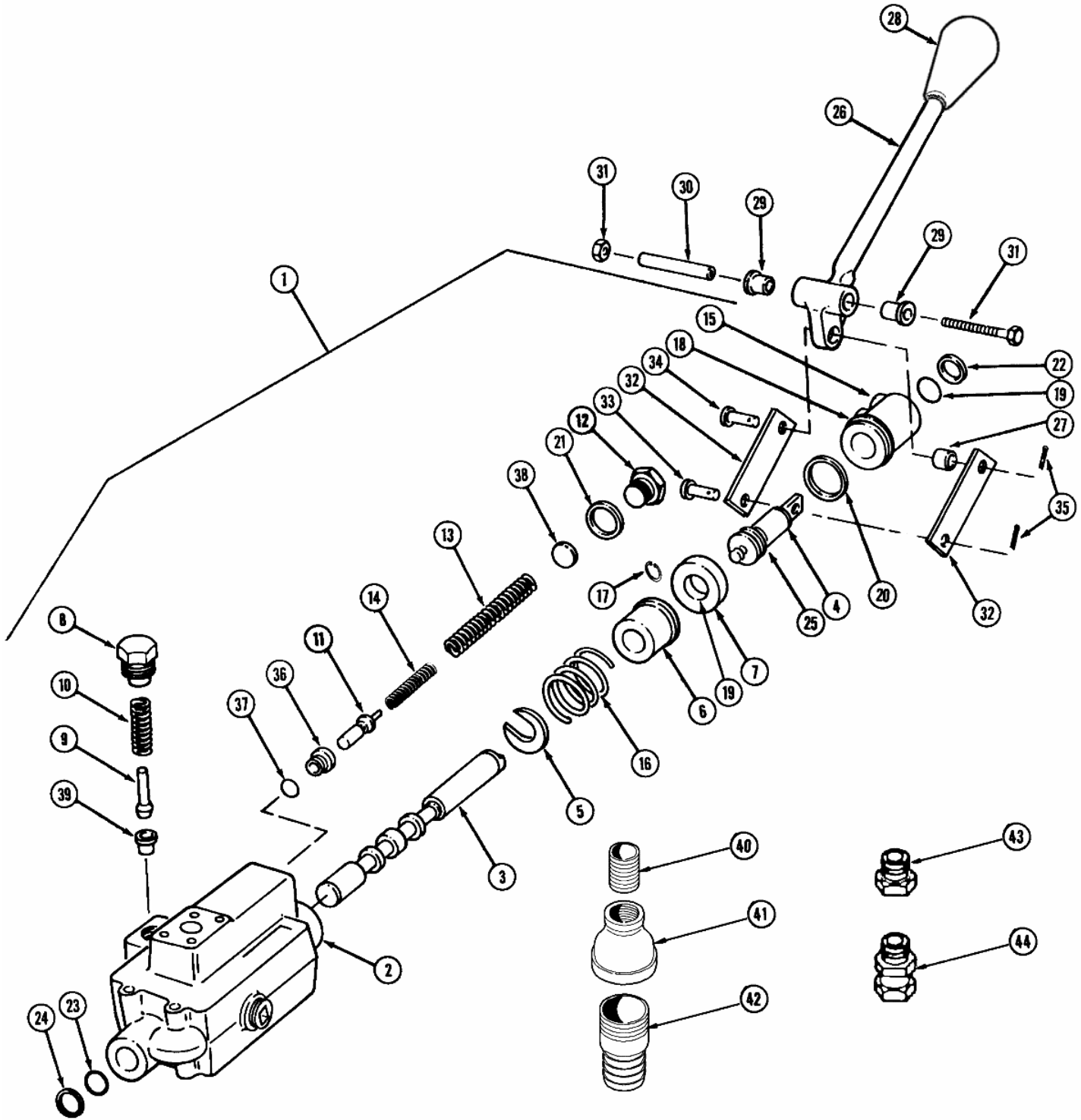


ELECTRONIC STROKE CONTROL

## Control Valves

Key No.	Part No.	Qty.	Description	Comments
1	4001968	2	2-Spool Valve	
2	4001971	1	3-Spool Valve	Cable Adjust Option
3	4001970	1	1-Spool Valve	Electronic Stroke
4	4001967	1	Automatic Valve	
5	5000230	2	Spool Seal - Two Per Spool	
6	5000245	1	Handle	
7	5000229	1	Handle Link	
8	5000256	1	Handle Pin	
9	5000832	1	Relief Valve Seal Kit	

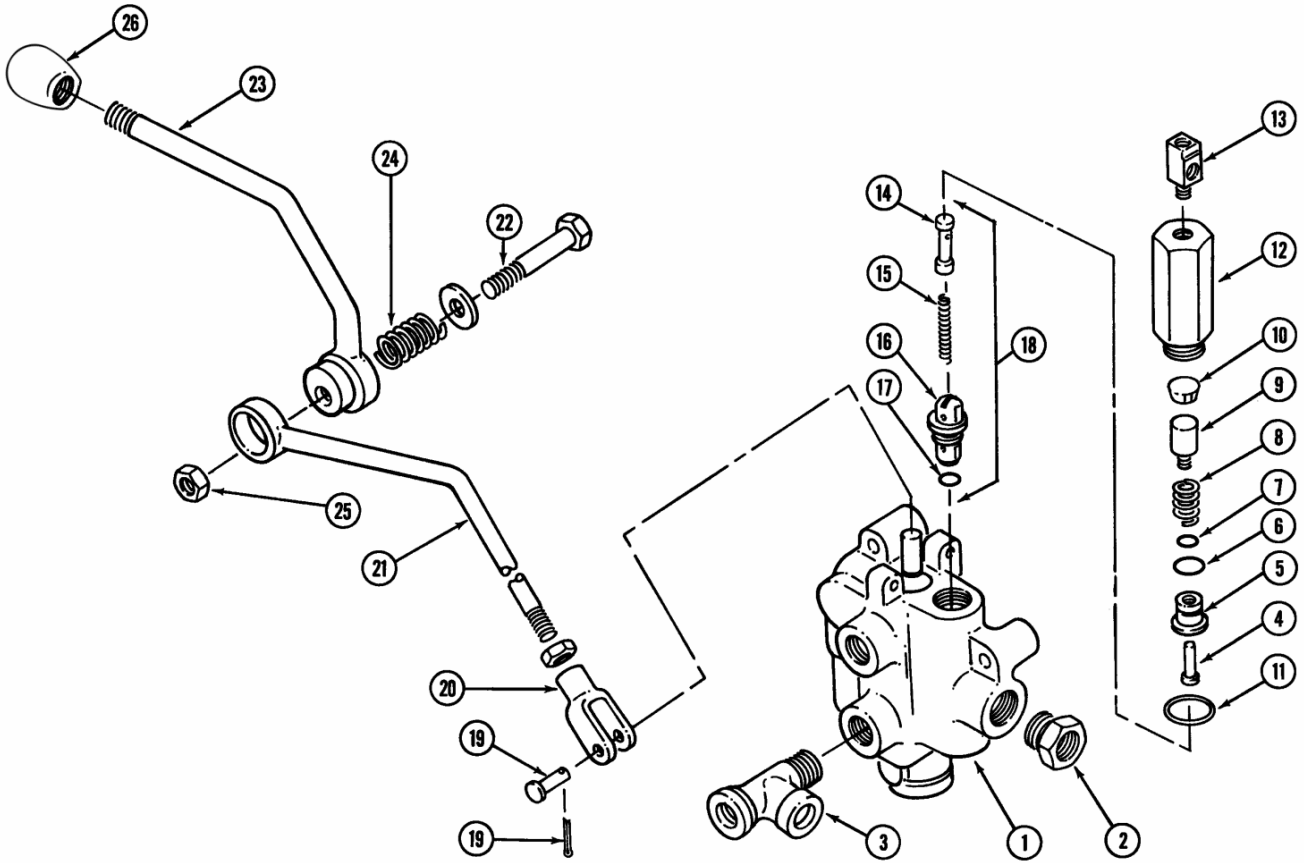
Figure 35  
Hammer Control Valve



## Hammer Control Valve

Key No.	Part No.	Qty.	Description	Comments
1	2000383	1	Hammer Control Valve	Handle and Linkage not included
	5000335	1	Seal Kit	Items 19-25 & 37
2	*****	1	Valve Body	
3	*****	1	Spool	
4	3001342	1	Servo Spool	
5	3001333	1	C-Washer	
6	3001334	1	Stop Sleeve	
7	3001174	1	Spool Guide	
8	3001999	1	Check Valve Plug, SAE 16	
	4001895	1	O-Ring	
9	3001335	1	Check Valve	
10	4001216	1	Check Valve Spring	
11	3001337	1	Relief Valve	
12	3001998	1	Relief Value Nut, SAE 14	
13	4001217	1	Outer Spring	
14	4001218	1	Inner Spring	
15	3001331	1	Servo Cylinder	
16	4001219	1	Valve Spool Spring	
17	4001212	1	Snap Ring	
18	4001213	1	Snap Ring	
19	4001058	2	O-Ring	
20	4001068	2	O-Ring	
21	4001894	1	O-Ring	
22	4001954	1	Oil Seal	
23	4001062	1	O-Ring	
24	4001955	1	Oil Seal	
25	4001220	1	Servo Piston Ring	
26	2000268	1	Valve Handle w/Bushing	
27	4000796	1	Bushing	
28	4001169	1	Ball Knob	
29	4000777	2	Nylon Bushing	
30	3001230	1	Shaft	
31	5540469	1	1/2 - 20 x 5" Bolt	
	5550417	1	1/2 - 20 Lock Nut	
32	3001330	2	Handle Link	
33	4001160	1	7/16 Clevis Pin	
34	4001362	1	5/8 Clevis Pin	
35	5556536	2	3/32 x 1" Cotter Pin	
36	3001343	1	Relief Valve Seat	
37	4001044	1	O-Ring	
38	3001344	1	Pressure Adjusting Shim	
39	3002006	1	Threaded Seat	
40	4001869	1	1-1/4" Close Nipple	
41	4001856	1	2" x 1-1/4" Bell Reducer	
42	4001273	1	2" Hose Nipple	
	2000667	1	2" Restricted Hose Nipple	Electronic Stroke Control S/N: 6000 - 6513
43	4002212	1	1-1/4" x 1" Reducer Bushing	Electronic Stroke Control S/N: 6514 - . . .
44	4000894	1	1" Straight Swivel	Electronic Stroke Control S/N: 6514 - . . .

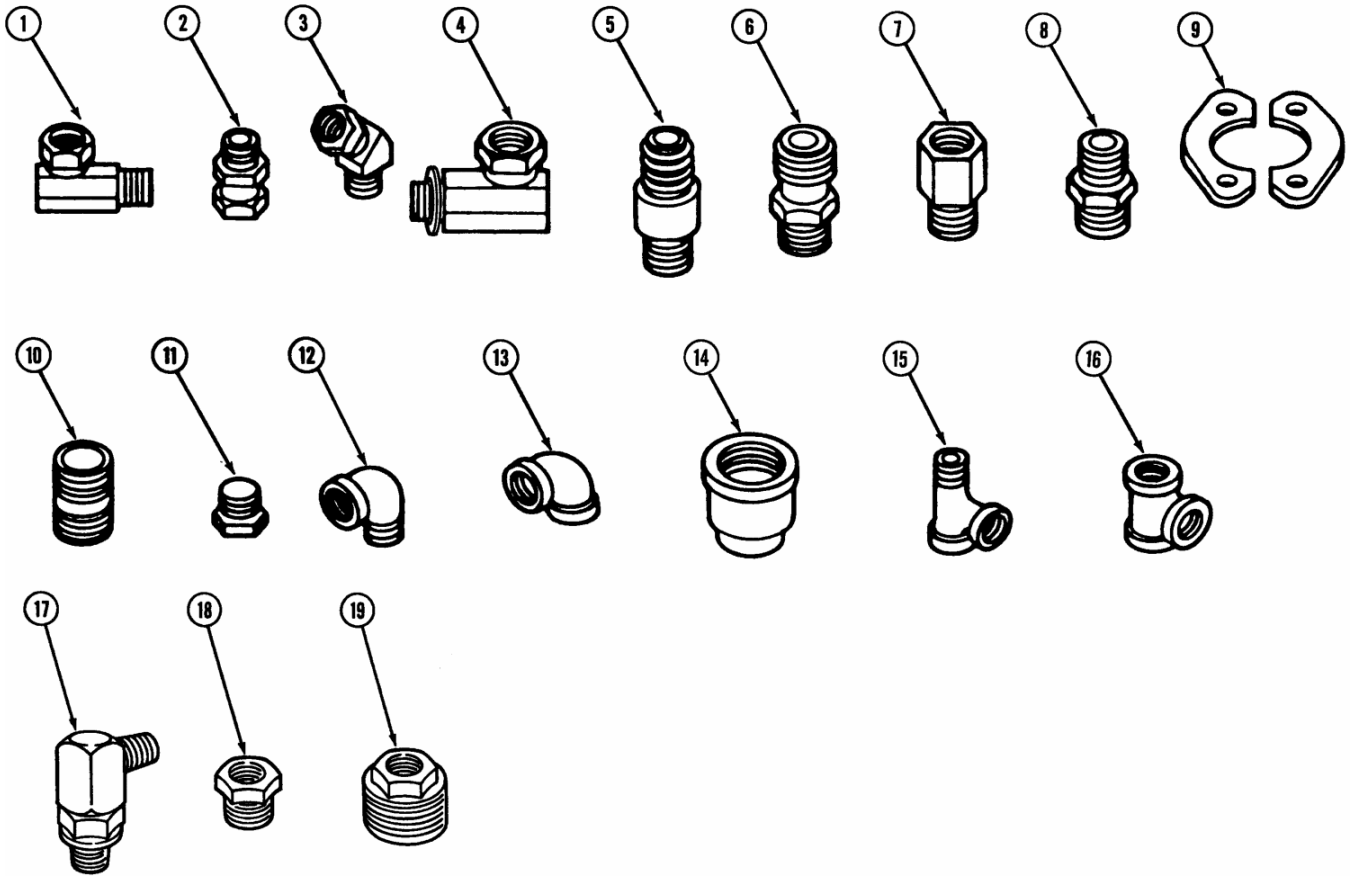
Figure 36  
Creeper and Bypass Valve



## Creeper and Bypass Valve

Key No.	Part No.	Qty.	Description	Comments
1	4001209	1	Creeper Valve	
	2000594	1	Valve Assembly	Items 1-17
2	4001857	2	3/4" x 1/2" Reducer	
3	4001873	2	1/2" Street Tee	
4	2000373	1	Plunger	
5	3001316	1	Cylinder Head	
6	4001042	1	Outer O-Ring	
7	4001034	1	Inner O-Ring	
8	4001198	1	Large Spring	
9	3001317	1	Piston	
10	4001197	1	Piston Cup	
11	4001201	1	Seal	
12	3001318	1	Bypass Cylinder	
	5000203	1	Bypass Valve	Items 4-10, 12
	2000372	1	Bypass Assembly	Items 4-17
13	4001200	1	Brake Line Tee	
14	*****	1	1/2" Spool	
15	4001199	1	Small Spring	
16	*****	1	1/2" Cylinder	
17	4001043	1	O-Ring	
18	5000202	1	Cylinder Assembly	Items 14-18
19	4000535	1	Clevis Pin	
	5556536	1	3/32 x 1" Cotter Pin	
20	4750133	1	Clevis	
21	2000080	1	Control Rod	
	5550617	1	1/2" - 20 Jam Nut	
22	5540446	1	1/2" - 20 x 3-3/4" Bolt	
23	2000375	1	Control Handle	
24	4001204	1	Spring	
25	5550417	1	1/2" - 20 Lock Nut	
26	4001206	1	Ball Knob	
27	5000230	2	Spool Seal	
28	5000338	1	Creeper Valve Seal Kit	Items 6, 11, 17, 27

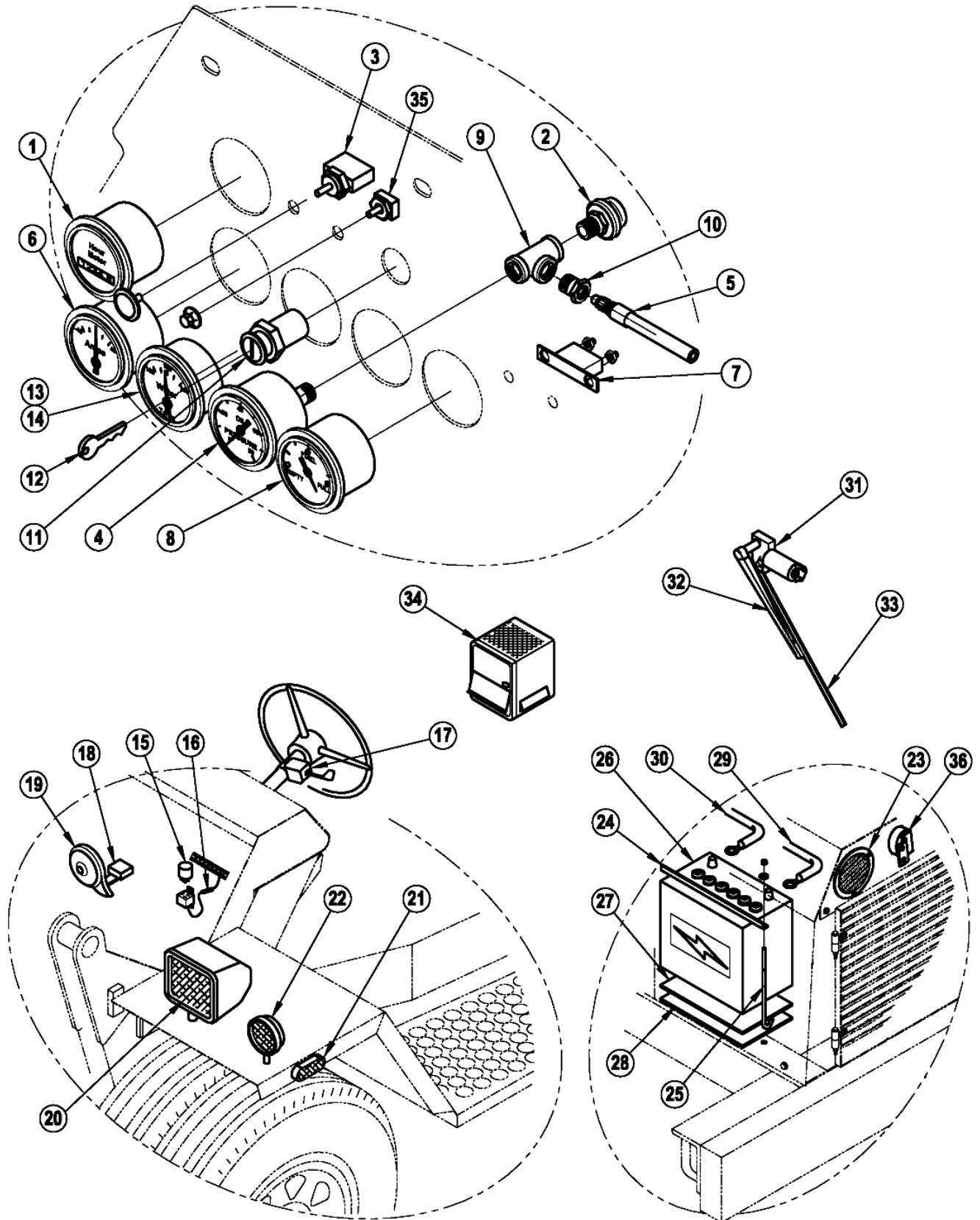
Figure 37  
Hydraulic Fittings



## Hydraulic Fittings

Key No.	Part No.	Qty.	Description	Comments
1	4000064	...	1/4" - 90° Swivel	
	4001806	...	1/4" x 3/8" - 90° Swivel	
	4001293	...	3/8" x 1/4" - 90° Swivel	
	4001290	...	3/8" - 90° Swivel	
	4000224	...	3/8" - 90° Restrictor	For layback cylinder
	4000347	...	1/2" x 3/8" - 90° Swivel	
	4000122	...	1/2" - 90° Swivel	
	4000448	...	3/4" - 90° Swivel	
2	4001296	...	1/4" x 3/8" Swivel	
	4000748	...	3/8" Swivel	
	4000392	...	1/2" x 3/8" Swivel	
	4000260	...	1/2" Swivel	
	4000772	...	3/4" Swivel	
	4000894	...	1" Swivel	
3	4001547	...	1/2" - 45° Swivel	
	4001494	...	3/4" - 45° Swivel	
	4001404	...	1" - 45° Swivel	
4	4001289	...	1" - 90° Swivel	
5	4001272	...	1-1/4" Hose Nipple	
	4001273	...	2" Hose Nipple	
	4002223	...	Hose Nipple	S/N: 6593, 6594, 6596 - ...
6	4001550	...	1-1/4" Hose Nipple	
	2000418	...	2" Hose Nipple	
	4002222	...	1-1/2" Hose Adapter	S/N: 6593, 6594, 6596 - ...
7	4001492	...	3/4" Adapter	
	4001488	...	1" Adapter	
8	4001489	...	1-1/4" Adapter	
9	4001288	...	Split Flange Half	
10	4001860	...	1/8" x 2" Nipple	
	4001861	...	1/4" Close Nipple	
	4001863	...	3/8" Close Nipple	
	4001600	...	1/2" Close Nipple	
	4001864	...	1/2" x 2" Nipple	
	4001865	...	1/2" x 3" Nipple	
	4001866	...	3/4" Close Nipple	
	4001867	...	3/4" x 1-3/4" Nipple	
	4001868	...	1" Close Nipple	
	4001869	...	1-1/4" Close Nipple	
	4001596	...	2" x 4" Nipple	
11	4001881	...	1/8" Plug	
	4001884	...	1/4" Plug	
	4001882	...	1/2" Plug	
	4001889	...	1/2" x 3/8" Hex Bushing	
12	4001568	...	1/4" - 90° Street Elbow	
	4001877	...	3/8" - 90° Street Elbow	
	4001548	...	3/4" - 90° Street Elbow	
	4001878	...	1-1/4" - 90° Street Elbow	
13	4001875	...	1/4" - 90° Elbow	
	4001876	...	1/2" - 90° Elbow	
	4001543	...	1" x 1-1/4" - 90° Elbow	
	4001597	...	2" - 90° Elbow	
14	4001856	...	2" x 1-1/4" Bell Reducer	
15	4001873	...	1/2" Street Tee	
	4001549	...	3/4" Street Tee	
	4001874	...	2" Street Tee	
16	4001870	...	1/8" Tee	
	4001871	...	1/2" Tee	
	4001599	...	3/4" x 3/4" x 1/2" Tee	
17	4002023	...	1/2" - 90° Swivel	
18	4001857	...	3/4" x 1/2" Hex Bushing	
19	4001858	...	2" x 1" Hex Bushing	
	4002225	...	2" x 1-1/2" Hex Bushing	S/N: 6593, 6594, 6596 - ...

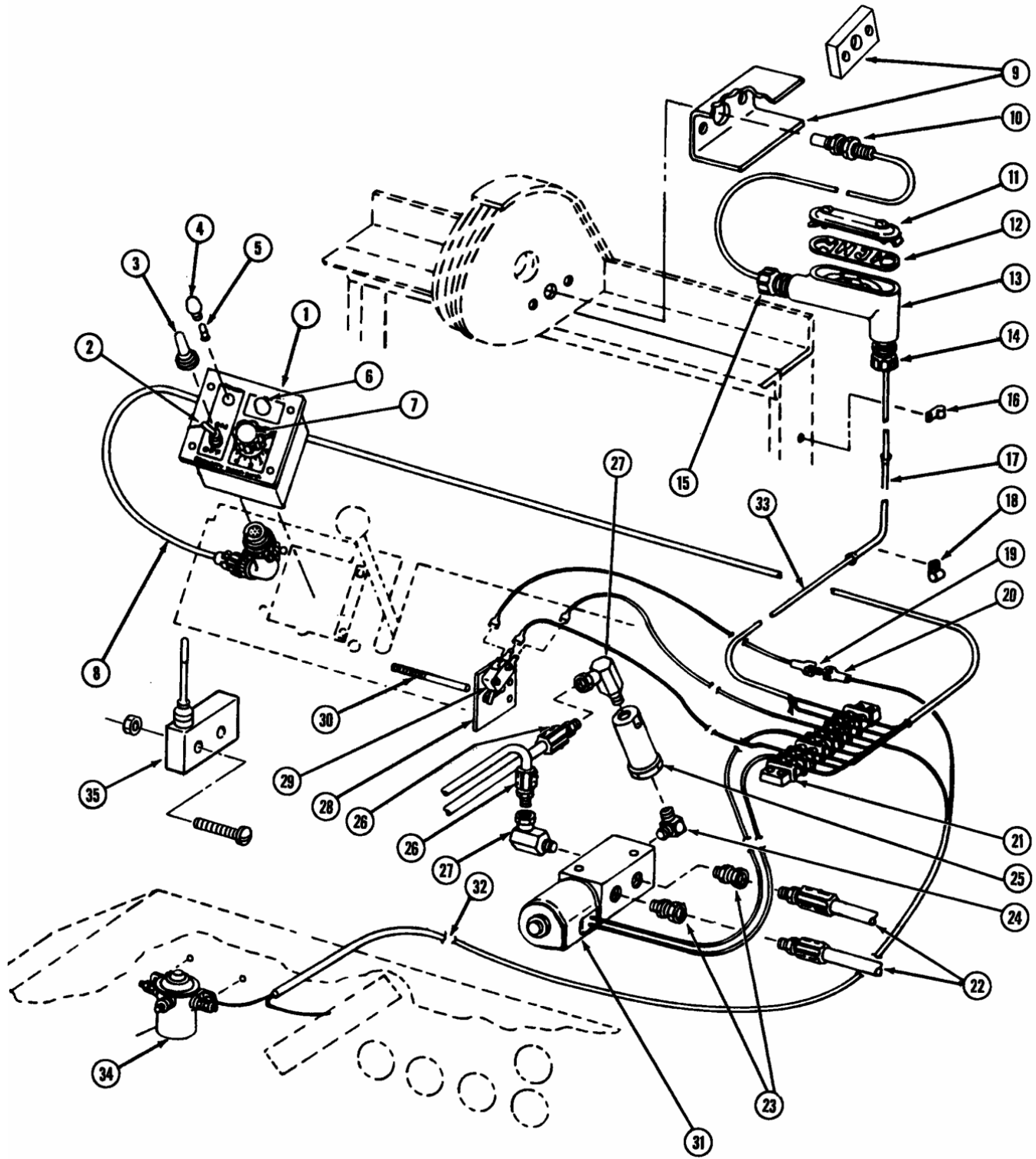
Figure 38a  
Instruments & Lighting



## Instruments &amp; Lighting

Key No.	Part No.	Qty.	Description	Comments
<b>Firewall</b>				
1	400166	1	Hour Meter	Firewall Mounted
	4002258	1	Hour Meter	Front Panel Mounted
2	400646	1	Pressure Switch	
3	400656	1	Headlight Switch	
4	4001186	1	Oil Pressure Gauge	Firewall Mounted
	4002256	1	Oil Pressure Gauge	Front Panel Mounted
	4002257	1	Sending Unit	For 4002256 Gauge
5	4001341	1	24" Oil Hose	
6	4001189	1	Ammeter	
7	4001263	1	Circuit Breaker	
8	4001411	1	Fuel Gauge	
9	4001870	1	1/8" Pipe Tee	
10	4001331	1	Adapter	
11	4001888	1	Ignition Switch w/Key	
12	5000638	1	Key for 4001888	
13	4001917	1	Water Temp Gauge	
14	4001918	1	1/2" Temperature Sender	
<b>Fenders &amp; Cowling</b>				
15	4001705	1	Turn Signal Flasher	
16	4002261	1	Fuse 15A	
17	4001808	1	Turn Signal Switch	
18	4000834	1	Horn Relay	
19	4000833	1	Horn	
20	4001025	2	Headlight	
21	4002218	2	Clearance Light	
22	4001262	2	Turn Signal Lamp	
<b>Rear Grill</b>				
23	4002203	2	Tail Light	
24	3002095	1	Battery Hold Down	
25	3002096	2	Battery Bolt	
26		1	Group 31 Battery	
27	3001341	1	Plywood Base	
28	3002094	1	Base Plate	
29	4002062	1	Negative Battery Cable	
30	4002061	1	Positive Battery Cable	
<b>Options</b>				
31	4000303	1	Windshield Wiper Motor	
32	4000307	1	Wiper Arm	
33	4000304	1	Wiper Blade (22")	
34	4000577	1	Heater	
35	4000577S	1	Heater Switch	
36	4001745	1	Electric Back-Up Alarm	
<b>Wire Harnesses</b>				
<b>Firewall Gauges</b>				
--	2000403	1	Tail Light Wire Harness	
--	2000406	1	Dash Wire Harness	
--	2000513	1	Engine Wire Harness	
--	2000514	1	Alternator Wire Harness	
--	2000517	1	Starter Wire Harness	
--	2000606	1	Fuel Gauge Wire Harness	
--	2000781	1	Interlock Wire Harness	
<b>Front Panel Gauges</b>				
--	2000888	1	Tail Light Wire Harness	
--	2000889	1	Engine Wire Harness	
--	2000890	1	Alternator Wire Harness	
--	2000891	1	Starter Wire Harness	
--	2000893	1	Fuel Gauge Wire Harness	
--	2000893	1	Safety switch Wire Harness	
--	2000900	1	Dash Wire Harness	

Figure 39  
Electronic Stroke Control



## Electronic Stroke Control

Key No.	Part No.	Qty.	Description	Comments
1	2000608	1	Controller	
2	4001852	1	Toggle Switch	
3	4001853	1	Boot	
4	4001724	1	Red Lens	
5	4001723	2	Lamp	
6	4001725	1	Amber Lens	
7	4001721	1	Knob	
8	2000609	1	Control Cable	
9	3002003	1	18mm Sensor Bracket	
10	4001890	1	18mm Sensor w/Nuts	
11	4001791	1	Cover	
12	4001790	1	Gasket	
13	4001789	1	Conduit Body	
14	4001788	1	Cord Grip	
15	4001782	1	Cord Grip	
16	4000584	4	J Clip	
17	3001895	1	Conduit	
18	4000686	2	Clamp	
19	4001779	1	5 Amp Fuse	
20	4001778	1	Fuse Holder	
21	4001234	1	Terminal Block	
22	4001421	2	3/8 x 30 Hose	
23	4001296	2	1/4 x 3/8 Swivel	
24	4001891	1	Male Elbow	
25	4001812	1	Oil Filter	
26	4001306	2	3/8 x 40 Hose	
27	4001806	2	1/4 x 3/8 - 90° Swivel	
28	3001887	1	Switch Bracket	S/N: 6000 - 6021
29	4001786	1	Valve Switch	S/N: 6000 - 6021
	4002081	1	Valve Switch, Long Arm	S/N: 6022 - 6229
30	3001858	1	Actuating Rod	S/N: 6000 - 6021
31	4001805	1	Solenoid Valve	
32	2000626	1	Relay Wire Harness	S/N: 6000 - 6229
33	2000625	1	Shielded Cable	
34	4001849	1	Solenoid	S/N: 6000 - 6229
35	4002143	1	Safety Switch	S/N: 6230 - . . . .
	5503071	2	#6 - 32 x 1-1/8" Screw	
	5550402	2	#6 - 32 ESNA Locknut	

# Decals

---

Item No.	Part No.	Qty.	Description	Comments
	2000857	1	Decal Set	Items 2-8, 10-31
1	3000616	1	Twist Lock Warning	Option
2	3000620	2	Arrow Global	
3	3000621	1	Arrow Bumper	
4	3000748	1	Air Cleaner	
5	3001555	1	Safety Rules	
6	3001749	1	Inspection	
7	3001758	1	Caution	
8	3002046	1	Twist Lock Instruction	Option
9	3002047	2	Stripe Decal	
10	3002135	1	Creeper Shift	
11	3002137	2	1350	S/N ... - 6999
-	3002610	2	1350T	S/N 7000 - ...
12	3002163	1	Ignition Switch Decal	
13	3002164	1	Engine Speed Decal	
14	3002165	1	Engine Warning Decal	
15	3002167	1	Starting Procedure Decal	
16	3002168	1	Caution, "Hot Muffler" Decal	
17	3002230	1	Stroke Adjust (not used on units w/ Electronic Stroke Option)	
18	3002231	1	Side Shift	
19	3002232	1	Auto Stroke	
20	3002233	1	Layback	
21	3002234	1	Hammer	
22	3002235	1	Creeper Drive	
23	3002236	1	Lead Tilt	
24	3002237	8	Grease Fitting	
25	3002238	1	Diesel Fuel	
26	3002240	1	Hydraulic Fluid	
27	3002241	1	Creeper Shift	
28	3002244	1	Cable Installation Decal	
29	3002253	2	Lock Weight & Layback Decal	
30	3002336	2	Arrow Decal	
31	3002434	1	Gearshift Decal	
32	3002452	1	Cable Adjust	Option

# How to Order Parts

---

All parts orders should be placed with your nearest Arrow-Master distributor.  
Do not place orders with the factory.

Always give the model designation and the serial number of your machine. This information is stamped on the brass plate which is located on the firewall.

## 1350T Model & Serial Number Listing by Year

( John Deere, Diesel)

<b>1992</b>	.....	6000 - 6050
<b>1993</b>	.....	6051 - 6199
<b>1994</b>	.....	6200 - 6299
<b>1995</b>	.....	6300 - 6399
<b>1996</b>	.....	6400 - 6424
<b>1997</b>	.....	6425 - 6499
<b>1998</b>	.....	6500 - 6549
<b>1999</b>	.....	6550 - 6575
<b>2000</b>	.....	6576 - 6599
<b>2001</b>	.....	6600 - 6615
<b>2002</b>	.....	6616 - 6711
<b>2003</b>	.....	6712 - 6727
<b>2004</b>	.....	6728 - 6821
<b>2005</b>	.....	6822 - 6913
<b>2006</b>	.....	6914 - 6925
<b>2007</b>	.....	6926 - 6999
<b>2008</b>	.....	7000 - ...

# Index

---

Description	Page No.
Axle, Drive . . . . . S/N: 6000 - 6489 . . . . .	8
Axle, Drive . . . . . S/N: 6490 - . . . . .	10
Axle, Steering . . . . .	6
Brake, Drive Axle . . . . . S/N: 6000 - 6209 . . . . .	12
Brake, Parking . . . . . S/N: 6000 - 6209 . . . . .	18
Brake, Parking . . . . . S/N: 6210 - . . . . .	20
Brake, Service . . . . . S/N: 6000 - 6209 . . . . .	14
Brake, Service . . . . . S/N: 6210 - . . . . .	16
Carriage . . . . .	32
Chassis . . . . .	4
Cover Plates . . . . .	42
Creeper Gear . . . . .	38
Creeper Cover . . . . .	40
Cylinder, Automatic . . . . .	48
Cylinder, Hammer Lift . . . . .	50
Cylinder, Layback . . . . .	53
Cylinder, Tilt . . . . .	52
Decals . . . . .	68
Instruments & Lighting . . . . .	64
Electronic Stroke Control . . . . .	66
Engine/Transmission . . . . . S/N: 6000 - 6499 . . . . .	26
Engine/Transmission . . . . . S/N: 6500 - . . . . .	28
Hammer Assembly Groups . . . . .	2
Hammer Weight . . . . .	35
Hammer Tools . . . . .	36
Hydraulic Fittings . . . . .	62
Hydraulic Hoses . . . . .	46
Hydraulic Components . . . . .	44
Layback Release . . . . .	33
Lead . . . . .	34
Pedal Assembly, Brake . . . . .	22
Pedal Assembly, Clutch . . . . .	22
Pump, Hydraulic . . . . .	54
Sideshift Ways . . . . .	32
Steering, Power . . . . .	23
Tank, Fuel, Hydraulic . . . . .	24
Throttle Assembly . . . . .	30
Valve, Locations . . . . .	3
Valve, Control . . . . .	56
Valve, Creeper and Bypass . . . 60	
Valve, Hammer Control . . . . .	58
Valve, Pilot . . . . .	51
Wheels . . . . .	4

**Go to Section 1**

**Go to Section 2**