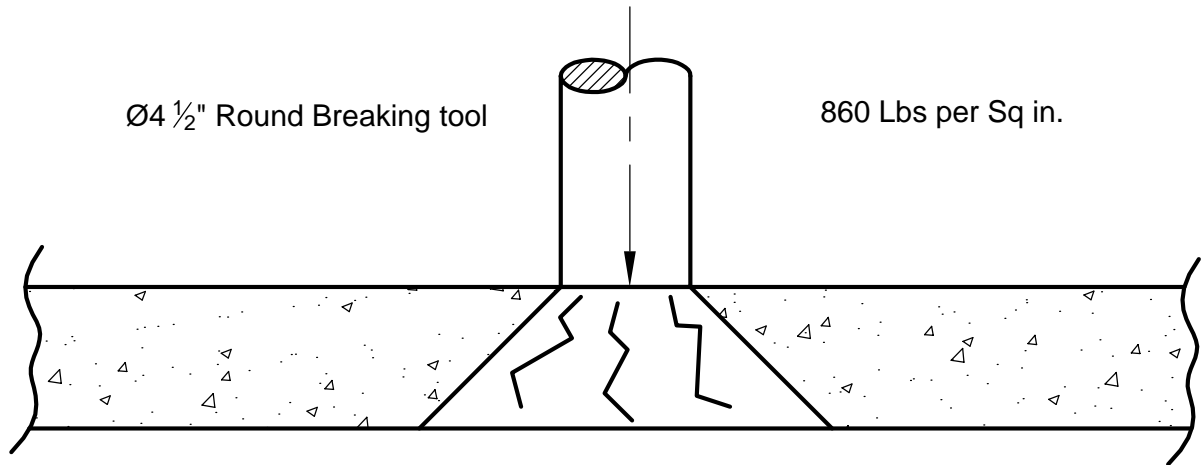
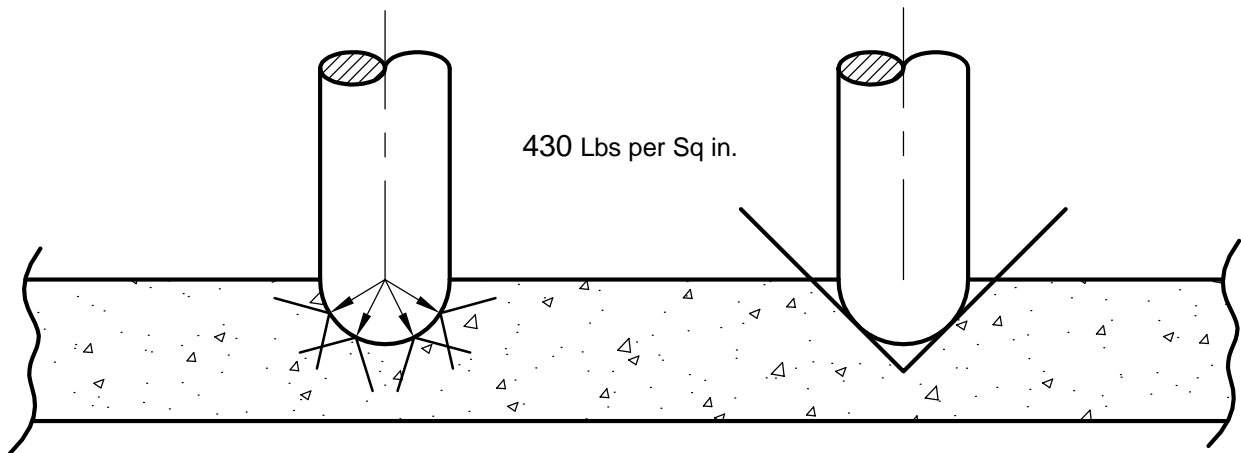


At Full Stroke - 13,000 Ft Lbs.



Flat Breaking Tool

Breaking is clean: All the energy is used in the breaking of the concrete.



Worn, Rounded Breaking Tool

Breaking is difficult: Your breaking energy is cut in half, your breaking energy is not distributed evenly. A rounded tool gives you a wedge effect.

Shock caused by a worn breaker can damage the mast and chassis.