

ARROW - MASTER
MOBILE HYDRAULIC HAMMER

PARTS CATALOG
MODELS: HG1250, HG1250R
HJ1250, HJ1250R
HD1250

**ARROW-MASTER
INCORPORATED**



← ARROW →

MASTER

ARROW - MASTER
MOBILE HYDRAULIC HAMMER

MODEL 1250

Parts Manual

Including HG1250, HG1250R
HJ1250, HJ1250R & HD1250

Publication No. 5000074
(Revised 11/08)

MODEL NUMBER: _____

SERIAL NUMBER: _____

SOLD AND
SERVICED BY: _____



ARROW-MASTER, INCORPORATED

1201 Seventh Street • East Moline, IL 61244
www.arrowmaster.com

Table Of Contents

Basic Mobile Hydraulic Hammer Assembly	2,3
Chassis and Wheels (IHC Axles)	4
IHC Steering Axle (1974-83)	6
IHC Drive Axle (1974-82)	8
IHC Steering Axle Brake (1974-83)	14
IHC Drive Axle Brake (1974-82)	16
IHC Steering Axle Hub (1974-83)	19
IHC Drive Axle Hub (1974-82)	20
Service Brakes IHC Axles (1974-83)	22
Parking Brakes IHC Drive Axle (1974-83)	26
Chassis and Wheels (Rockwell and Spicer Axles)	5
Spicer Steering Axle (1984-91)	10
Rockwell Drive Axle (1979-91)	12
Rockwell Drive Axle Brakes (1979-91)	18
Rockwell Drive Axle Hub (1979-91)	21
Service Brakes Rockwell and Spicer Axles (1984-91)	24
Parking Brake Rockwell Drive Axle (1979-84)	27
Parking Brake Rockwell Drive Axle (1985-91)	28
Clutch and Brake Pedals	29
Steering Control	
Manual Steering Gear (1974-84)	30
Hydraulic Steering (Optional 1974-84)	31
Power Steering (1985-91)	32
Fuel and Hydraulic Tanks	33
Engine/Transmission	
HD1250 Detroit Diesel (Discontinued 1978)	34
HG1250, HGR1250 Ford Gasoline (Discontinued 1989)	36
HJ1250, HJR1250 John Deere Diesel	38
Throttle Assembly	40

Carriage and Sideshift	42
Lead	43
Hammer Weight	44
Hammer Tools	45
Creeper Gear	46
Creeper Interlock (1974-91)	48
Cover Plates	50
Hydraulic System	51
Hydraulic Hoses	54
Automatic Cylinder	56
Hammer Lift Cylinder	58
Remote Stroke Adjustment Cylinder (1974-75)	59
Remote Stroke Adjustment Cylinder (1975-91)	60
Pilot Valve	61
Tilt Cylinder (1974-79)	62
Tilt Cylinder (1979-91)	63
Layback Cylinder (1974-79)	64
Layback Cylinder (1979-91)	65
Hydraulic Pump (HD,HG 1974-77)	66
Hydraulic Pump (HJ,HG 1977-91)	68
Control Valves	70
Hammer Control Valve	72
Creeper and Bypass Valve	74
Hydraulic Fittings	76
Electrical System	78
Electronic Stroke Control	80
Decals	82
Accessories	83
How to Order Parts	84
Index	85,86

Parts

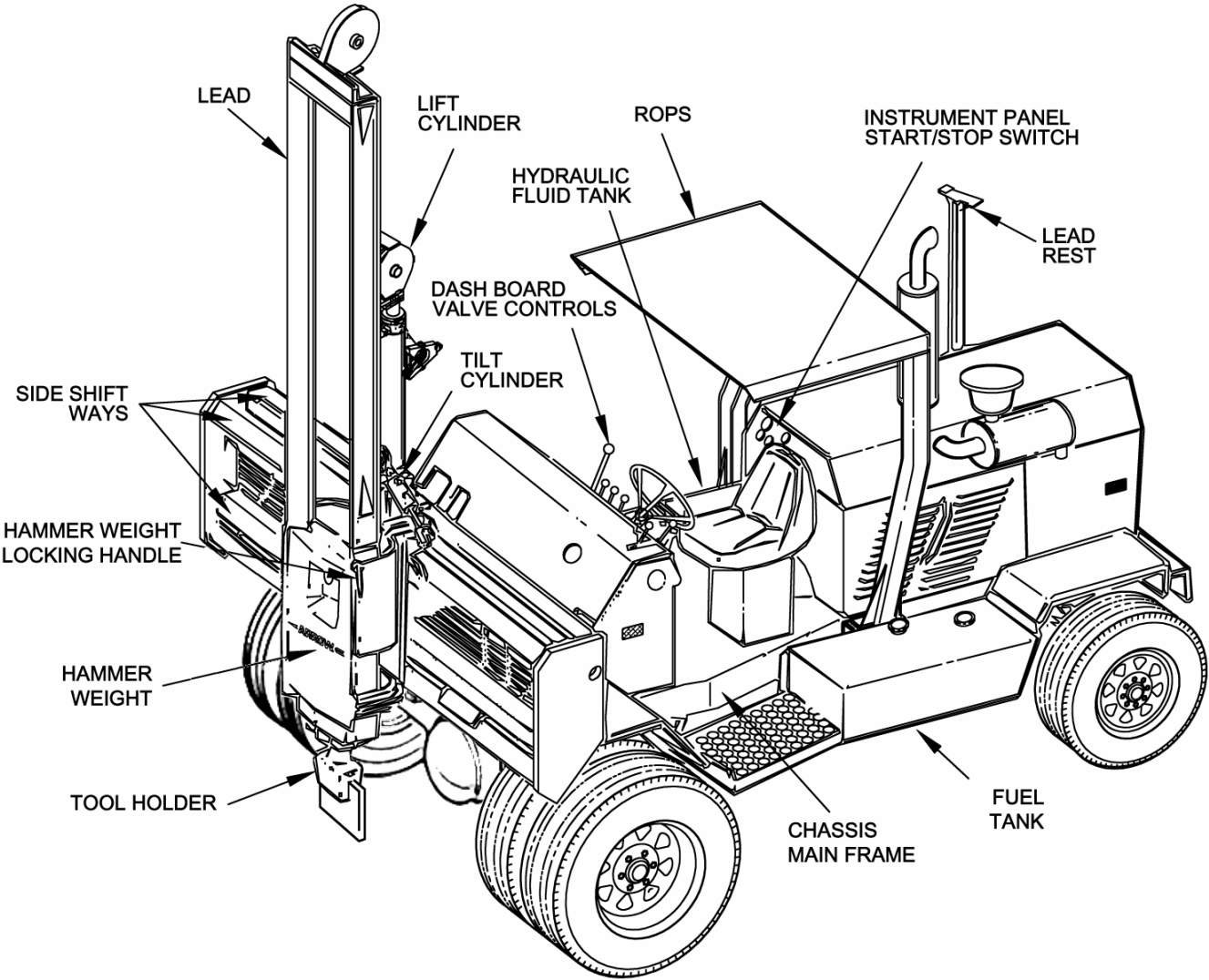


Figure 1
Basic Mobile Hydraulic Hammer Assembly

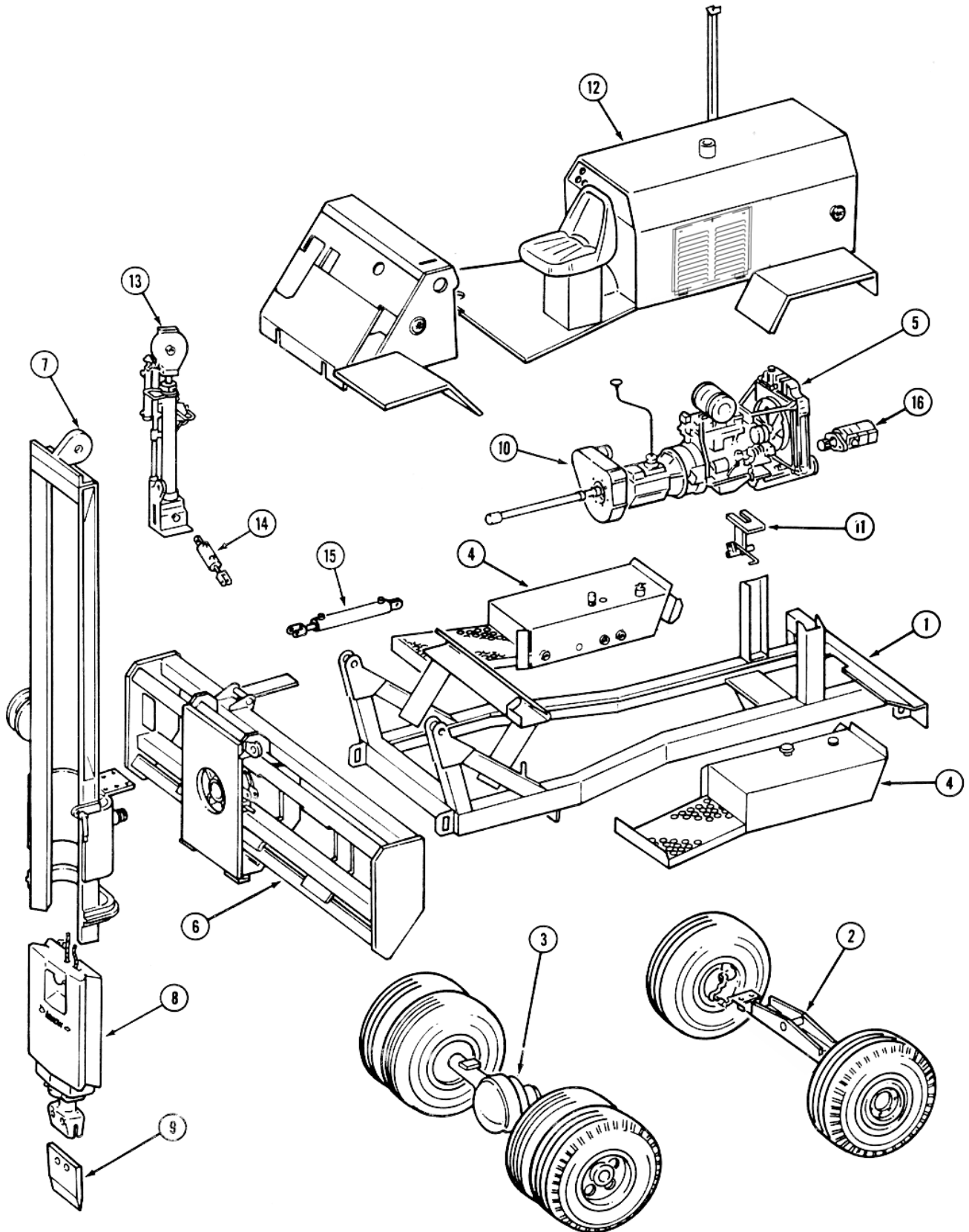
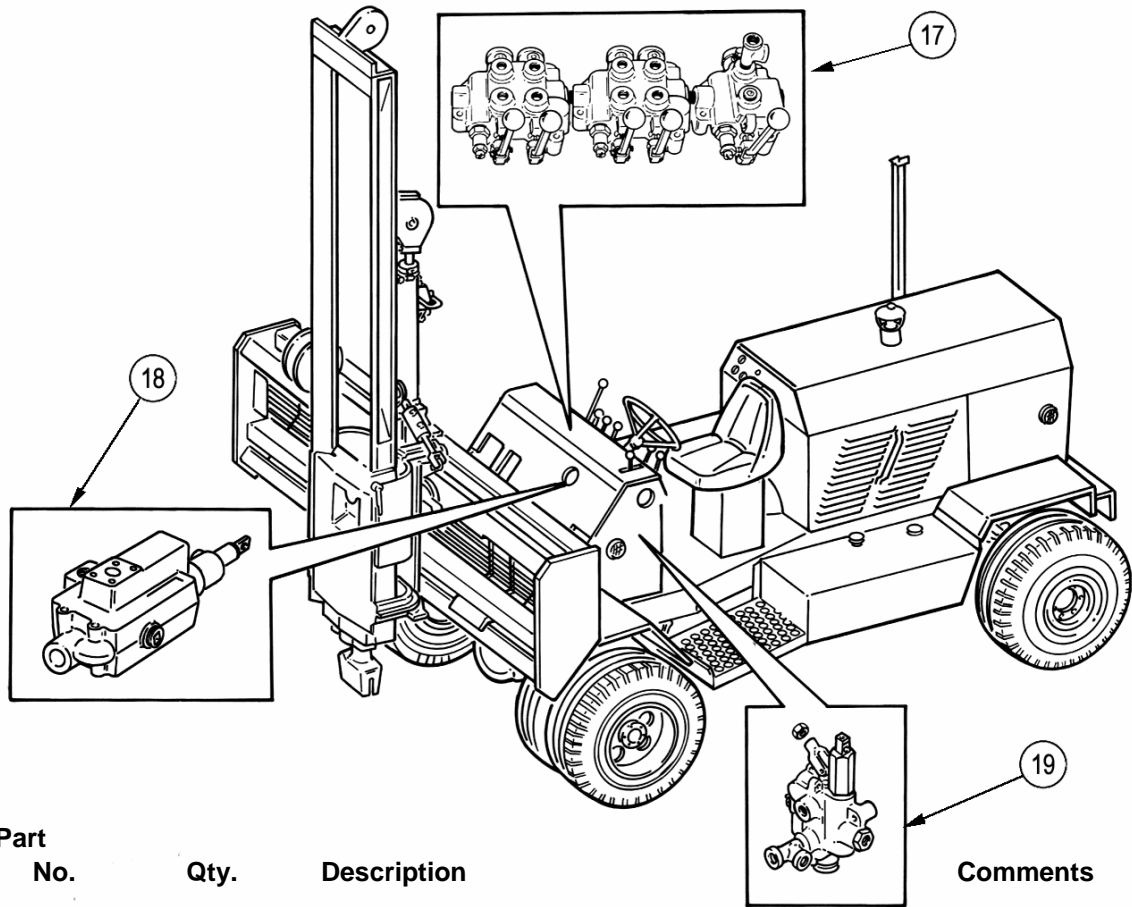
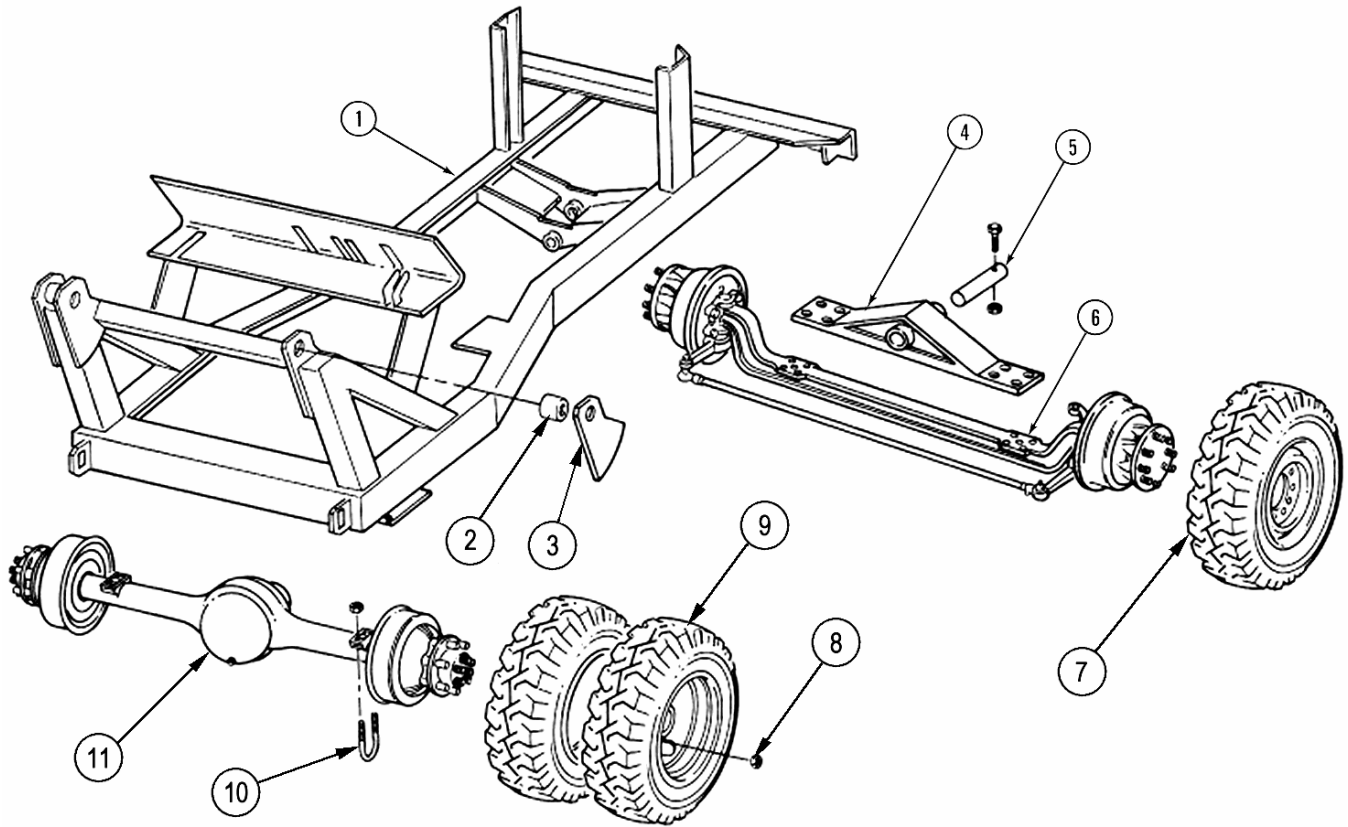


Figure 2
Basic Mobile Hydraulic Hammer Assembly - Continued



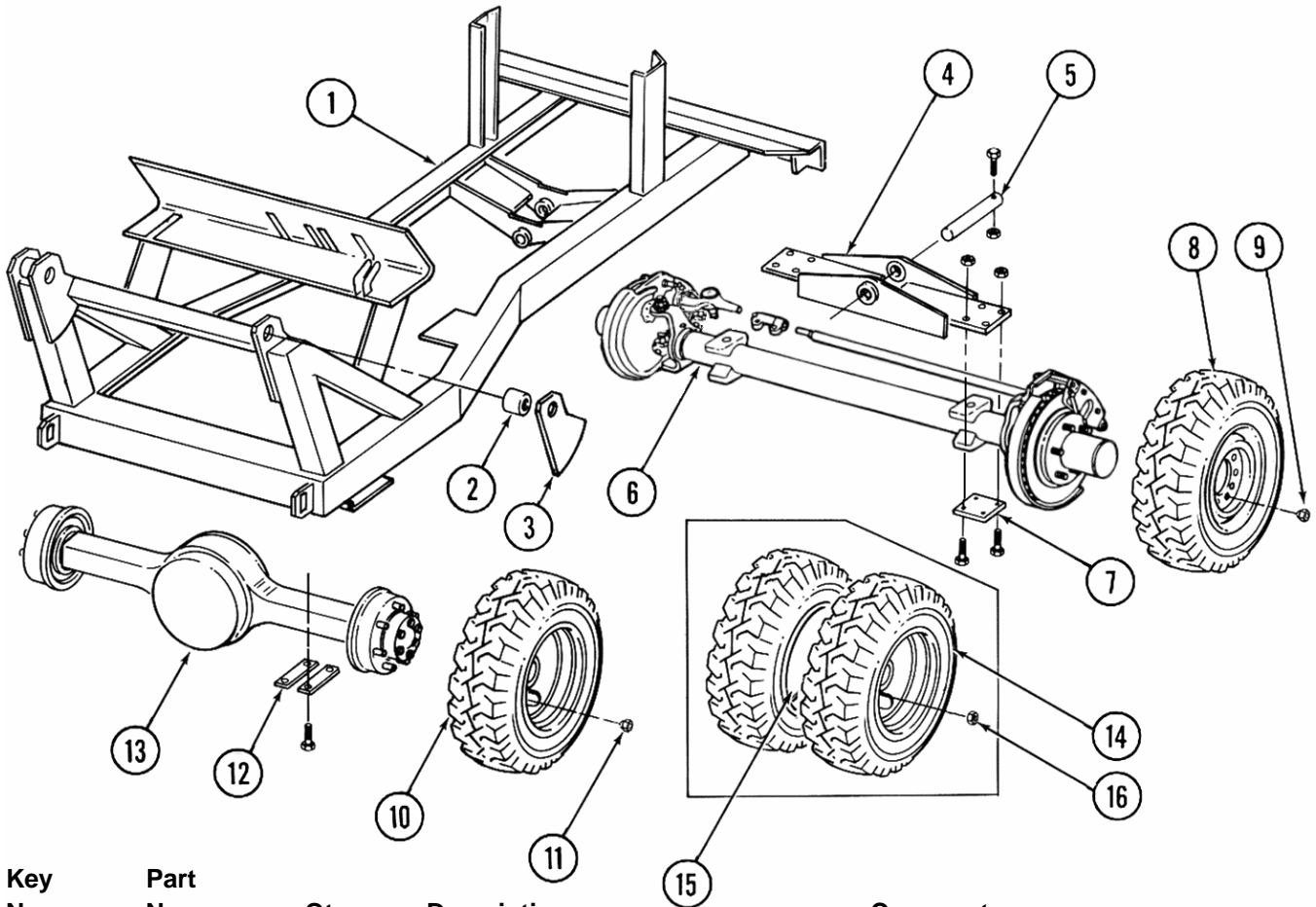
Key No.	Part No.	Qty.	Description	Comments
1	*****	1	Chassis and Wheels (IHC Axles)	See Fig. 3 Page 4
	*****	1	Chassis and Wheels (Rockwell and Spicer Axles)	See Fig. 4 Page 5
2	*****	1	IHC Steering Axle	See Fig. 5 Page 6
	*****	1	Spicer Steering Axle	See Fig. 7 Page 10
3	*****	1	IHC Drive Axle	See Fig. 6 Page 8
	*****	1	Rockwell Drive Axle	See Fig. 8 Page 12
4	*****	1	Hydraulic Tank	See Fig. 24 Page 33
	*****	1	Fuel Tank	See Fig. 24 Page 33
5	*****	1	Engine/Transmission HD1250	See Fig. 25 Page 34
	*****	1	Engine/Transmission HG1250,HGR1250	See Fig. 26 Page 36
	*****	1	Engine/Transmission HJ1250,HJR1250	See Fig. 27 Page 38
6	*****	1	Carriage and Sideshift	See Fig. 29 Page 42
7	*****	1	Lead	See Fig. 30 Page 43
8	*****	1	Hammer Weight	See Fig. 31 Page 44
9	*****	1	Hammer Tools	See Fig. 32 Page 45
10	*****	1	Creeper Gear	See Fig. 33 Page 46
11	*****	1	Creeper Interlock	See Fig. 34 Page 48
12	*****	1	Cover Plates	See Fig. 35 Page 50
13	*****	1	Automatic Cylinder	See Fig. 38 Page 56
14	*****	1	Tilt Cylinder (1974-79)	See Fig. 43 Page 62
	*****	1	Tilt Cylinder (1979-91)	See Fig. 44 Page 63
15	*****	1	Layback Cylinder (1974-79)	See Fig. 45 Page 64
	*****	1	Layback Cylinder (1979-91)	See Fig. 46 Page 65
16	*****	1	Hydraulic Pump	See Fig. 47 Page 66
	*****	1	Hydraulic Pump	See Fig. 48 Page 68
17	*****	1	Control Valves	See Fig. 49 Page 70
18	*****	1	Hammer Control Valve	See Fig. 50 Page 72
19	*****	1	Creeper Control Valve	See Fig. 51 Page 74

Figure 3
Chassis and Wheels (IHC Axles)



Key No.	Part No.	Qty.	Description	Comments
1	*****	1	Frame	
2	3001154	2	Hinge Tube	
3	3001153	4	Support Plate	
4	2000275	1	Axle Pivot	
5	3000845	1	Pivot Pin	
	4000817	1	Grease Fitting	
6	*****	1	IHC Steering Axle	Units built in 1974 - 1983 only.
7	4001667	2	16 x 6 Wheel	
	*****	2	6.50 x 16, LR-C Tire	
8	4001687	16	L.H. Lug Nut	
	4001688	16	R.H. Lug Nut	
9	4001667	4	16 x 6 Wheel	
	*****	4	7.50 x 16 LR-D Tire	
10	3001223A	4	U-Bolt with Lock Nut	Discontinued
	5550419	8	5/8" - 18 Lock Nut	
11	*****	1	IHC Drive Axle	Units built in 1974 - 1982 only.

Figure 4
Chassis and Wheels (Rockwell and Spicer Axles)



Key No.	Part No.	Qty.	Description	Comments
1	*****	1	Frame	
2	3001154	2	Hinge Tube	
3	3001153	4	Support Plate	S/N: 3000-..., 1984-91
4	2000652	1	Axle Pivot	S/N: 3000-..., 1984-91
5	3001876	1	Pivot Pin	S/N: 3000-..., 1984-91
	4000354	1	Grease Fitting	S/N: 3000-..., 1984-91
6	2000654	1	Spicer Steering Axle	S/N: 3000-..., 1984-91
7	3001877	2	Mount Plate	S/N: 3000-..., 1984-91
8	4001796	2	16.5 x 6.75 Wheel	S/N: 3000-..., 1984-91
	*****	2	8.75 x 16.5, LR-D Tire	S/N: 3000-..., 1984-91
9	4001798	16	9/16" Lug Nut	1984
	4001807	16	1/2" Lug Nut	1984-91
10	4001662	2	16.5 x 9.75, 6-Hole Wheel	Models HGR,HJR
	*****	2	12 X 16.5, LR-E Tire	Models HGR,HJR
11	4001664	6	R.H. Lug Nut	Models HGR,HJR
	4001665	6	L.H. Lug Nut	Models HGR,HJR
12	3001777	4	Mount Bar	Models HGR,HJR
13	4001660	1	Rockwell Drive Axle	Models HGR,HJR, 1979-1991
14	4001689	4	17.5 x 6.75, 6-Hole Wheel (Duals)	Optional, Models HGR,HJR
	*****	4	8 x 17.5, LR-D Tire (Duals)	Optional, Models HGR,HJR
15	4001692	6	LH Inner Nut (Duals)	Optional, Models HGR,HJR
	4001693	6	RH Inner Nut (Duals)	Optional, Models HGR,HJR
16	4001694	6	LH Outer Nut (Duals)	Optional, Models HGR,HJR
	4001695	6	RH Outer Nut (Duals)	Optional, Models HGR,HJR

Figure 5
IHC Steering Axle (1974-83)
(S/N: HD1250001-158, HG(R)1250001-315, HJ(R)1250001-665)

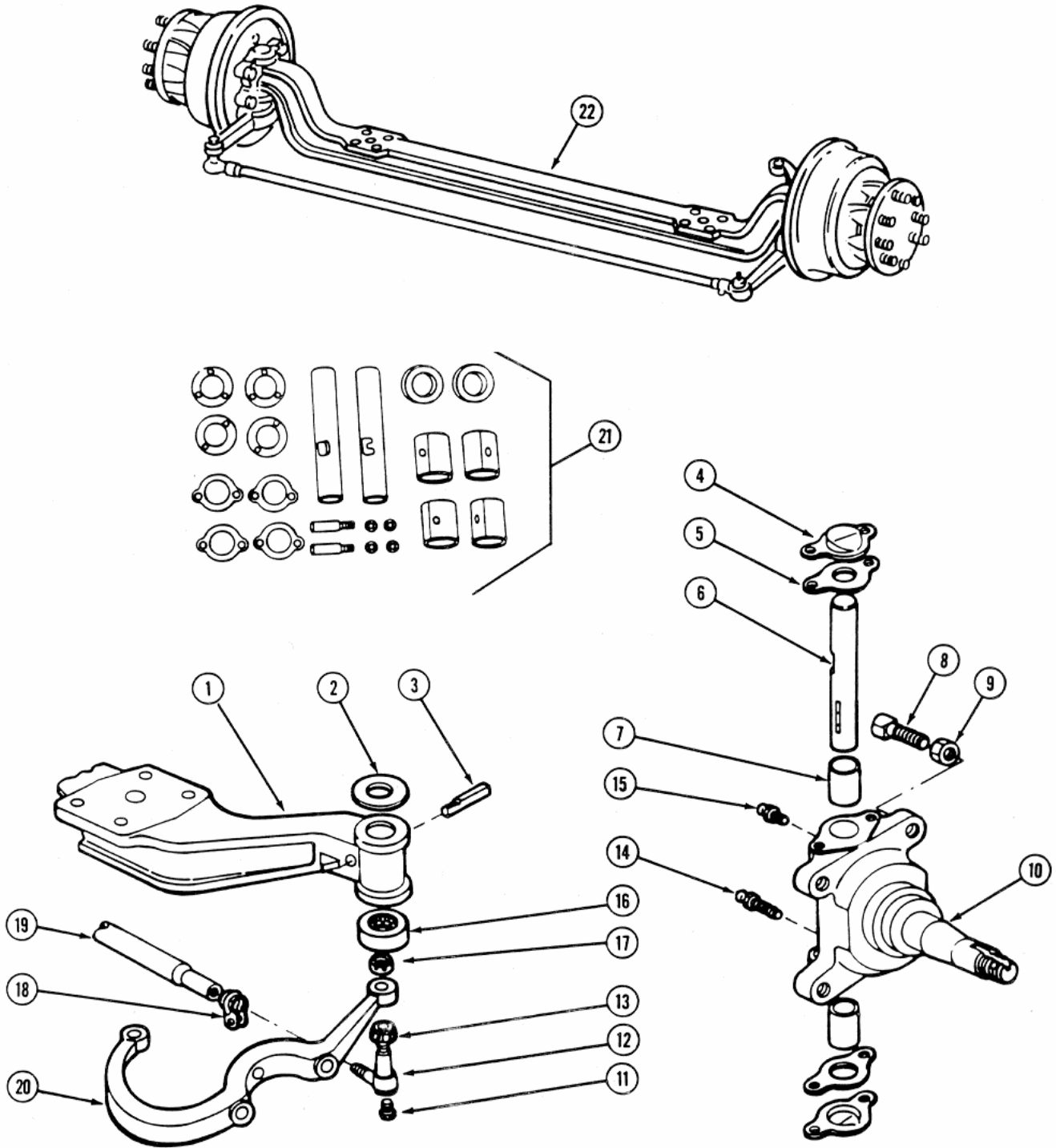


Figure 5
IHC Steering Axle (1974-83)
(S/N: HD1250001-158, HG(R)1250001-315, HJ(R)1250001-665)

Key No.	Part No.	Qty.	Description	Comments
1	394378C2	1	Axle I-Beam	IHC Part #
2	61677H	1	Shim .005	IHC Part # Discontinued
	61678H	1	Shim .010	IHC Part # Discontinued
3	62798H	2	Draw Key	IHC Part # Discontinued
	124829	2	3/8" Nut	IHC Part # Discontinued
	120382	2	3/8" Washer	IHC Part # Discontinued
4	51122VA	4	Knuckle Cap	IHC Part # Discontinued
	51124V	8	Cap Bolt	IHC Part # Discontinued
	5555204	8	5/16" Lock Washer	Discontinued
5	51123V	4	Gasket	IHC Part # Discontinued
6	69585R1	2	King Pin	IHC Part # Discontinued
7	69583R1	4	Bushing	IHC Part # Discontinued
8	110453	2	Set Screw	IHC Part # Discontinued
9	5550616	2	1/2" - 13 Jam Nut	Discontinued
10	428029C91	2	Steering Knuckle	IHC Part # Discontinued
11	78205H	2	Grease Plug	IHC Part # Discontinued
12	364405C91		L.H. Tie Rod End	IHC Part # Discontinued
	364406C91		R.H. Tie Rod End	IHC Part #
13	364407C1	2	Dust Cover	IHC Part #
14	273347	2	Grease Fitting	IHC Part # Discontinued
15	109461	2	Grease Fitting	IHC Part # Discontinued
16	73094R1	2	Thrust Bearing	IHC Part # Discontinued
17	*****	2	9/16" - 18 Slotted Nut	Discontinued
	*****	2	1/8" x 1-1/4" Cotter Pin	Discontinued
18	104226H	2	Tie Rod Clamp	IHC Part # Discontinued
	5540208	2	3/8" - 24 x 1-5/8" Bolt	
	5550013	2	3/8" - 24 Nut	
	5555205	2	3/8" Lock Washer	
19	5000661	1	Tie Rod	
20	444135C91	1	L.H. Steering Arm	IHC Part # Discontinued
	444137C91	1	R.H. Steering Arm	IHC Part # Discontinued
21	69971R91	1	King Pin Kit (Std.)	IHC Part # Discontinued
	134455R91	1	King Pin Kit (.015)	IHC Part # Discontinued
22	*****	1	IHC Steering Axle	Discontinued

Figure 6
IHC Drive Axle (1974 - 82)
(Models: HD1250, HG1250, HJ1250)

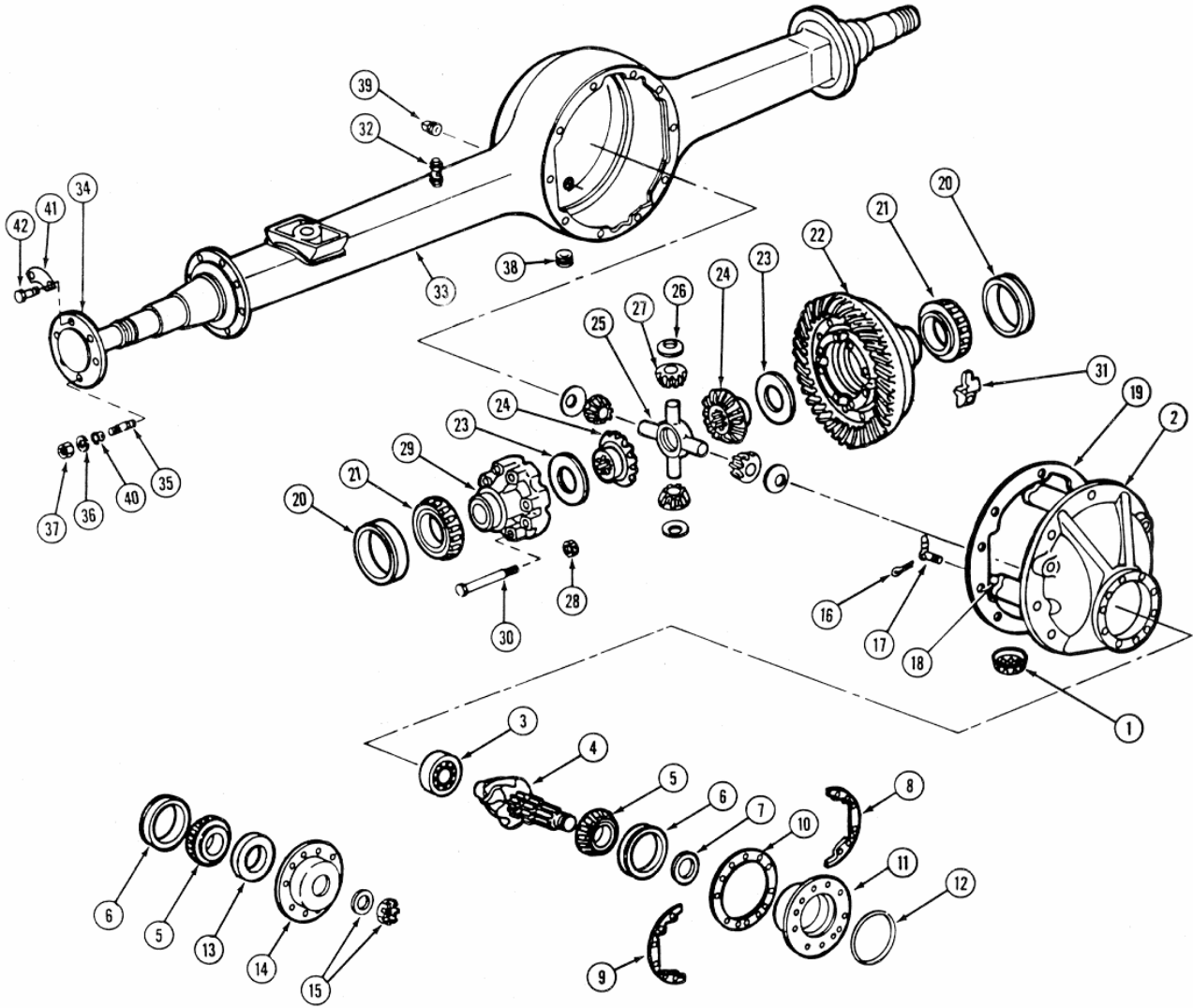


Figure 6
IHC Drive Axle (1974 - 82)
(Models: HD1250, HG1250, HJ1250)

Key No.	Part No.	Qty.	Description	Comments
1	50102R2	2	Bearing Adjuster	IHC Part # Discontinued
2	83411R91	1	Carrier w/Caps	IHC Part # Discontinued
	80291R1	10	½" - 20 x 1-3/4" Bolt	IHC Part #
	5555207	10	½" Lock Washer	
3	50103R92	1	Pinion Bearing	IHC Part #
4	83506R94	1	Ring Gear & Pinion	IHC Part # Discontinued
	80161R1	12	Rivet	IHC Part #
5	71320R91	2	Bearing	IHC Part #
6	50083R1	2	Bearing Cup	IHC Part #
7	50262R2	1	Spacer (.441)	IHC Part # Discontinued
	50264R2	1	Spacer (.447)	IHC Part #
	50266R2	1	Spacer (.453)	IHC Part #
	50268R2	1	Spacer (.459)	IHC Part #
	50270R2	1	Spacer (.465)	IHC Part # Discontinued
	50271R2	1	Spacer (.468)	IHC Part # Discontinued
8	*****	1	Shim (.003)	IHC Part # Discontinued
9	*****	1	Shim (.003)	IHC Part # Discontinued
10	50086R2	1	Shim (.010)	IHC Part #
	50087R2	1	Shim (.032)	IHC Part #
	682890R1	1	Shim (.005)	IHC Part #
11	4750156	1	Bearing Cage	
12	4001594	1	O-Ring	
13	4001593	1	Oil Seal	
14	4001595	1	Retainer	Discontinued
15	4001907	1	Nut	
	82150R1	1	Washer	IHC Part #
	119209	1	1/8 x 2" Cotter Pin	IHC Part #
16	16791R1	2	3/16 x 1" Cotter Pin	IHC Part #
17	13875V	2	Adjuster Lock	IHC Part # Discontinued
18	69410R1	4	Bearing Cap Bolt	IHC Part #
19	50092R1	1	Gasket	IHC Part # Discontinued
20	ST964	2	Bearing Cup	IHC Part # Discontinued
21	ST2010	2	Bearing	IHC Part #
22	50319R1	1	Case Half	IHC Part #
23	50313R1	2	Thrust Washer	IHC Part #
24	82770R1	2	Side Gear	IHC Part #
25	50316R1	1	Spider	IHC Part #
26	50314R1	4	Thrust Washer	IHC Part #
27	50606R2	4	Pinion Gear	IHC Part #
28	*****	8	3/8" - 24 Lock Nut	
29	50318R1	1	Case Half	IHC Part #
30	60339R1	8	Bolt	IHC Part #
31	83391R91	1	Oil Scoop	IHC Part #
	5540003	1	1/4" - 20 x 3/4 Bolt	
	5555203	1	1/4" Lock Washer	
32	4001686	1	Breather	
33	*****	1	Axle Housing	Discontinued
34	5000178	1	R.H. Axle, Short	
	5000179	1	L.H. Axle, Long	
35	4001152	16	Stud	Discontinued
36	5555205	16	3/8" Lock Washer	Design 1
37	4001151	16	3/8" Nut	Design 1
38	444660	1	3/8" Drain Plug	IHC Part #
39	*****	1	3/4" Filler Plug	
40	4001153	16	Conical Bushing	Design 1- Discontinued
41	3001732	8	Lock Plate	Design 2
42	421744C1	16	Axle Bolt	Design 2, IHC Part #
	5000177	1	Differential	Items 1-31, Discontinued

Figure 7
Spicer Steering Axle (1984-91)
(S/N: 3000-3599)

Key No.	Part No.	Qty.	Description	Comments
1	5000560	2	Grease Cap	
2	5000561	2	Spindle Nut	
3	5000562	2	Washer	
4	5000563	2	Nut w/pin	
5	5000564	2	Outer Bearing	
	5000615	2	Outer Bearing Cup	
6	4001798	16	9/16" Lug Nut	1984
	4001807	16	1/2" Lug Nut	1984-91
7	5000566	2	Hub & Rotor	
8	5000567	2	Inner Bearing	
	5000617	2	Inner Bearing Cup	
9	5000568	2	Grease Seal	
10	5000559	16	9/16" Wheel Bolt	
	5000569	16	1/2" Wheel Bolt	
11	5000570	1	Axle Tube	
12	3001868	1	Steering Arm	
13	5540499H	3	9/16" - 18 x 2, Gr. 8 Bolt	
	5555208	3	9/16" Lock Washer	
14	5000571	1	L.H. Knuckle (Includes Items 17-22)	
15	5000572	2	3/8" - 24 Jam Nut	
16	5000573	2	Stop Bolt	
17	5000574	12	Flange Bolt	
18	5000575	2	Slotted Nut	
19	5000576	2	1/8" x 1-1/2" Cotter Pin	
20	5000577	2	Adjusting Ring	
21	5000578	2	Socket Kit (Includes Items 18-20 & 22)	
22	5000579	2	Lower Nut	
23	5000580	1	R.H. Knuckle (Includes Items 17-22)	
24	5000581	2	Slotted Nut	
25	5000582	2	3/32" x 1" Cotter Pin	
26	5000583	1	Tie Rod (Includes Ends, Sleeve, Nuts)	
	5000769	1	Tie Rod End	
27	5000584	12	Lock Nut	
28	5000585	1	L.H. Mounting Plate	
	5000586	1	R.H. Mounting Plate	
29	5000587	2	Spindle	
30	5000772K	1	R.H. Caliper	
	5000773K	1	L.H. Caliper	
	5000629	1	Brake Pad Set	
	5000630	2	Piston Seals	
31	5000590	4	Mounting Bolt	
	5000771	4	Mounting Bolt	
32	5000634	1	Adjusting Sleeve	
33	2000654	1	Spicer Steering Axle	
34	5000773	1	L.H. Caliper Assembly	
35	5000772	1	R.H. Caliper Assembly	

Figure 8
Rockwell Drive Axle (1979-91)
(Models: HG1250R, HJ1250R)

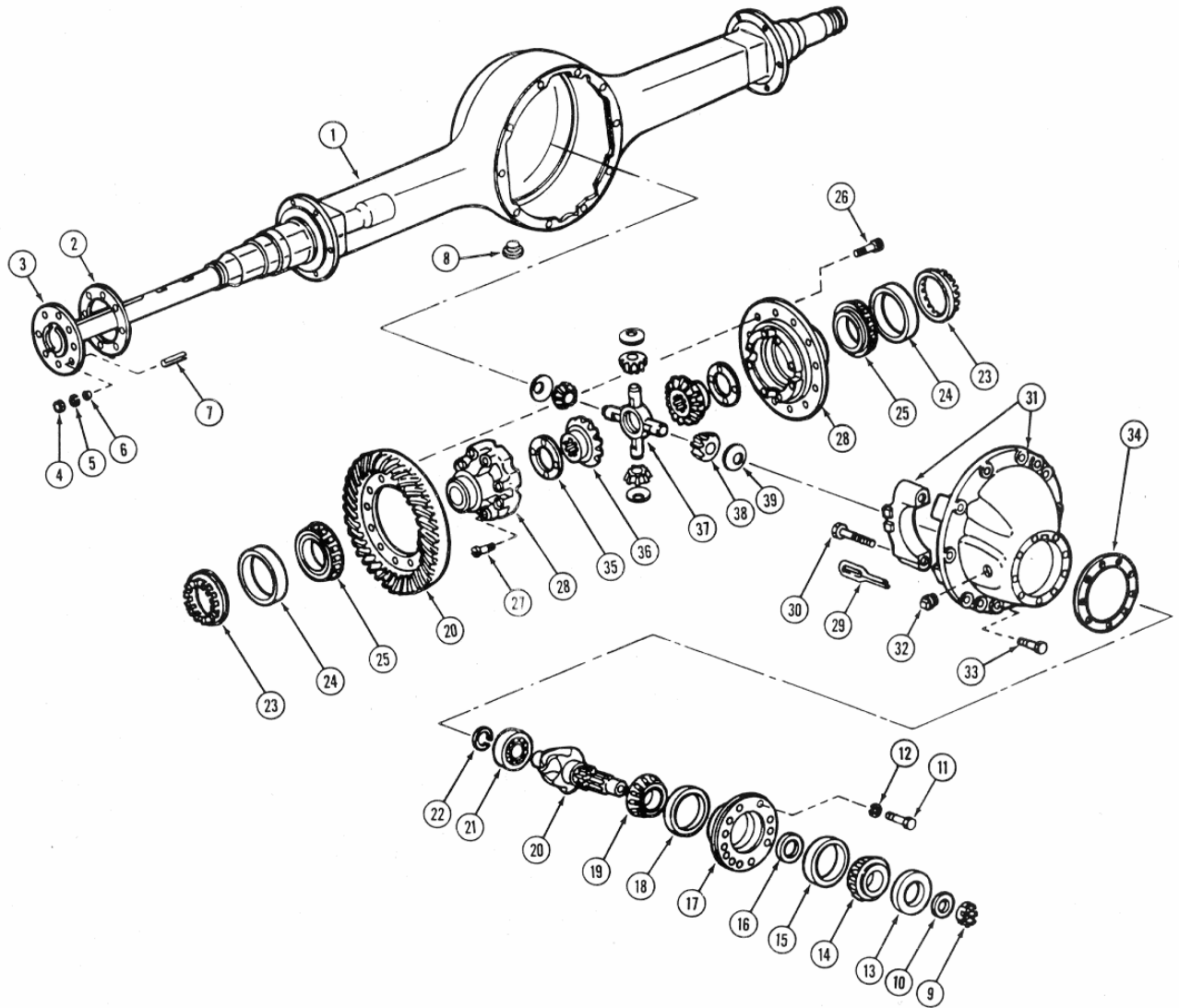


Figure 8
Rockwell Drive Axle (1979-91)
(Models: HG1250R, HJ1250R)

Key No.	Part No.	Qty.	Description	Comments
1	5000447	1	Axle Housing	Discontinued
2	5000452	2	Axle Shaft Gasket	
3	5000453	2	Axle Shaft	
4	5000457	16	Nut	
5	5000456	16	Lock Washer	
6	5000455	16	Conical Washer	
7	5000454	16	Stud	
8	5000458	2	Plug	
9	5000460	1	Pinion Shaft Nut	
10	5000461	1	Flat Washer	
11	5540309H	8	7/16" - 14 x 2, Gr. 8 Bolt	
12	5555206	8	7/16" Lock Washer	
13	5000464	1	Oil Seal	
14	5000465	1	Outer Bearing	
15	5000466	1	Outer Bearing Cup	
16	5000467	1	Pinion Bearing Spacer	Specify Size .308 thru .339
17	4750159	1	Bearing Cage	
18	5000468	1	Inner Bearing Cup	
19	5000469	1	Inner Bearing	
20	5000470	1	Ring Gear & Pinion	
21	5000471	1	Pinion Bearing	
22	5000472	1	Snap Ring	
23	5000473	2	Bearing Adjuster	
24	5000474	2	Bearing Cup	
25	5000475	2	Bearing	
26	5000476	12	Bolt	
	5000477	12	Nut	
	5000478	12	Washer	
27	5000479	8	Bolt	
	5000478	8	Washer	
28	5000480	1	Case Assembly	
29	5000481	2	Adjusting Ring Cotter	
30	5000582	4	Bolt	
	5000483	4	Washer	
31	5000484	1	Carrier & Bearing Cap	
32	5000485	1	Filler Plug	
33	*****	2	7/16" - 14 x 1-1/2", Gr. 8 Bolt	
	*****	2	7/16" - 14 x 2-1/4", Gr. 8 Bolt	
	5000488	1	7/16" Washer	
	*****	12	1/2" - 13 x 1-1/2", Gr. 8 Bolt	
	5000478	12	Washer	
34	5000490	1	Pinion Bearing Shim, .003	
	5000491	1	Pinion Bearing Shim, .005	
	5000492	1	Pinion Bearing Shim, .010	
35	5000493	1	Thrust Washer	
36	5000494	2	Side Gear	
37	5000495	2	Spider	
38	5000496	1	Thrust Washer	
39	5000497	4	Pinion Gear	
	5000498		Differential Assembly	Items 9-39

Figure 9
IHC Steering Axle Brake (1974-83)
(S/N: HD1250001-158, HG(R)1250001-315, HJ(R)1250001-665)

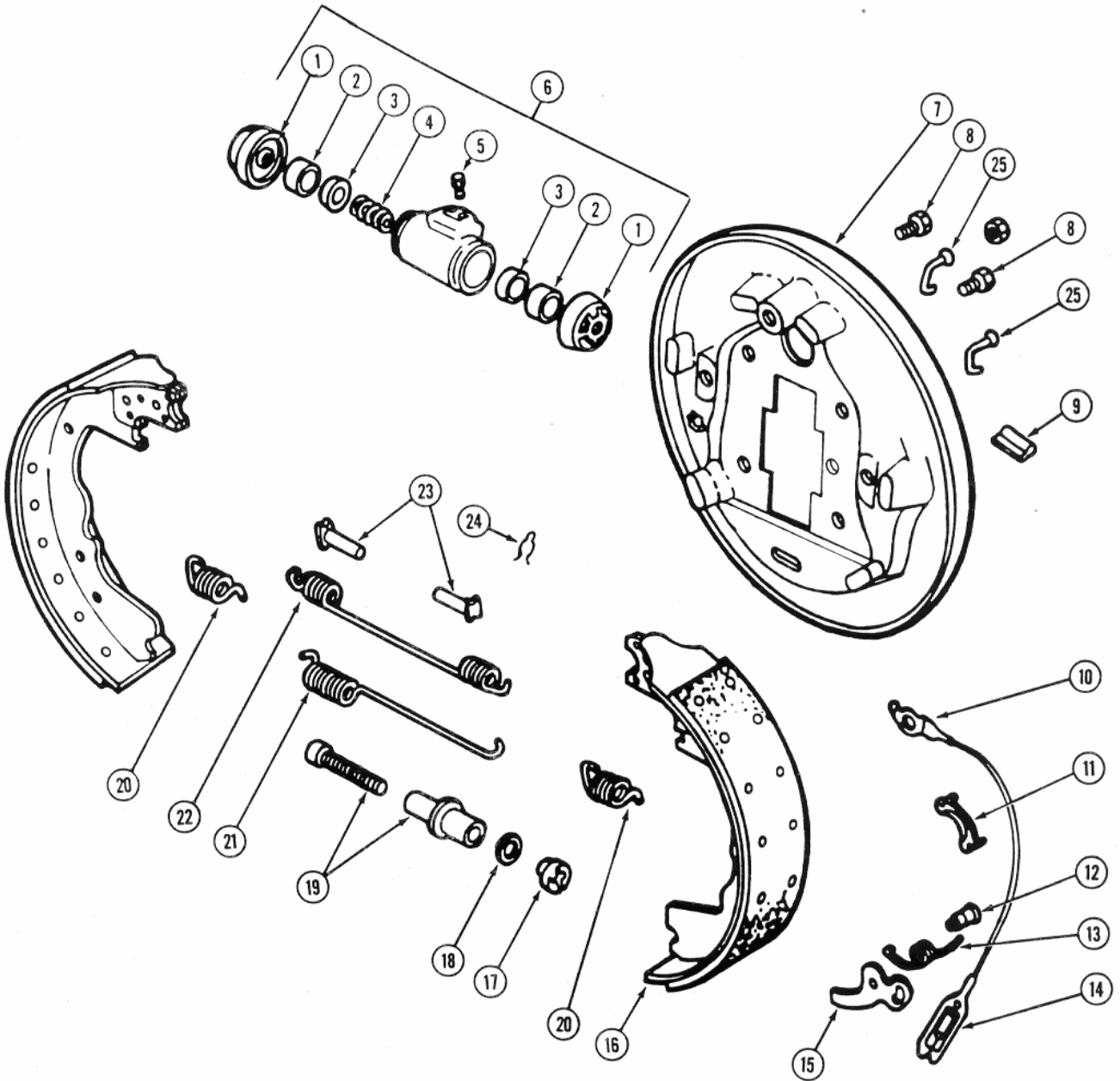


Figure 9
IHC Steering Axle Brake (1974-83)
(S/N: HD1250001-158, HG(R)1250001-315, HJ(R)1250001-665)

Key No.	Part No.	Qty.	Description	Comments
1	*****	4	Cylinder Boot	
2	391345C1	2	Piston	IHC Part # Discontinued
3	*****	4	Piston Cup	
4	391344C1	2	Cylinder Spring	IHC Part #
5	80341R1	2	Bleeder Screw	IHC Part #
6	394659C91	1	L.H. Wheel Cylinder	IHC Part # Discontinued
	394660C91	1	R.H. Wheel Cylinder	IHC Part # Discontinued
	391347C91	2	Repair Kit	IHC Part #, Items 1 & 3
7	391024C1	1	L.H. Backing Plate	IHC Part # Discontinued
	391025C1	1	R.H. Backing Plate	IHC Part # Discontinued
	26145R1	4	Bolt, 5/8 - 11 x 1-3/4	IHC Part #
	26270R1	4	Bolt, 5/8 - 11 x 3	IHC Part #
	434562C1	8	Lock Nut, 5/8 - 11	IHC Part #
	25711R1	4	Washer	IHC Part #
8	81017R91	4	Bolt	IHC Part # Discontinued
9	391318C1	2	Cover	IHC Part #
10	391043C91	2	Cable with Spring	IHC Part # Discontinued
11	391042C1	2	Cable Guide	IHC Part # Discontinued
12	391032C1	2	Pin	IHC Part # Discontinued
13	391046C1	1	L.H. Adjuster Spring	IHC Part # Discontinued
	391047C1	1	R.H. Adjuster Spring	IHC Part # Discontinued
14	391044C1	2	Cable Spring	IHC Part # Discontinued
15	391045C1	2	Adjusting Lever	IHC Part # Discontinued
16	459276C92	1	Brake Shoes	IHC Part # Discontinued
17	391317C1	2	Socket	IHC Part # Discontinued
18	391316C1	2	Washer	IHC Part # Discontinued
19	394710C1	1	L.H. Adjusting Screw	IHC Part # Discontinued
	394711C1	1	R.H. Adjusting Screw	IHC Part # Discontinued
	394712C1	1	L.H. Adjusting Nut	IHC Part # Discontinued
	394713C1	1	R.H. Adjusting Nut	IHC Part # Discontinued
20	391040C1	4	Hold-Down Spring	IHC Part # Discontinued
21	391037C1	2	Lower Spring	IHC Part # Discontinued
22	391036C1	2	Upper Spring	IHC Part # Discontinued
23	391023C1	4	Push Rod	IHC Part # Discontinued
24	148150	2	Retainer	IHC Part # Discontinued
25	391041C1	4	Hold-Down Pin	IHC Part # Discontinued

Figure 10
IHC Drive Axle Brake (1974-82)
(Models: HD1250, HG1250, HJ1250)

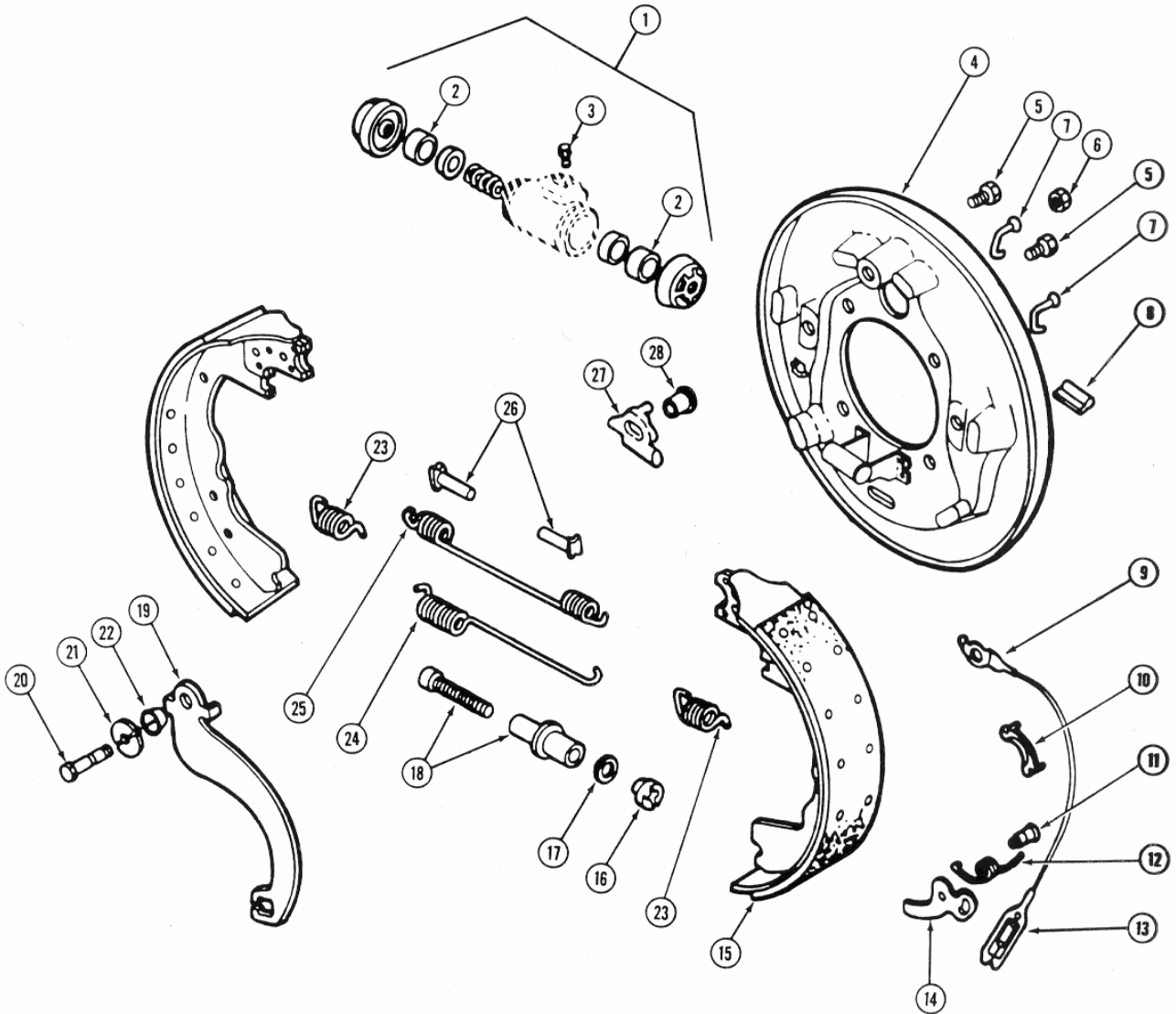
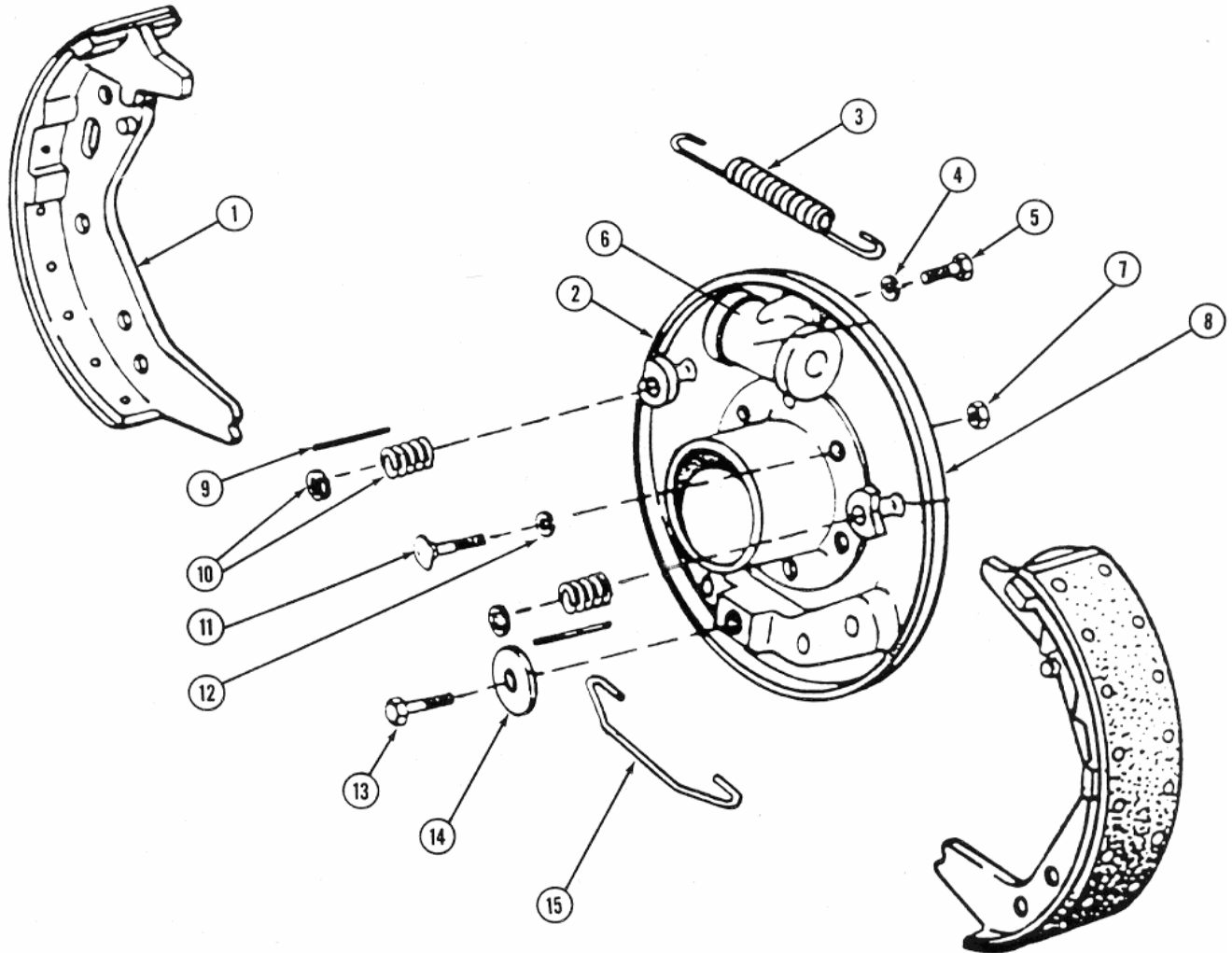


Figure 10
IHC Drive Axle Brake (1974-82)
(Models: HD1250, HG1250, HJ1250)

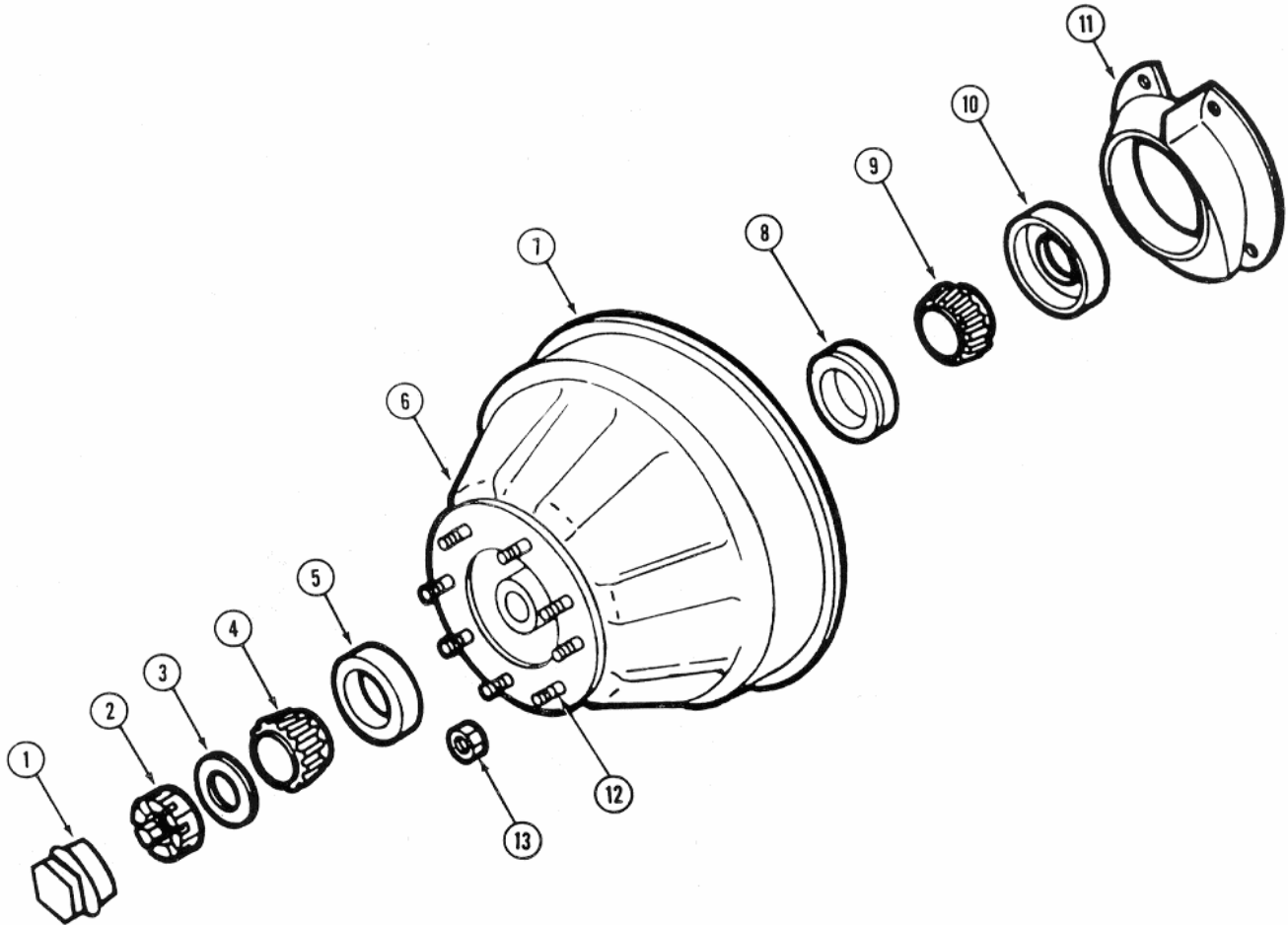
Key No.	Part No.	Qty.	Description	Comments
1	391074C91	1	L.H. Wheel Cylinder	IHC Part # Discontinued
	391075C91	1	R.H. Wheel Cylinder	IHC Part # Discontinued
	592256C91	2	Repair Kit	IHC Part #, Cup & Boots
2	49660H	4	Piston	IHC Part # Discontinued
3	80341R1	2	Bleeder Screw	IHC Part # Discontinued
4	391063C1	1	L.H. Backing Plate	IHC Part # Discontinued
	391064C1	1	R.H. Backing Plate	IHC Part # Discontinued
	379181C2	8	Bolt	IHC Part # Discontinued
	120384	8	Washer	IHC Part # Discontinued
	9411971	8	Nut	IHC Part # Discontinued
5	81017R91	4	Bolt	IHC Part # Discontinued
6	9416116	2	Nut	IHC Part # Discontinued
7	391041C1	4	Hold-Down Pin	IHC Part # Discontinued
8	391318C1	2	Cover	IHC Part # Discontinued
9	391043C91	2	Cable w/Spring	IHC Part # Discontinued
10	391042C1	2	Cable Guide	IHC Part # Discontinued
11	391032C1	2	Pin	IHC Part # Discontinued
12	391046C1	1	L.H. Adjuster Spring	IHC Part # Discontinued
	391047C1	1	R.H. Adjuster Spring	IHC Part # Discontinued
13	391044C1	2	Cable Spring	IHC Part # Discontinued
14	391045C1	2	Adjusting Lever	IHC Part # Discontinued
15	459276C92	1	Brake Shoes	IHC Part # Discontinued
16	391317C1	2	Socket	IHC Part # Discontinued
17	391316C1	1	Washer	IHC Part # Discontinued
18	394710C1	1	L.H. Adjusting Screw	IHC Part # Discontinued
	394711C1	1	R.H. Adjusting Screw	IHC Part # Discontinued
	394712C1	1	L.H. Adjusting Nut	IHC Part # Discontinued
	394713C1	1	R.H. Adjusting Nut	IHC Part # Discontinued
19	391068C1	1	L.H. Brake Lever	IHC Part # Discontinued
	391069C1	1	R.H. Brake Lever	IHC Part # Discontinued
20	391072C1	2	Anchor Bolt	IHC Part # Discontinued
21	391071C1	2	Washer	IHC Part # Discontinued
22	391070C1	2	Spring	IHC Part # Discontinued
23	391040C1	4	Hold-Down Spring	IHC Part # Discontinued
24	391037C1	2	Lower Spring	IHC Part # Discontinued
25	391073C1	2	Upper Spring	IHC Part # Discontinued
26	391023C1	4	Push Rod	IHC Part # Discontinued
27	391066C1	1	L.H. Cam	IHC Part # Discontinued
	391067C1	1	R.H. Cam	IHC Part # Discontinued
28	391065C1	2	Bushing	IHC Part # Discontinued

Figure 11
Rockwell Drive Axle Brakes (1979-91)
(Models: HG1250R, HJ1250R)



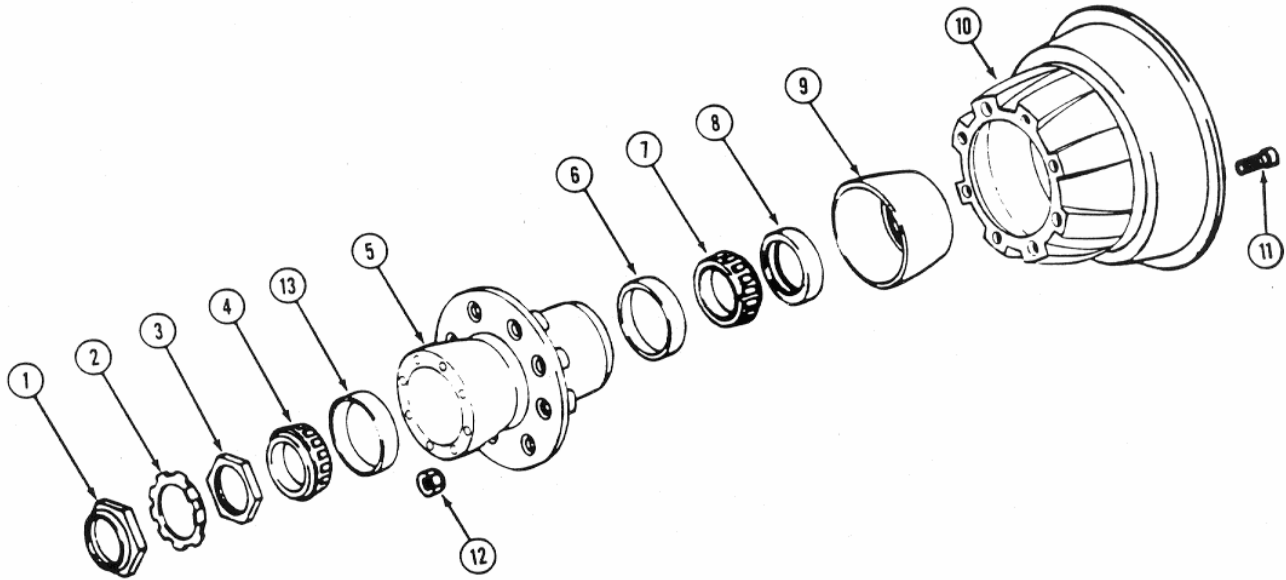
Key No.	Part No.	Qty.	Description	Comments
1	5000499	4	Brake Shoe & Lining	
2	5000501	2	Backing Plate	
3	5000506	2	Return Spring	
4	5555205	4	3/8" Lock Washer	
5	5540203	4	3/8" - 16 x 3/4" Gr. 5 Bolt	
6	5000502	2	Wheel Cylinder	
7	5000477	12	Nut	
8	5000503	4	Adjusting Cam	
9	5000504	4	Hold-Down Nail	
10	5000505	4	Spring & Retainer	
11	5000509	12	Mounting Bolt	
12	5000478	12	Washer	
13	5540203H	2	3/8" - 16 x 3/4" Gr. 8 Bolt	
14	5000507	2	Flat Washer	
15	5000508	2	Retainer Spring	

Figure 12
IHC Steering Axle Hub (1974-83)
(S/N: HD1250001-158, HG(R)1250001-315, HJ(R)1250001-665)



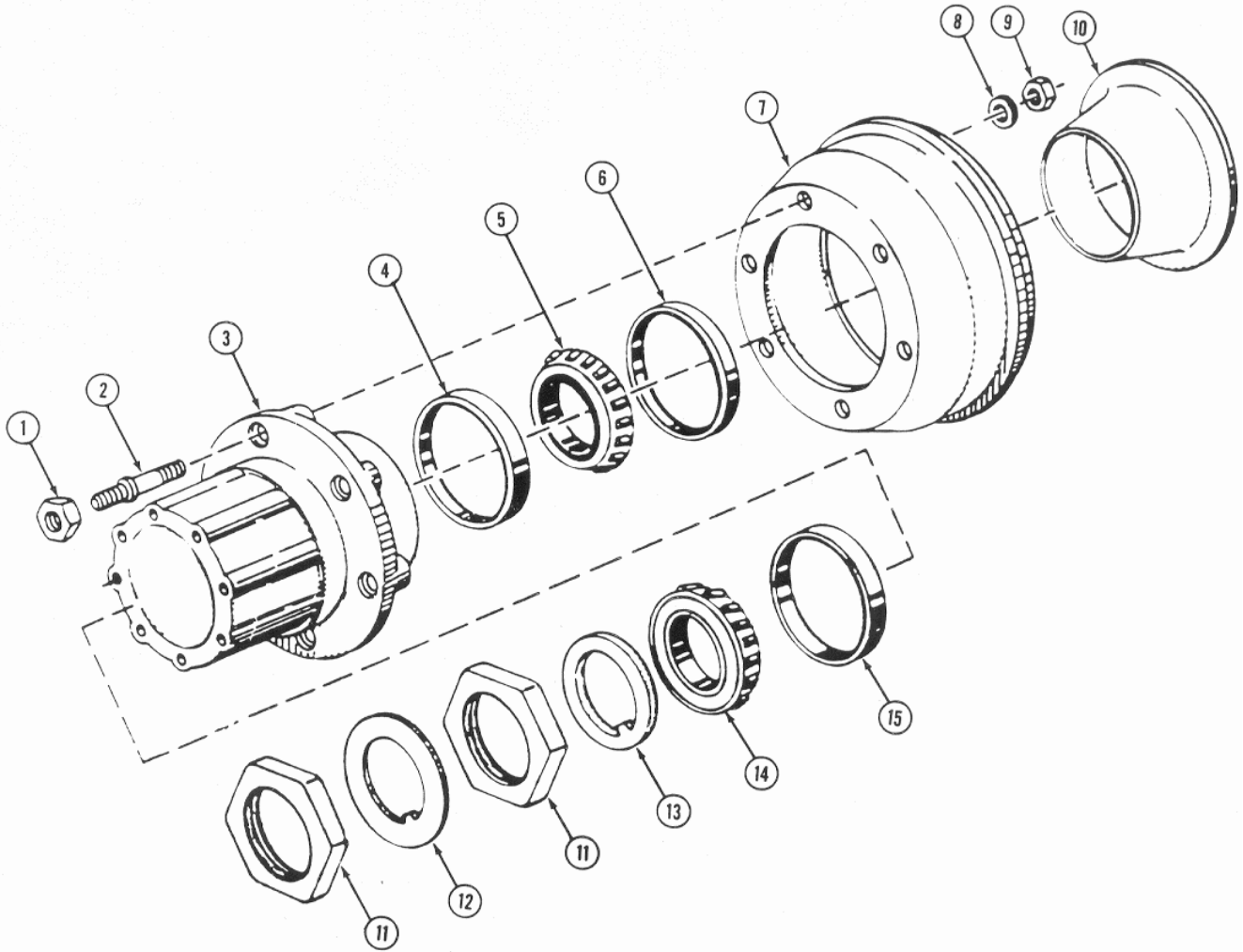
Key No.	Part No.	Qty.	Description	Comments
1	376748C1	2	Grease Cap	IHC Part # Discontinued
2	427646	2	Bearing Nut	IHC Part # Discontinued
3	97787HA	2	Washer	IHC Part # Discontinued
4	573324R91	2	Outer Bearing	IHC Part # Discontinued
5	642954R1	2	Outer Bearing Cup	IHC Part # Discontinued
6	376426C11	2	Hub w/Cups	IHC Part # Discontinued
7	376427C1	2	Brake Drum	IHC Part # Discontinued
8	ST860	2	Inner Bearing Cup	IHC Part # Discontinued
9	ST2053	2	Inner Bearing	IHC Part # Discontinued
10	376755C91	2	Grease Seal	IHC Part # Discontinued
11	384924C3	1	Grease Guard	IHC Part # Discontinued
12	376454C1	8	L.H. Wheel Bolt	IHC Part # Discontinued
	376455C1	8	R.H. Wheel Bolt	IHC Part # Discontinued
13	4001687	8	L.H. Wheel Nut	IHC Part #
	4001688	8	R.H. Wheel Nut	IHC Part #

Figure 13
IHC Drive Axle Hub (1974-82)
(Models: HD1250, HG1250, HJ1250)



Key No.	Part No.	Qty.	Description	Comments
1	376777C1	4	Bearing Nut	IHC Part #
2	376776C1	2	Lock	IHC Part #
3	376780C1	2	Washer	IHC Part #
4	364463C91	2	Outer Bearing	IHC Part # Discontinued
5	376443C11	2	Hub w/Cups	IHC Part # Discontinued
6	610513C1	2	Inner Bearing Cup	IHC Part #
7	364465C91	2	Inner Bearing	IHC Part #
8	395500R92	2	Grease Seal	IHC Part # Discontinued
9	376458C1	2	Grease Guard	IHC Part # Discontinued
10	376435C1	2	Brake Drum	IHC Part #
11	376450C1	8	L.H. Wheel Bolt	IHC Part #
	376451C1	8	R.H. Wheel Bolt	IHC Part #
12	4001687	8	L.H. Wheel Nut	
	4001688	8	R.H. Wheel Nut	
13	376463C1	2	Outer Bearing Cup	IHC Part # Discontinued

Figure 14
Rockwell Drive Axle Hub (1979-91)
(Models: HG1250R, HJ1250R)



Key No.	Part No.	Qty.	Description	Comments
1	4001665	6	L.H. Wheel Nut	
	4001664	6	R.H. Wheel Nut	
2	5000513	6	L.H. Wheel Stud	
	5000514	6	R.H. Wheel Stud	
3	5000515	2	Hub with Cups	
4	5000519	2	Inner Bearing Cup	
5	5000520	2	Inner Bearing	
6	5000521	2	Seal	
7	5000510	2	Brake Drum	
8	5000512	12	Flat Washer	
9	5000511	12	Nut	
10	5000522	2	Grease Guard	
11	5000448	4	Bearing Nut	
12	5000451	2	Lock	
13	5000516	2	Thrust Washer	
14	5000517	2	Outer Bearing	
15	5000518	2	Outer Bearing Cup	

Figure 15
Service Brakes IHC Axles (1974-83)
(S/N: HD1250001-158, HG(R)1250001-315, HJ(R)1250001-665)

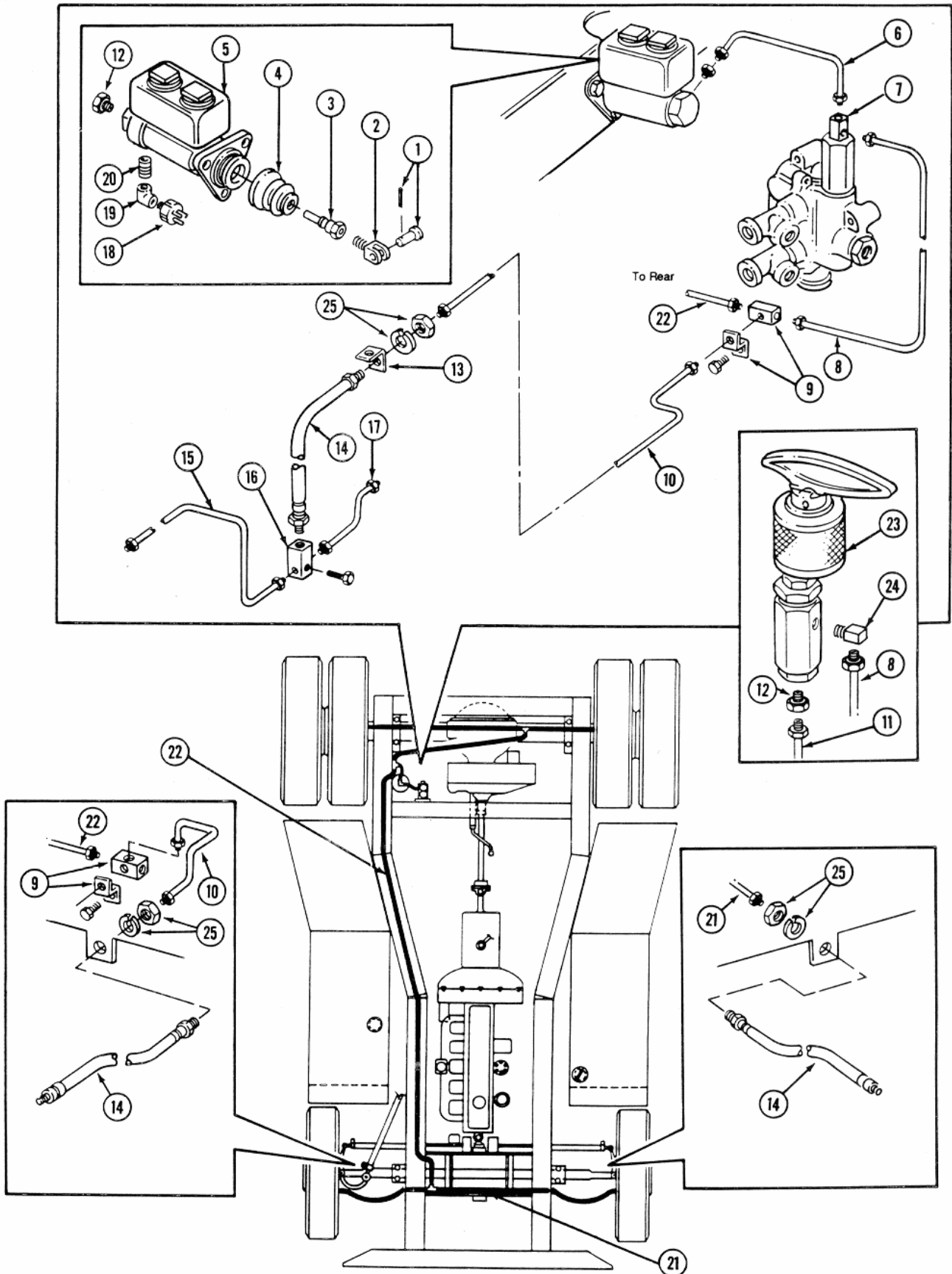


Figure 15
Service Brakes IHC Axles (1974-83)
(S/N: HD1250001-158, HG(R)1250001-315, HJ(R)1250001-665)

Key No.	Part No.	Qty.	Description	Comments
1	4000449	1	Clevis Pin	
	5556536	1	3/32 x 1" Cotter Pin	
2	4750074	1	Clevis	
3	4001328	1	Push Rod	
4	4001329	1	Boot	
5	4001327	1	Master Cylinder (Disc. 1987)	Models with drum brakes on steering axle thru 1983.
	5000372	1	Repair Kit for 4001327	
	4001897A	1	Master Cylinder w/Boot (1987-)	Models with drum brakes on steering axle thru 1983.
	5000636	1	Repair Kit for 4001897	
	5000643	1	Filler Plug	
	5000644	1	Plug Seal	
	5000646	1	Vented Plug	
6	2000337	1	15" Brake Line	
7	4001200	1	Bypass Valve Tee	
8	2000126	1	24" Brake Line	
9	4001906	2	Tee	
	3002005	2	Tee Bracket	
10	2000125	1	10" Brake Line	
11	2000123	1	22" Brake Line	
12	4001331	1	Adapter	
13	3000423	1	Mounting Angle	
14	4001326	3	Brake Hose	
15	5000632	1	Brake Line	
16	4001685	1	Tee	
17	5000633	1	Brake Line	
18	4000810	1	Stop Light Switch	
19	4001875	1	1/8" - 90° Elbow	
20	4001860	1	1/8" x 2 Nipple	
21	2000122	1	28" Brake Line	HJ & HD Models
	2000551	1	43" Brake Line	HG Models
22	2000124	1	91" Brake Line	
23	4001162	1	Hydraulic Parking Brake	Optional, Discontinued 1992
	5000551	1	Repair Kit for 4001162	
24	4000426	1	Elbow	
25	5550619	3	5/8"-16 Jam Nut	
	5555209	3	5/8" Lockwasher	

Figure 16
Service Brakes Rockwell and Spicer Axles (1984-91)
(Models: HG1250R, HJ1250R S/N: 3000-3599)

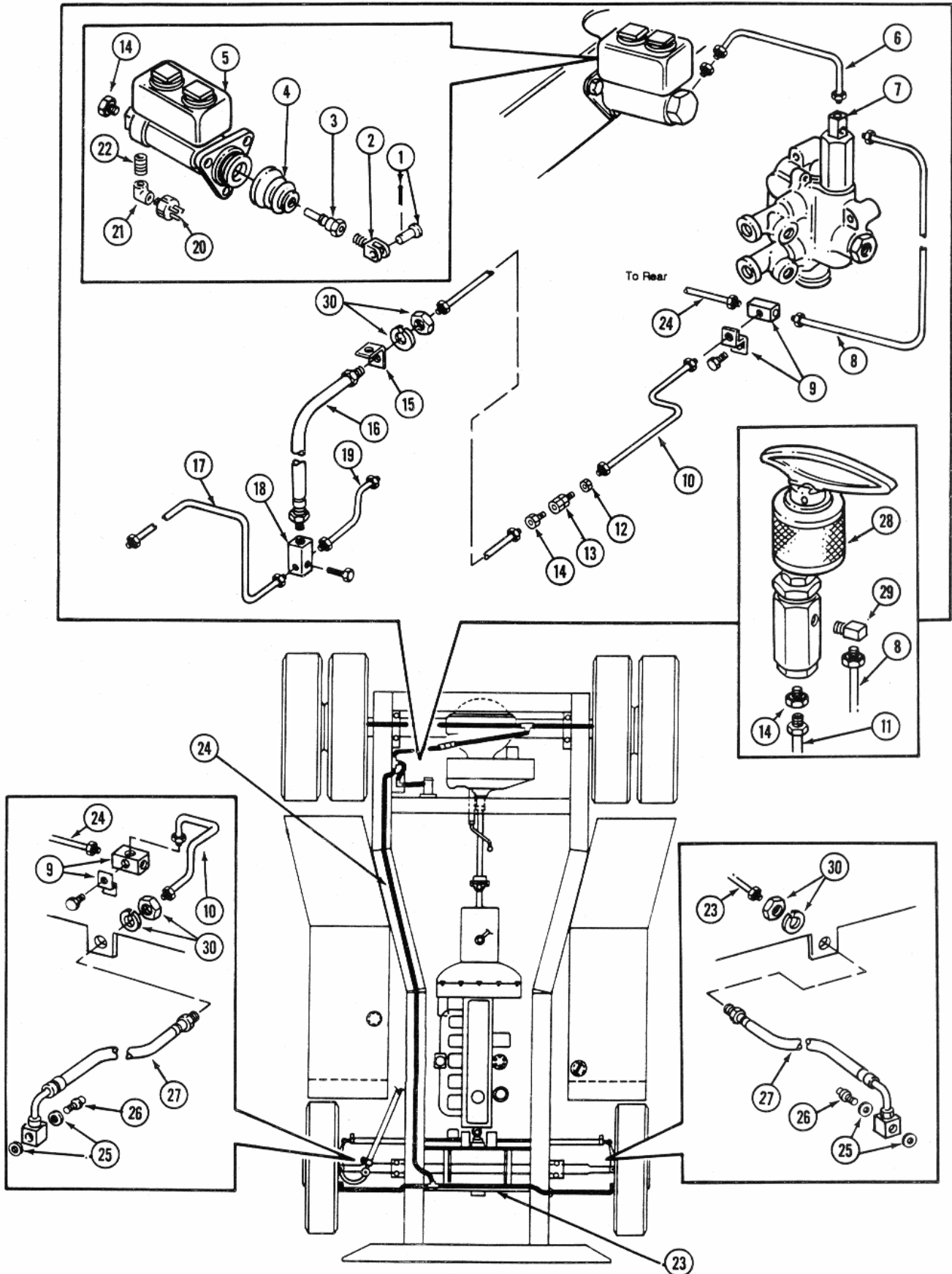
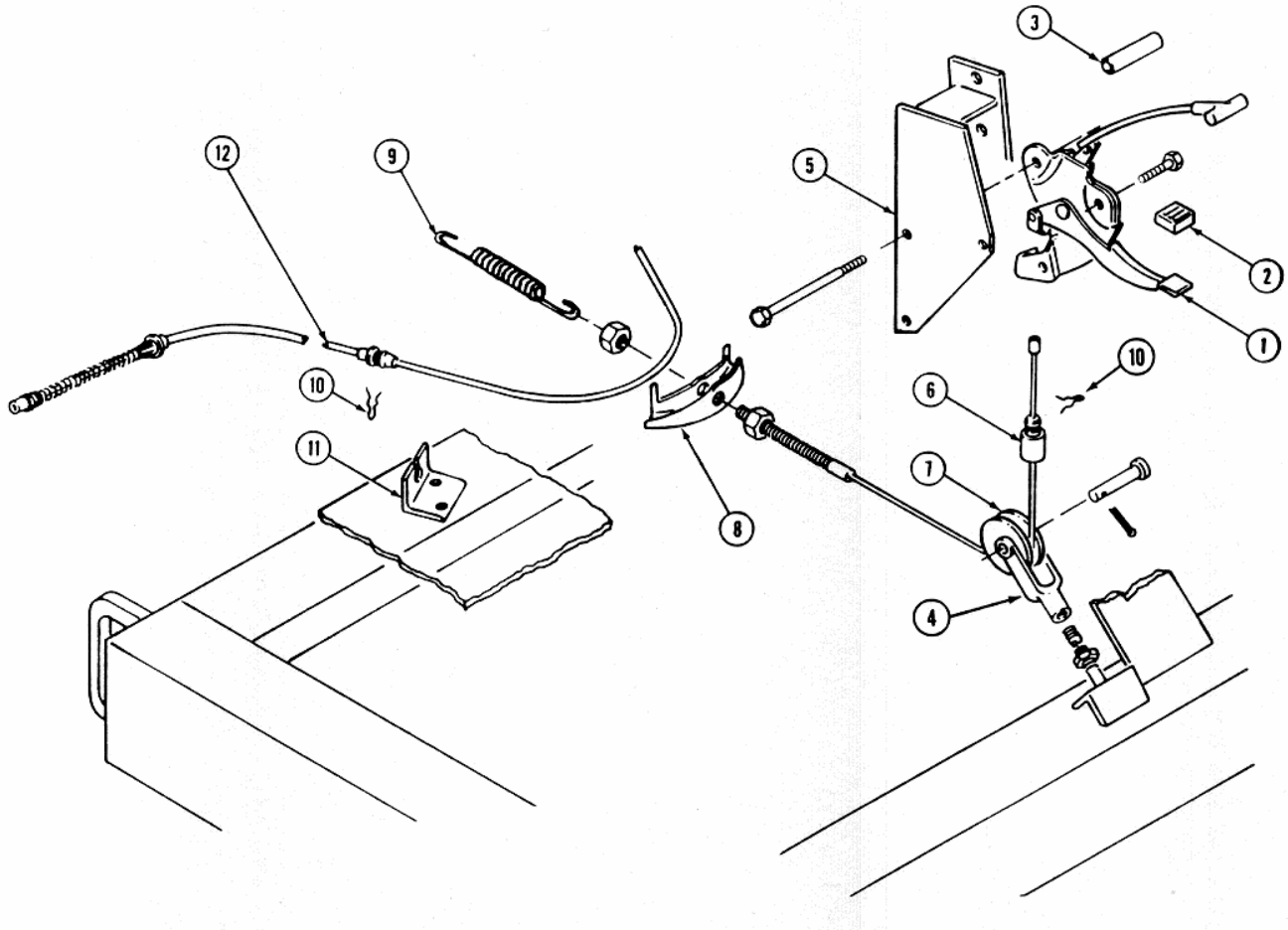


Figure 16
Service Brakes Rockwell and Spicer Axles (1984-91)
(Models: HG1250R, HJ1250R S/N: 3000-3599)

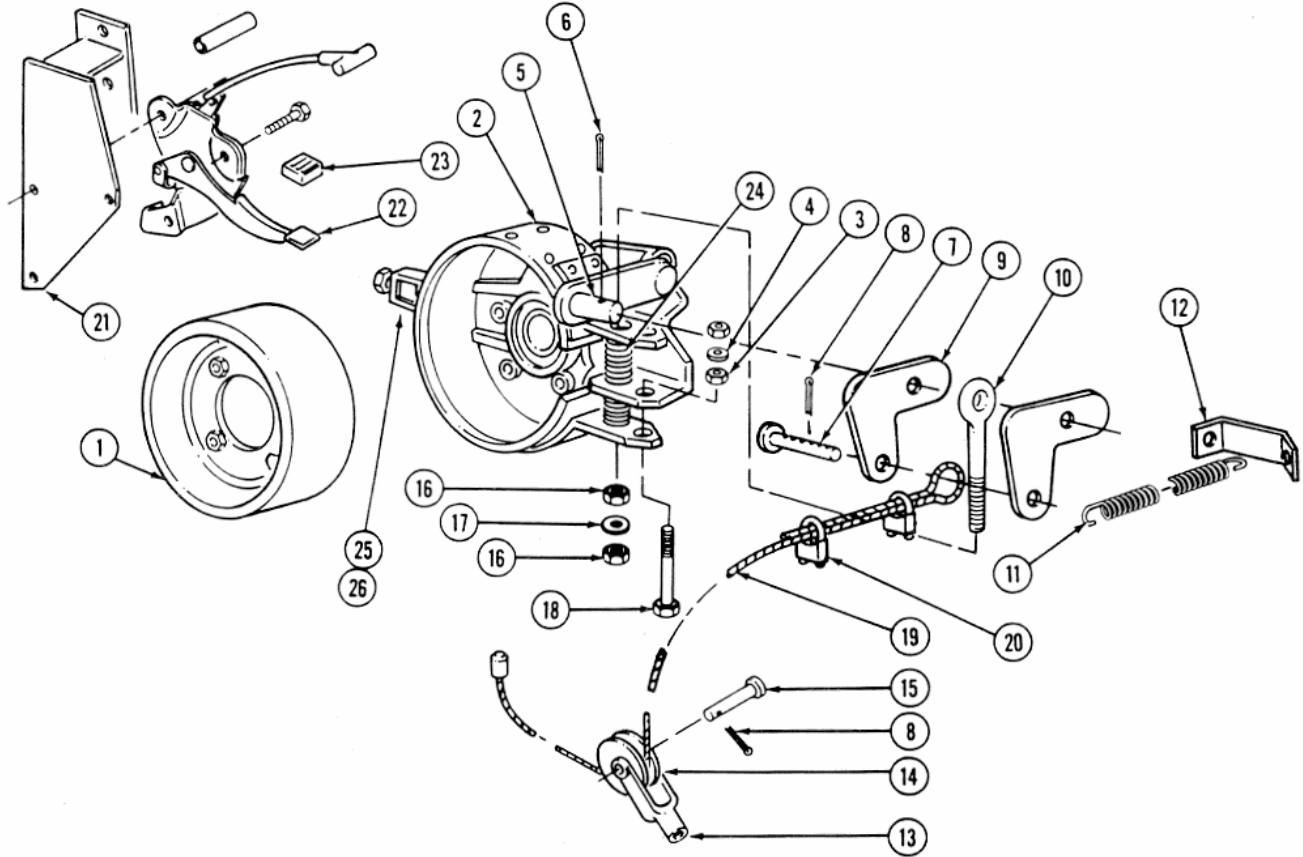
Key No.	Part No.	Qty.	Description	Comments
1	4000449	1	Clevis Pin	
	5556536	1	3/32 x 1" Cotter Pin	
2	4750074	1	Clevis	
3	4001328	1	Push Rod	
4	4001329	1	Boot	
5	4001799	1	Master Cylinder	Used only on units with disc brakes on steering axle. Discontinued 1987
	5000372	1	Repair Kit for 4001799	
	4001899A	1	Master Cylinder w/Boot	Used only on units with disc brakes on steering axle. (1987-91)
	5000636	1	Repair Kit for 4001899	
	5000643	1	Filler Plug	
	5000644	1	Plug Seal	
	5000646	1	Vented Plug	
6	2000337	1	15" Brake Line	
7	4001200	1	Bypass Valve Tee	
8	2000126	1	24" Brake Line	
9	4001906	2	Tee	
	3002005	2	Tee Bracket	
10	2000125	3	10" Brake Line	
11	2000123	1	22" Brake Line	
12	4001804	1	Adapter	
13	4001800	1	Residual Valve	
14	4001331	2	Adapter	
	4002068	1	Tee	
15	3000423	1	Mounting Angle	
16	4001326	1	Brake Hose	
17	2000600	1	Brake Line	
	2000753	1	Brake Line	
18	4001685	1	Tee	
19	2000601	1	Brake Line	
	2000754	1	Brake Line	
20	4000810	1	Stop Light Switch	
21	4001875	1	1/8 - 90° Elbow	
22	4001860	1	1/8 x 2 Nipple	
23	2000122	1	28" Brake Line	HJ,HD Models
	2000551	1	43" Brake line	HG Models
24	2000124	1	91" Brake line	
25	4001803	4	Seal	
26	4001802	2	Banjo Bolt	
27	4001801	2	Brake Hose	
28	4001162	1	Hydraulic Parking Brake	Optional, Discontinued 1992
	5000551	1	Repair Kit for 4001162	
29	4000426	1	Elbow	
30	5550619	3	5/8"-16 Jam Nut	
	5555209	3	5/8" Lockwasher	

Figure 17
Parking Brake IHC Drive Axle (1974-83)
(Models: HD1250, HG1250, HJ1250)



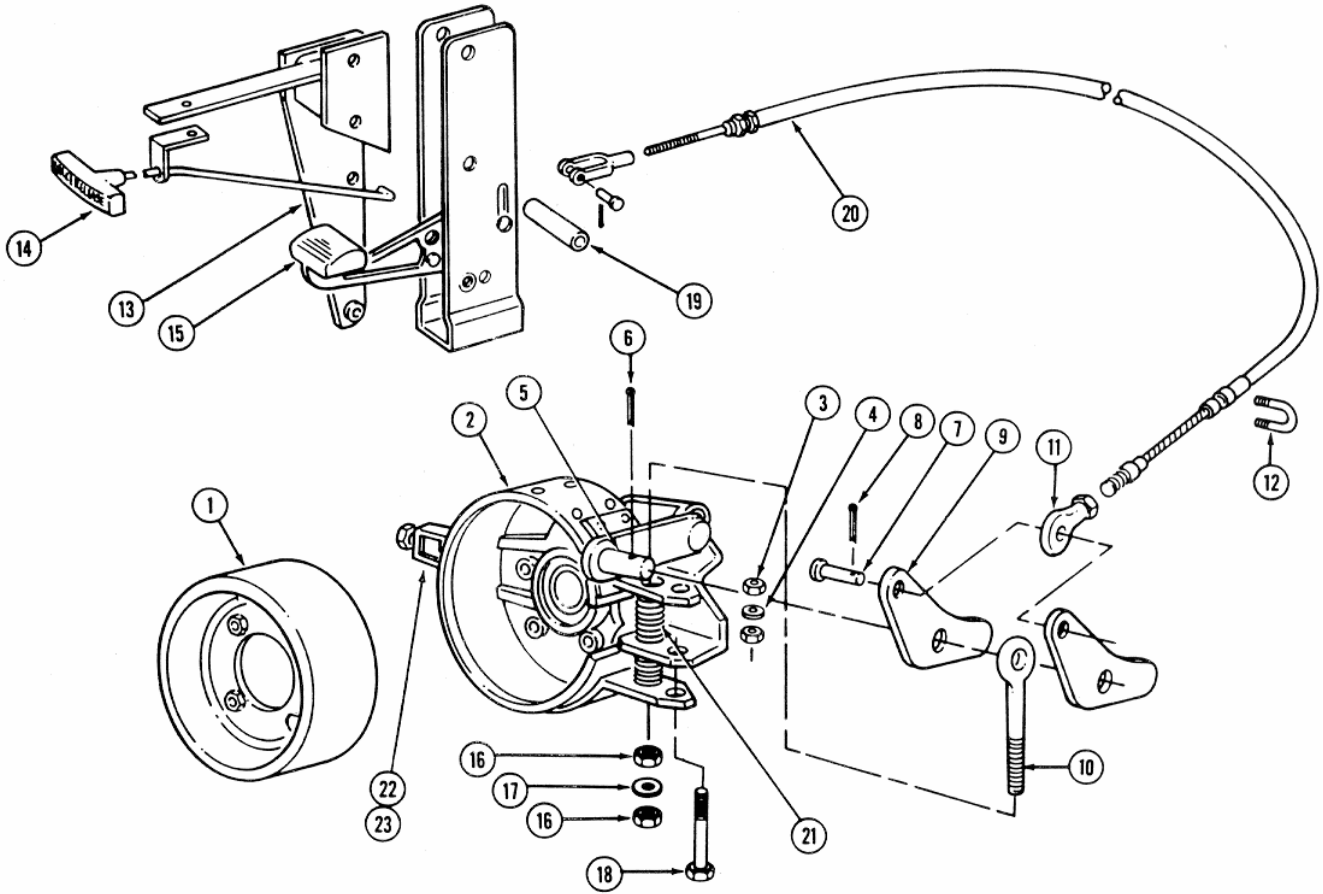
Key No.	Part No.	Qty.	Description	Comments
1	4000837	1	Brake Lever	Discontinued
2	4000838	1	Pedal Pad	
3	3000839	1	Spacer	
4	4000012	1	Clevis	
	4001168	1	Clevis Pin	
	5556536	1	3/32 x 1" Cotter Pin	
5	2000274	1	Mounting Bracket	
6	2000279	1	Cable Assembly	
7	4000935	1	Pulley	
8	4000840	1	Guide Yoke	
9	4001280	1	Return Spring	
10	4000839	3	Hairpin Clip	
11	3000844	2	Cable Bracket	
12	4000819	1	Brake Cable	

Figure 18
Parking Brake Rockwell Drive Axle (1979-84)
(Models: HG1250R, HJ1250R, Thru S/N: 3110)



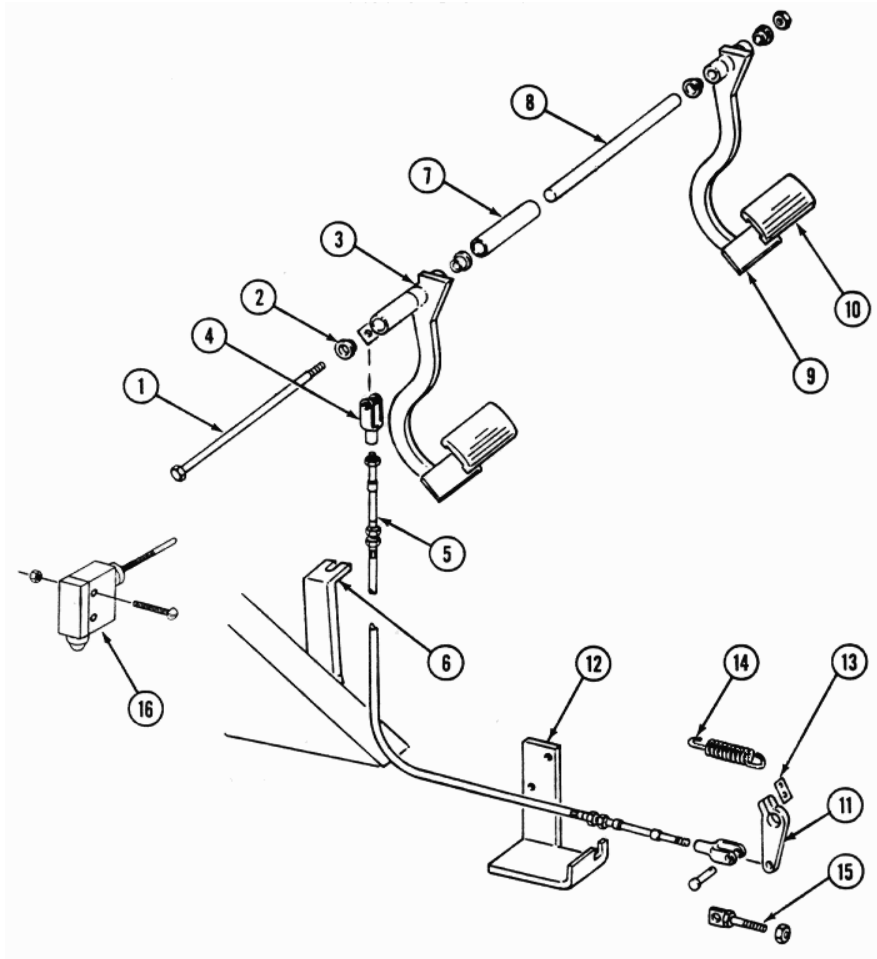
Key No.	Part No.	Qty.	Description	Comments
1	2000576	1	Brake Drum	
2	4001654	1	Brake Band	Items 3-6, 10, 16, 17 & 18
	5000543	1	Brake Band Only	
3	5550008	2	1/4" - 20 Hex Nut	
4	5555203	1	1/4" Lock Washer	
5	5000536	1	Clevis Pin	
6	5556566	1	1/8 x 1" Cotter Pin	
7	4001668	1	Clevis Pin	
8	5556536	3	3/32 x 1" Cotter Pin	
9	3001764	2	Parking Brake Cam	
10	5000537	1	Eye Bolt	
11	4001669	1	Return Spring	
12	3001748	1	Spring Bracket	
13	4000012	2	Clevis	
14	4000935	2	Pulley	
15	4001168	2	Clevis Pin	
16	5550614	2	7/16" - 14 Jam Nut	
17	5555206	1	7/16" Lock Washer	
18	5000538	1	Adjusting Bolt	
19	2000563	1	Cable	
20	4001670	2	Cable Clamp	
21	2000274	1	Mounting Bracket	
22	4000837	1	Brake Lever	
23	4000838	1	Pedal Pad	
24	5000639	2	Spring	
25	5000754	1	Bolt	
26	5000755	1	Spring	

Figure 19
Parking Brake Rockwell Drive Axle (1985-91)
(Models: HG1250R, HJ1250R, S/N: 3129-3599)



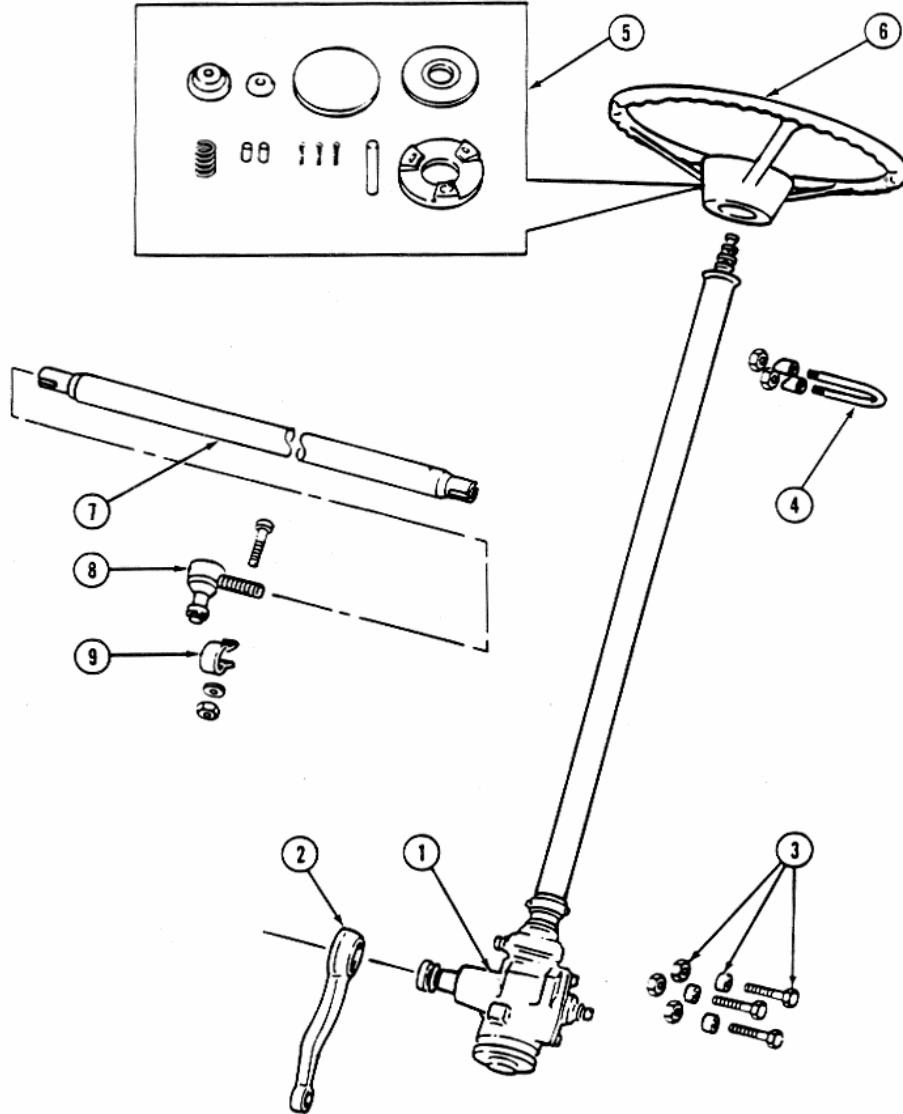
Key No.	Part No.	Qty.	Description	Comments
1	2000576	1	Brake Drum	
2	4001654	1	Brake Band	Items 3-6, 10, 16, 17 & 18
	5000543	1	Brake Band Only	
3	5550008	2	1/4" - 20 Hex Nut	
4	5555203	1	1/4" Lock Washer	
5	5000536	1	Clevis Pin	
6	5556566	1	1/8 x 1" Cotter Pin	
7	5000618	1	Clevis Pin	
8	5556536	1	3/32 x 1 Cotter Pin	
9	5000616	2	Parking Brake Cam	
10	5000537	1	Eyebolt	
11	5000619	1	Rod End	
12	4001817	1	U-Bolt	
13	2000651	1	Mounting Bracket	
14	4001815	1	Release Lever	
15	4001814	1	Brake Lever	
16	5550614	2	7/16" - 14 Jam Nut	
17	5555206	1	7/16" Lock Washer	
18	5000538	1	Adjusting Bolt	
19	3001871	1	Spacer	
20	4001816	1	Cable Assembly	
21	5000639	2	Spring	
22	5000754	1	Bolt	
23	5000755	1	Spring	

Figure 20
Clutch and Brake Pedals



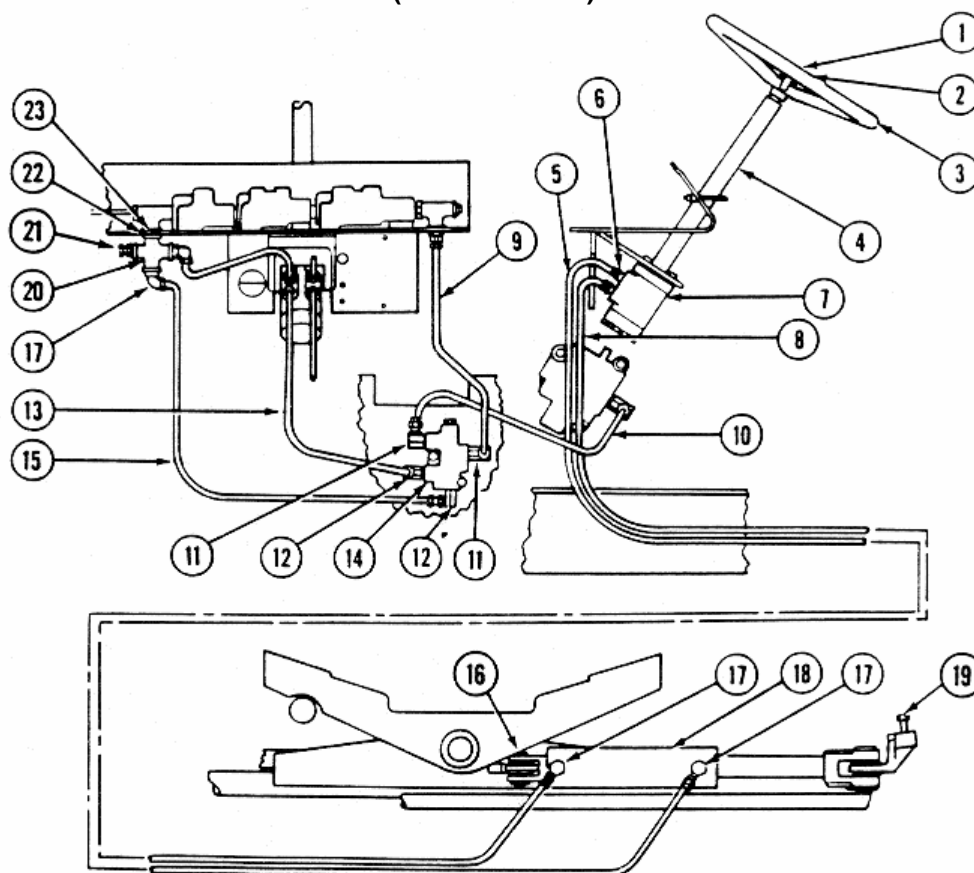
Key No.	Part No.	Qty.	Description	Comments
1	2000409	1	Shaft Bolt	
2	4000777	4	Nylon Bushing	
3	2000401	1	Clutch Lever	
4	4001236	2	Clevis	
	4001282	2	Clevis Pin	
	5556536	2	3/32 x 1" Cotter Pin	
5	4001392	1	Clutch Cable	
6	3001389	1	Cable Bracket	
7	3001399	1	Spacer	
8	3001400	1	Tube	
9	2000402	1	Brake Lever	
10	4001269	2	Pedal Pad	
11	3001682	1	Clutch Bellcrank	HJ, 7/8" Shaft
	4001682	1	#9 Woodruff Key	
	3001511	1	Clutch Bellcrank	HD,HJ, 1" Shaft
	4001166	1	#11 Woodruff Key	
12	3001388	1	Cable Bracket	HG
	2000466	1	Cable Bracket	HD,HJ
13	3001386	1	Spring Bracket	HG
	3001641	2	Spring Bracket	HD,HJ
14	4001280	1	Spring	
15	2000400	1	Clutch Lug	HG
16	4002143	1	Safety Switch	
	5503071	2	#6-32 x 1-1/8" Screw	
	5550402	2	#6-32 ESNA Locknut	

Figure 21
Manual Steering Gear (1974-84)
(Thru S/N: 3110)



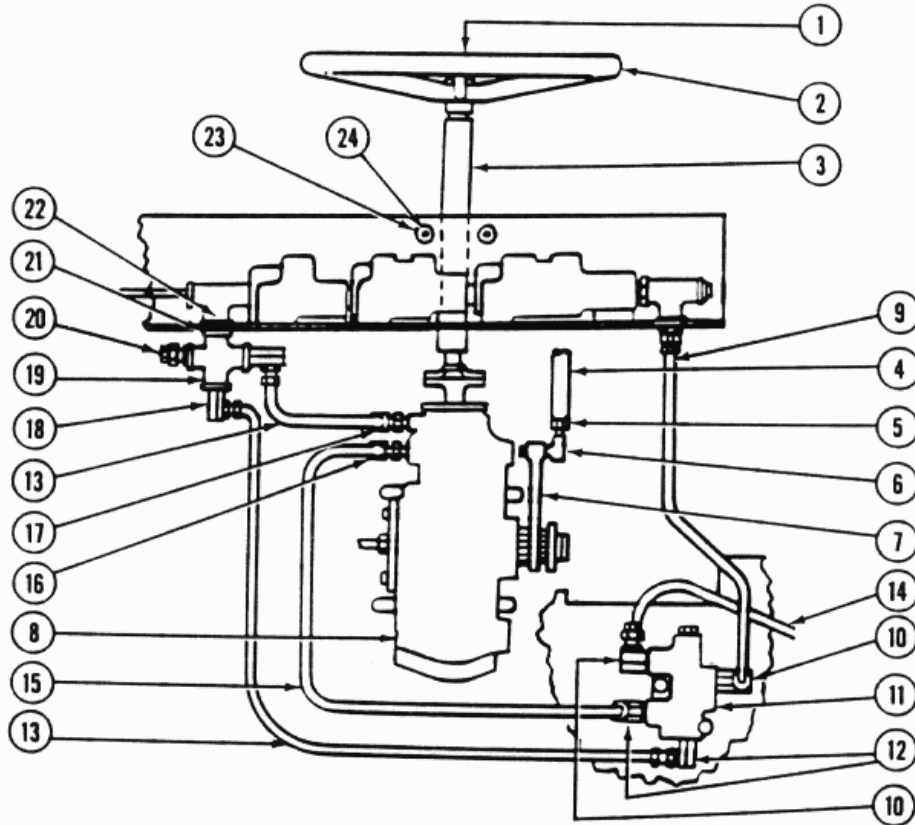
Key No.	Part No.	Qty.	Description	Comments
1	4000184	1	Steering Gear	
	5000556	1	Top Spring	
	5000554	1	Column Bearing	
2	4750031	1	Pitman Arm	
3	3001221	3	Spacer	
	5540360	3	7/16" - 20 2-1/4" Bolt	
	5550415	3	7/16" - 20 Lock Nut	
4	4000725	1	U-Bolt	
	3001220	2	Beveled Washers	
5	4000835	1	Horn Button Kit	
6	4001176	1	Steering Wheel	
	5000555	1	Steering Wheel Nut	
7	2000349	1	Drag Link	IHC Axles, 1974-83
	2000653	1	Drag Link	Spicer Axles, 1984-91
8	4000794	2	Tie Rod End	
9	4001172	2	Clamp w/Bolt	

Figure 22
Hydraulic Steering (Optional 1974-84)
(Thru S/N: 3110)



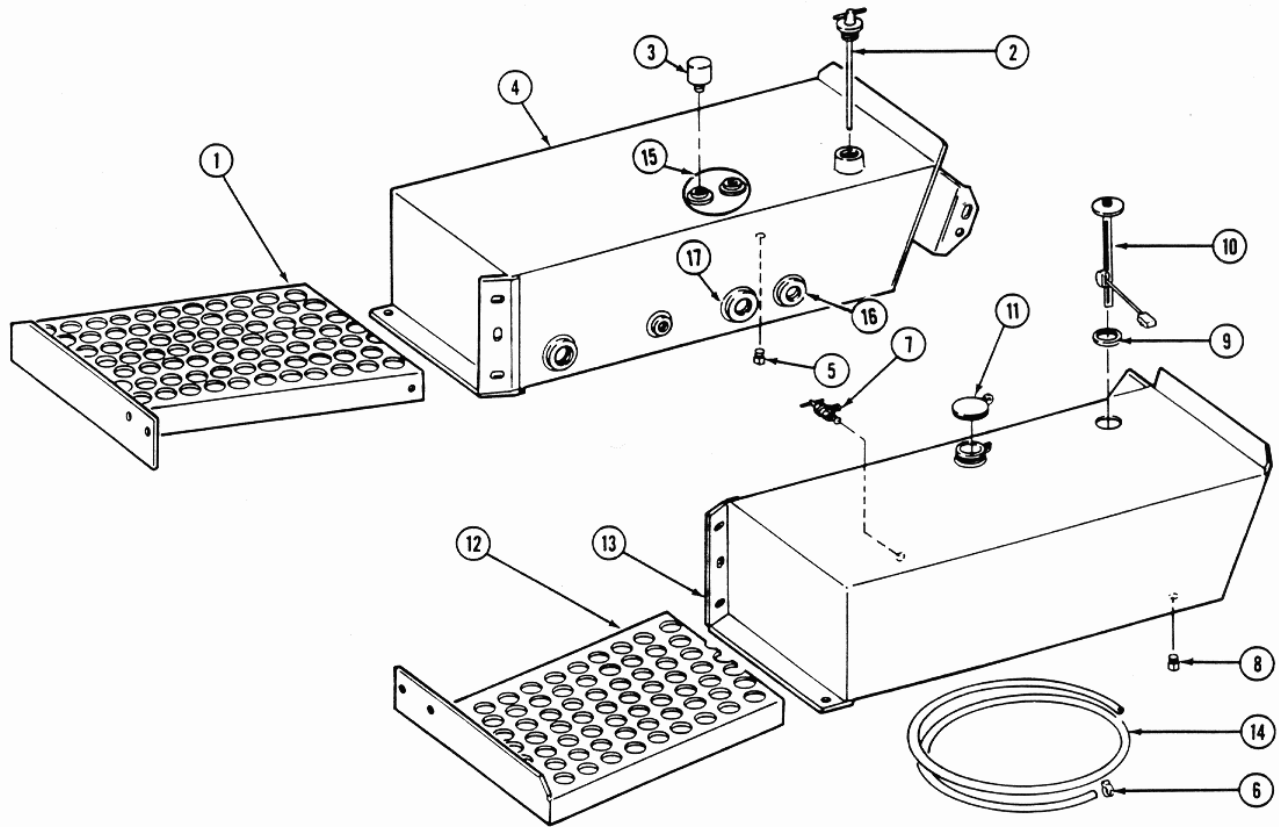
Key No.	Part No.	Qty.	Description	Comments
1	4001794	1	Horn Button Kit	
2	4003070	1	Steering Wheel Nut	
3	4003067	1	Steering Wheel	
4	4001793	1	Steering Column	
5	4001308	1	3/8 x 118" Hose	
6	4000342	4	Adapter Swivel	
7	4003068	1	Steering Control Unit	
	5000591	1	Seal Kit	
8	4001425	1	3/8 x 126" Hose	
9	4001300	1	1/2 x 22" Hose	
10	4001303	1	1/2 x 17" Hose	
11	4000122	2	1/2 - 90° Swivel	
12	4001290	2	3/8 - 90° Swivel	
13	4001423	1	3/8 x 24" Hose	
14	4001356	1	Flow Divider	
15	4001421	2	3/8 x 30" Hose	
16	2000476	1	Cylinder Mount	IHC Axles
	2000655	1	Cylinder Mount	Spicer Axles
17	4000347	4	1/2 x 3/8" - 90° Swivel	
18	4001415	1	Steering Cylinder w/Pins	
	5000592	1	Seal Kit	
19	2000475	1	Pivot Angle	IHC Axles
	2000658	1	Steering Arm	Spicer Axles
20	4001855	1	1/2" Cross	
21	4000392	1	1/2 x 3/8" Swivel	
22	4001864	1	1/2 x 2" Nipple	
23	4001857	1	3/4 x 1/2" Reducer	

Figure 23
Power Steering (1985-91)
(S/N: 3129-3599)



Key No.	Part No.	Qty.	Description	Comments
1	4000835	1	Horn Button Kit	
2	4001176	1	Steering Wheel	
	5000555	1	Steering Wheel Nut	
3	4001820	1	Steering Column	
	5000836		Column Bearing Seal Kit	
4	2000653	1	Drag Link	
5	4001172	2	Clamp	
6	4000794	2	Tie Rod End	
7	4001818	1	Pitman Arm	
8	4001819	1	Power Steering Gear	
	5000625	1	Valve Ring Seal Kit	
	5000626	1	Side Cover Seal Kit	
	5000627	1	Pitman Shaft Seal Kit	
9	4001300	1	1/2 x 22" Hose	
10	4000122	2	1/2" - 90° Swivel	
11	4001356	1	Flow Divider	
12	4001290	2	3/8" - 90° Swivel	
13	4001421	2	3/8 x 30" Hose	
14	4001303	1	1/2 x 17" Hose	
15	4001423	1	3/8 x 24" Hose	
16	2000687	1	18mm Adapter	
17	2000686	1	16mm Adapter	
18	4000347	2	1/2 x 3/8" - 90° Swivel	
19	4001855	1	1/2" Cross	
20	4000392	1	1/2 x 3/8" Swivel	
21	4001864	1	1/2 X 2" Nipple	
22	4001857	1	3/4 x 1/2" Reducer	
23	4000725	1	U-Bolt	
24	3001220	1	Beveled Washer	

Figure 24
Fuel and Hydraulic Tanks



Key No.	Part No.	Qty.	Description	Comments
1	2000369	1	R.H. Step	
2	4001254	1	Oil Cap/Dipstick	
3	4001453	1	Breather	
4	2000367	1	Hydraulic Tank	Discontinued 1989, S/N 3416
	2000713	1	Hydraulic Tank w/Filter	(S/N 3417-3599) Assembly 2000717
5	4000538	1	Drain Plug	
6	4000857	1	Hose Clamp	
7	4001346	1	Fuel Valve	
8	4001684	1	Drain Plug	
9	4001413	1	Gasket	
10	4001412	1	Sending Unit	
11	4001339	1	Fuel Tank Cap	
12	2000370	1	L.H. Step	
13	2000368	1	Fuel Tank	
14	4001384	1	75" Fuel Hose	HD
	4001383	1	31" Return Line	HD
	4001338	1	61" Fuel Hose	HG
	4001504	1	32" Fuel Hose	HJ
	4001505	1	46" Return Line	HJ
15	3002011	1	Cover Gasket	(S/N 3417-3599)
	2000714	1	Access Cover	(S/N 3417-3599)
16	4001958	1	1-1/4" Tank Filter	(S/N 3417-3599)
17	4001959	1	2" Tank Filter	(S/N 3417-3599)

Figure 25
HD1250 Detroit Diesel
Engine/Transmission

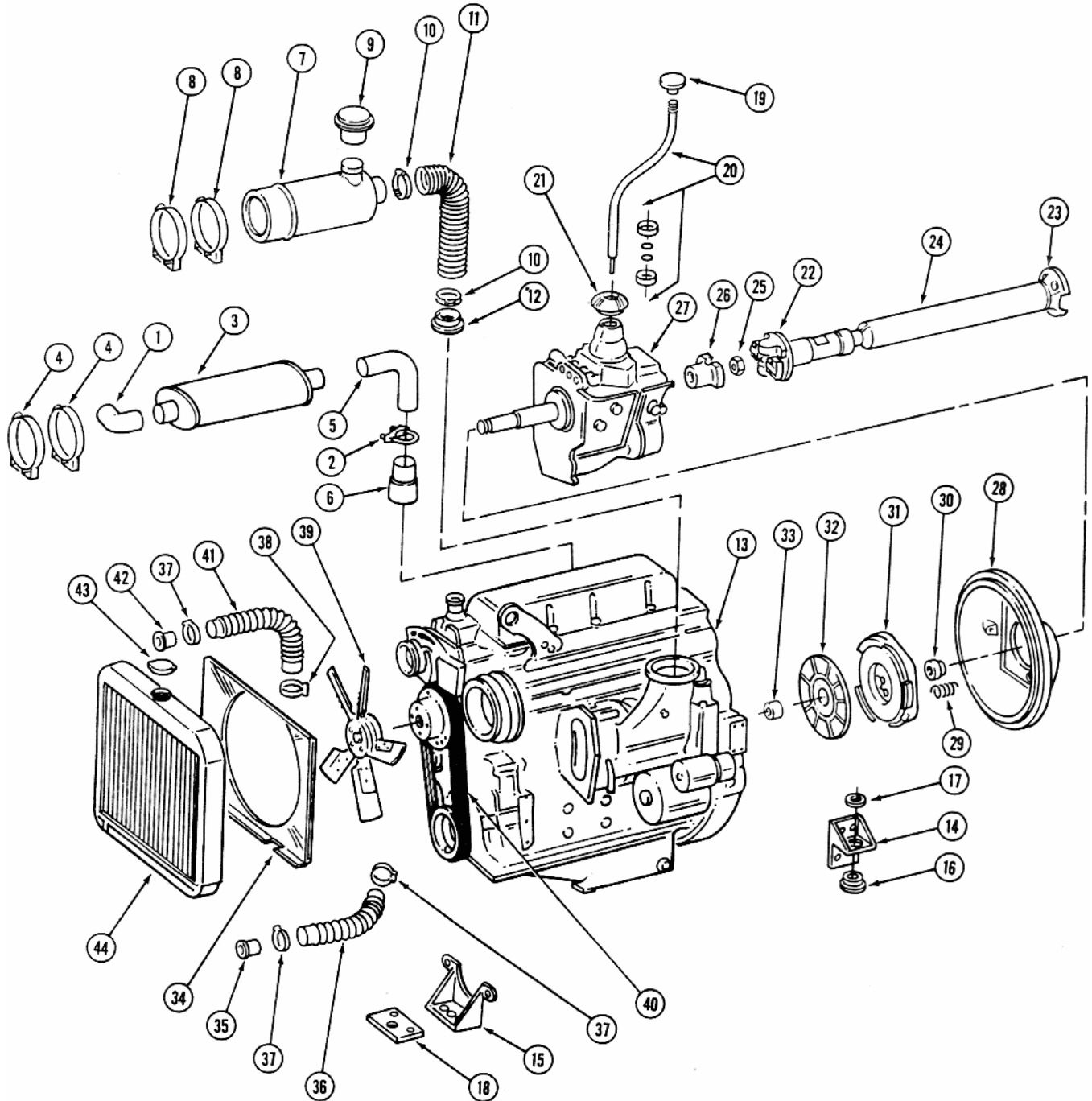


Figure 25
HD1250 Detroit Diesel
Engine/Transmission

Key No.	Part No.	Qty.	Description	Comments
1	4750146	1	Exhaust Elbow	Discontinued
2	4000132	3	3" Muffler Clamp	
3	4001462	1	Muffler	Discontinued
4	4001463	2	Mounting Band	Discontinued
5	2000494	1	Exhaust Pipe	Discontinued
6	2000493	1	Adapter Pipe	Discontinued
7	4001363	1	Air Cleaner	
	5000375	1	Air Filter	
8	4001364	2	Mounting Band	
9	4001365	1	Intake Cap	
10	4001368	2	#44 Hose Clamp	
11	4001366	1	3" Air Hose	
12	2000458	1	Intake Adapter	Discontinued
13	*****	1	Detroit 3-53 Engine	
14	2000444	2	Engine Mount	Discontinued
15	2000443	1	Engine Mount	Discontinued
16	4001398	3	Rubber Mount	
17	3001690	3	Washer	
18	3001453	1	Mounting Plate	Discontinued
19	5000396	1	Gearshift Knob	
20	4001652	1	Shift Lever Kit	
21	4001452	1	Dust Cover	
22	5000186	1	U-Joint w/Screws, Transmission End	
23	5000187	1	U-Joint w/Screws, Axle End	
24	4001175	1	Driveshaft	
25	5000558	1	Nut	
26	4001336	1	Transmission Yoke	
27	4001461	1	Transmission	
	4001528	1	Transmission Seal	
28	4001653	1	Clutch Housing	
29	4001478	1	Spring	
30	4001477	1	Clutch Release Bearing	
31	4001784	1	Pressure Plate	
32	4001783	1	Clutch	
33	5000541	1	Pilot Bearing	
34	2000538	1	Fan Shroud	Discontinued
35	4001455	1	Hose Bushing	Discontinued
36	4001456	1	Lower Radiator Hose	
37	4001344	3	#32 Hose Clamp	
38	4000501	1	#28 Hose Clamp	
39	5000384	1	Fan	Discontinued
40	4001577	2	Fan Belt	
41	4001457	1	Upper Radiator Hose	
42	4001454	1	Hose Bushing	Discontinued
43	4001372	1	Radiator Cap	Discontinued
44	5000180	1	Radiator	

Figure 26
 HG1250, HGR1250 Ford Gasoline
 Engine/Transmission

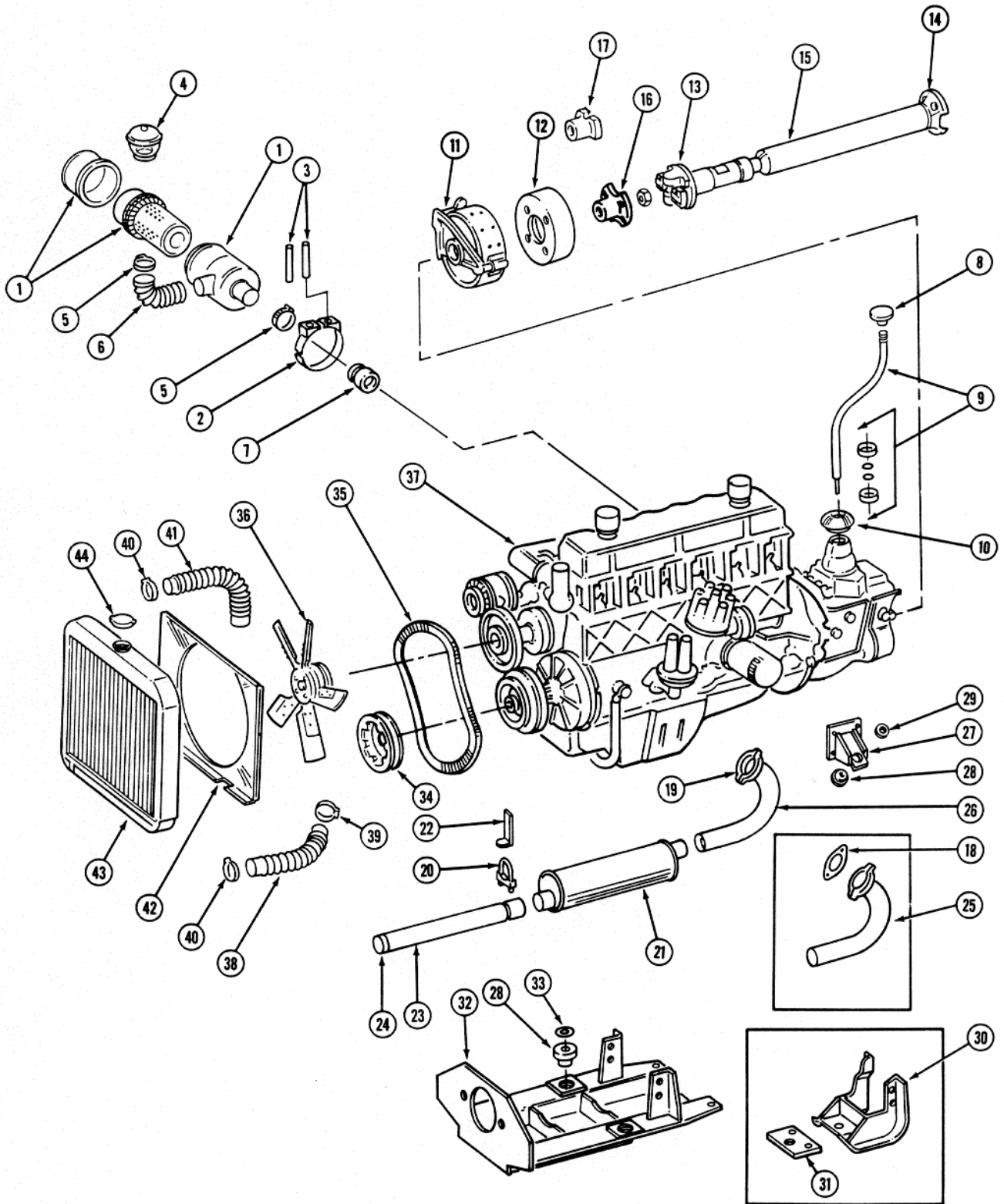


Figure 26
HG1250, HGR1250 Ford Gasoline
Engine/Transmission

Key No.	Part No.	Qty.	Description	Comments
1	4001485	1	Air Cleaner	
	5000369	1	Air Filter	
2	4001534	2	Mounting Band	
3	3001473	4	Spacer	
4	4001628	1	Pre Cleaner	
5	4000550	4	#40 Hose Clamp	
6	4750136	1	2-1/2" Air Hose	
7	4001251	1	Rubber Adapter	
8	5000396	1	Gear Shift Knob	
9	4001652	1	Shift Lever Kit	
10	4001452	1	Dust Cover	
11	4001654	1	Parking Brake	1250R
12	2000576	1	Brake Drum	1250R
13	5000186	1	U-Joint w/Screws, Trans. End	1250R-None
14	5000187	1	U-Joint w/Screws, Axle End	1250R-2 Req'd.
15	4000990	1	Driveshaft	1250
	4750158	1	Driveshaft	1250R
16	4001700	1	Brake Yoke	1250R Discontinued
17	4001336	1	Transmission Yoke	S/N 001-259
	4001016	1	Transmission Yoke	S/N 260-304 Discontinued
18	5000182	1	Gasket	1974-83
19	4001810	1	Flange	1984-91
20	4001592	2	Muffler Clamp	
21	4001225	1	Muffler	
22	4001247	2	Tail Pipe Hanger	
23	3001387	1	Tail Pipe	Discontinued
24	4000725	1	Muffler Clamp	
25	2000382	1	Exhaust Pipe	1974-83
26	3001901	1	Exhaust Pipe	1984-91
27	2000428	1	L.H. Motor Mount	
	2000429	1	R.H. Motor Mount	
28	4001398	4	Rubber Mount	
29	3001703	2	Washer	
30	5000609	1	Motor Mount	S/N 001-199 Discontinued
31	3001490	1	Mount Plate	S/N 001-199 Discontinued
32	2000541	1	Engine/Pump Mount	S/N 200-3599
33	3001690	2	Washer	
34	5000445	1	Outer Pulley	
35	4001441	1	Fan Belt	S/N 001-117 Discontinued
	4001577	1	Fan Belt	S/N 188-3599
36	5000397	1	Fan	
37	*****	1	Ford 300 CID Engine	
38	4001434	1	Lower Radiator Hose	Discontinued
39	4001344	2	#32 Hose Clamp	
40	4000501	2	#28 Hose Clamp	
41	4001245	1	Upper Radiator Hose	Discontinued
42	2000538	1	Radiator Shroud	Discontinued
43	5000180	1	Radiator	
44	4001372	1	Radiator Cap	Discontinued

Figure 27
HJ1250, HJR1250 John Deere Diesel
Engine/Transmission

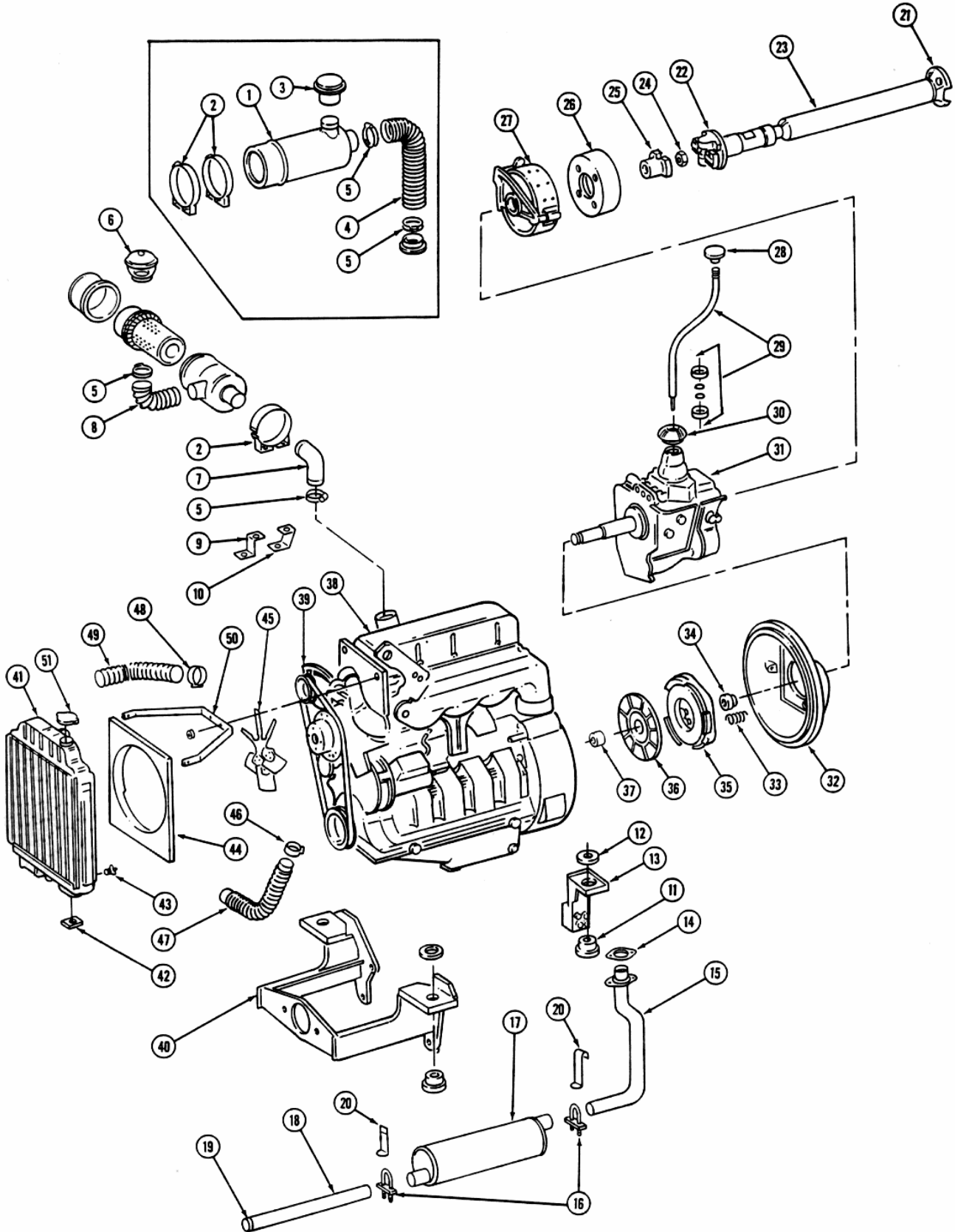


Figure 27
HJ1250, HJR1250 John Deere Diesel
Engine/Transmission

Key No.	Part No.	Qty.	Description	Comments
1	4001485	1	Air Cleaner	
	5000369	1	Air Filter	
2	4001534	1	Mounting Band	
3	*****	1	Rain Cap	Discontinued
4	4001486	1	2-1/4" Air Hose	1250
5	4000550	4	#40 Hose Clamp	
6	4001628	1	Pre-Cleaner	
7	4001611	1	Rubber Elbow	
8	4750136	1	2-1/2" Air Hose	
9	3001747	1	Bracket	
10	3001748	1	Bracket	
11	4001398	4	Rubber Mount	
12	3001690	4	Washer	
13	2000501	2	Engine Mount	
14	4001501	1	Gasket	
15	2000516	1	Exhaust Pipe	
16	4001592	2	Muffler Clamp	
17	4001225	1	Muffler	
18	3001387	1	Tailpipe	
19	4000725	1	Muffler Clamp	
20	4001247	2	Tailpipe Hanger	
21	5000187	1	U-Joint w/screws	1250R (2 Req'd.)
22	5000186	1	U-Joint w/screws	1250R None
23	4001464	1	Driveshaft	1250
	4750157	1	Driveshaft	1250R
24	5000558	1	Nut	
25	4001336	1	Transmission Yoke	
26	2000576	1	Brake Drum	1250R
27	4001654	1	Parking Brake	1250R
28	5000396	1	Gear Shift Knob	
29	4001652	1	Shifter Kit	
30	4001452	1	Dust Cover	
31	4001461	1	Transmission	
	4001528	1	Transmission Seal	
32	4001653	1	Clutch Housing	
33	4001478	1	Spring	
34	4001477	1	Clutch Release Bearing	
35	4001784	1	Pressure Plate	S/N: 3026 and lower will require both items 35 & 36
36	4001783	1	Clutch Disc	S/N: 3026 and lower will require both items 35 & 36
37	4001479	1	Pilot Bearing	
38	*****	1	4219D Deere Engine	1974-85
	*****	1	4239D Deere Engine	1986-91
	5000635	1	Fuel Filter	
	5000651	1	Oil Filter	
39	4001526	1	Fan Belt	
40	2000506	1	Engine-Pump Mount	
41	4001507	1	Radiator	
42	4001530	2	Rubber Pad	
43	4000689	1	Drain Cock	
44	4001509	1	Shroud	
45	4001508	1	Fan	
46	4001344	2	#32 Hose Clamp	
47	4001481	1	Lower Radiator Hose	
48	4000501	2	#28 Hose Clamp	
49	4001482	1	Upper Radiator Hose	
50	3001750	1	Radiator Bracket	
51	4001483	1	Radiator Cap	

Figure 28
Throttle Assembly

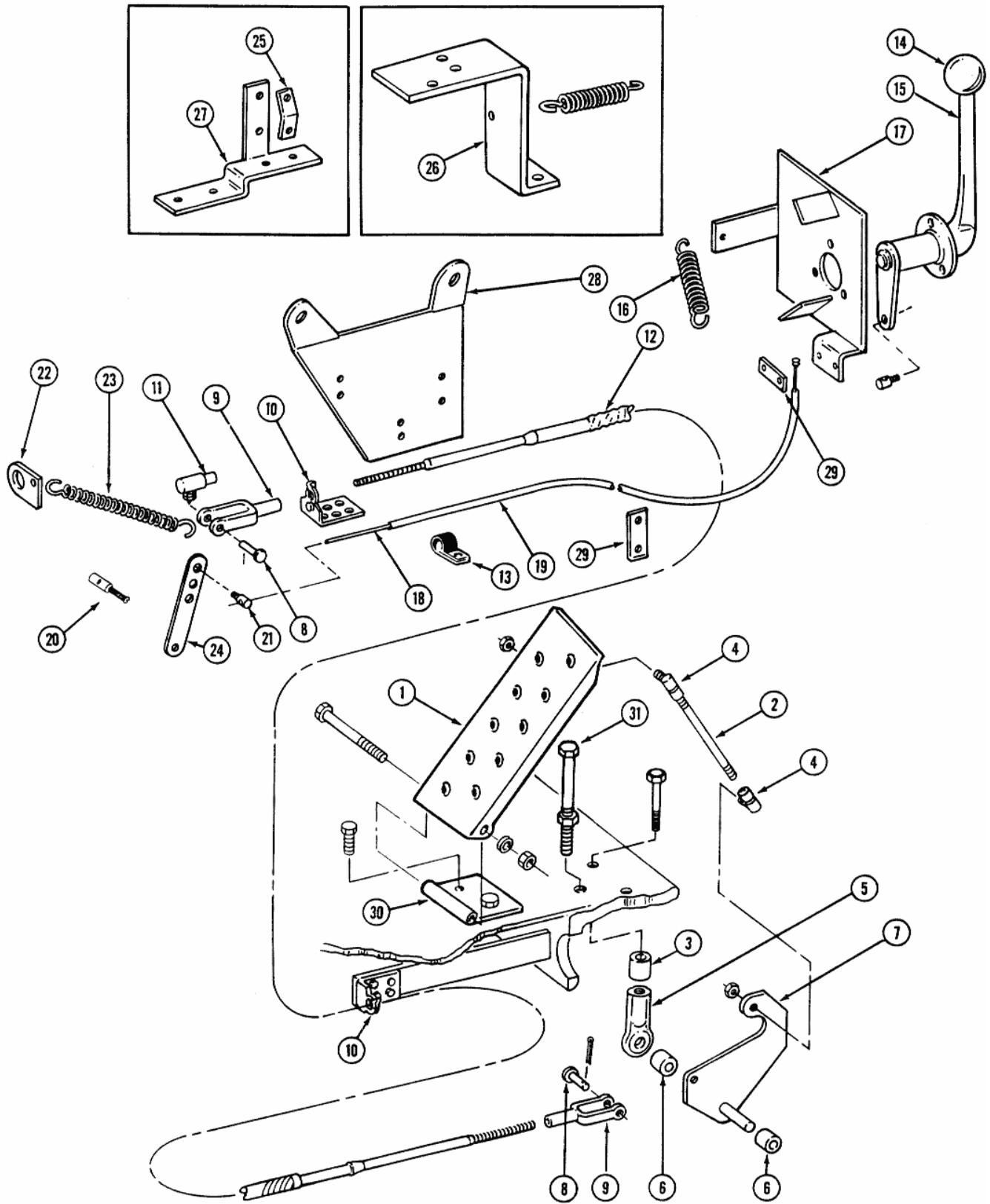
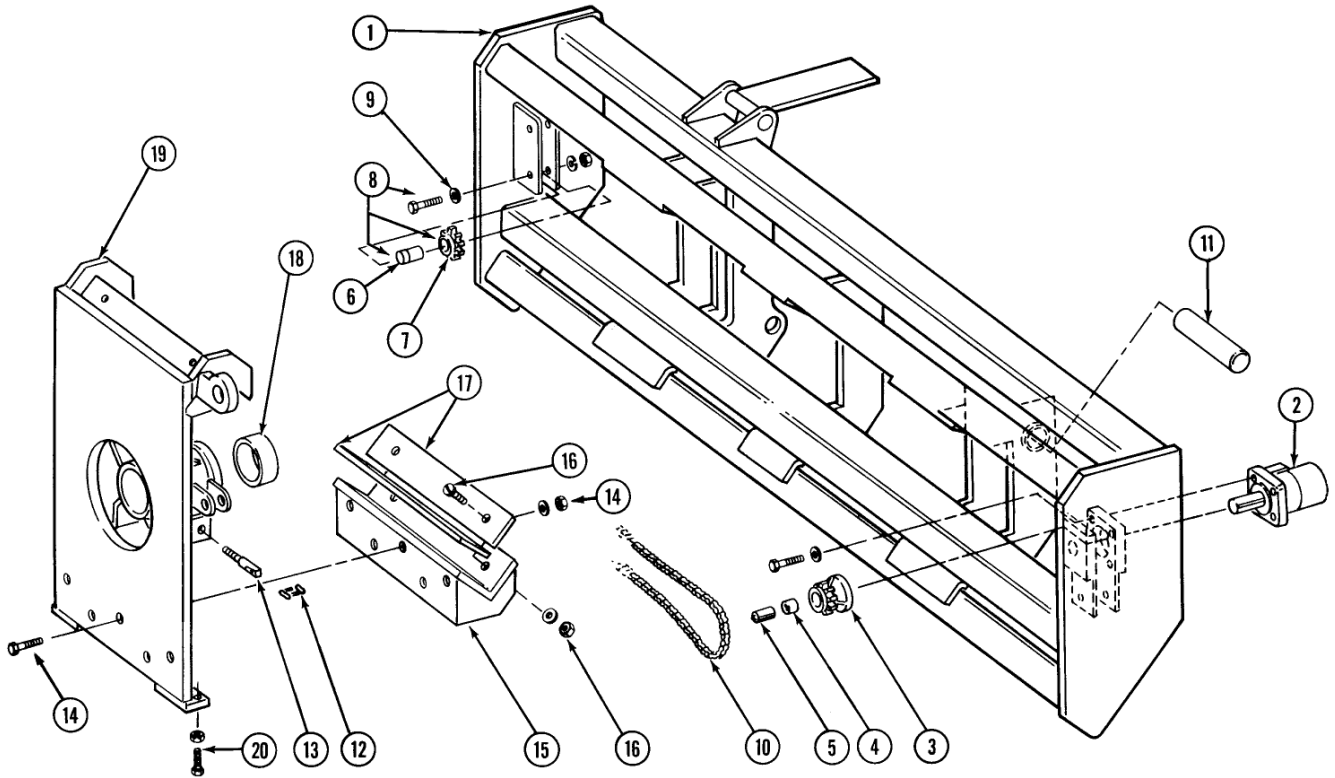


Figure 28
Throttle Assembly

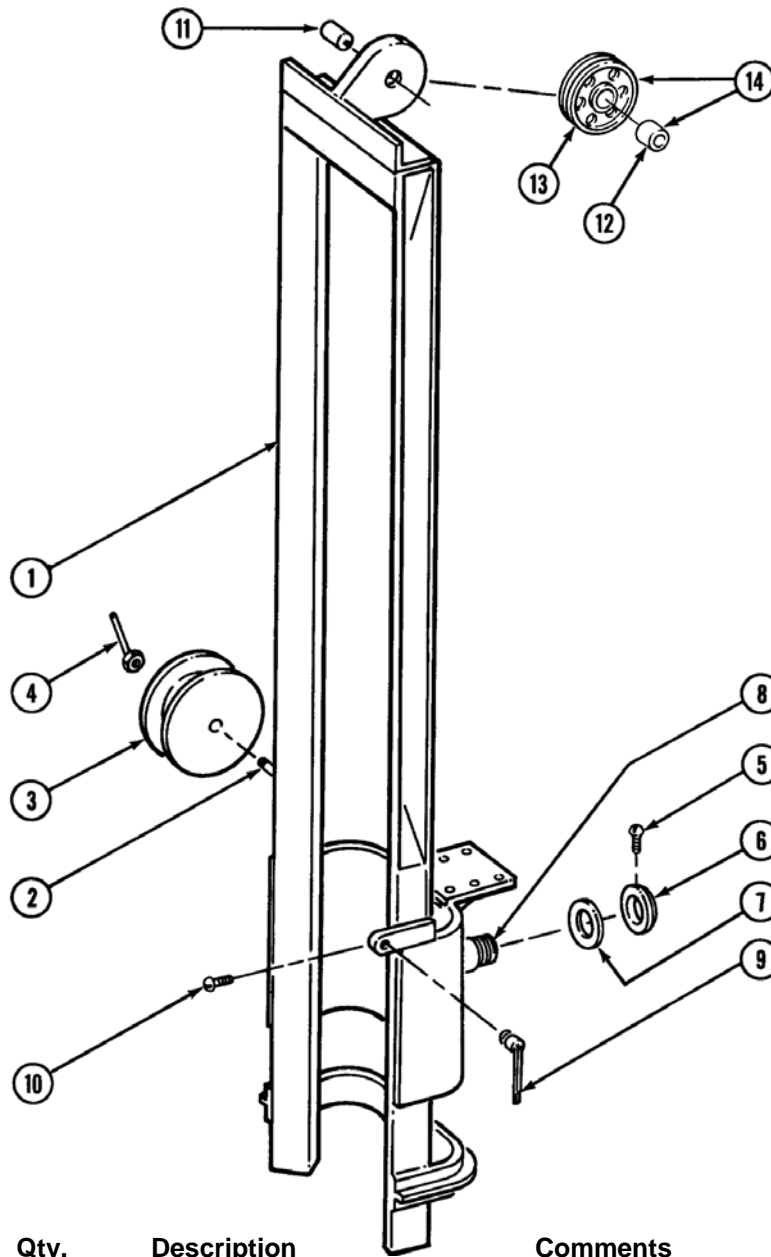
Key No.	Part No.	Qty.	Description	Comments
1	4001244	1	Accelerator Pedal	Discontinued
	2000814A	1	Accelerator Pedal	
2	4000476	1	Pedal Rod	
	3002286	1	Pedal Rod	
3	3001497	2	1/2" Spacer	
4	4000473	2	Ball Joint	
5	4001354	2	Pivot Bearing	
6	3001502	2	5/16" Spacer	
7	2000440	1	Throttle Pivot	
8	4001506	2	Clevis Pin	HJ 2 Req'd.
9	4001369	2	Clevis	HJ 2 Req'd.
10	4001239	2	Cable Clip	
11	4001227	1	Ball Joint	HD, HG
12	4001237	1	80" Cable	HG
	4001381	1	74" Cable	HD, HJ
13	4002067	1	Clamp	
14	4001762	1	Ball Knob	
15	4002063	1	Control Handle w/Knob	
16	4001287	1	Handle Spring	
17	2000395	1	Throttle Bracket	
18	4750141	1	36" Throttle Wire	HG, HJ
	4750143	1	42" Throttle Wire	HD
19	4750140	1	28" Casing	HG, HJ
	4750142	1	38" Casing	HD
20	4001240	1	Stop Collar	HD, HG
21	4001241	1	Swivel	HJ, Inj. Pump Design 1
	4001851	1	Swivel	HJ, Inj. Pump Design 2 1986-1988
22	3001641	1	Spring Anchor	HJ
23	4001224	1	Return Spring	HG
	4001497	1	Return Spring	HJ
24	3002000	1	Throttle Lever	HJ, Inj. Pump Design 2 1986-1988
25	3001505	1	Strap	HD
26	2000407	1	HG Throttle Bracket	
27	2000461	1	HD Throttle Bracket	
28	3001602	1	HJ Throttle Bracket	
29	4001246	1	Throttle Strap	
30	2000815	1	Hinge	
31	5540214	1	Stop Bolt	
	5540219	1	Stop Bolt	
	5550012	1	Nut	

Figure 29
Carriage and Sideshift



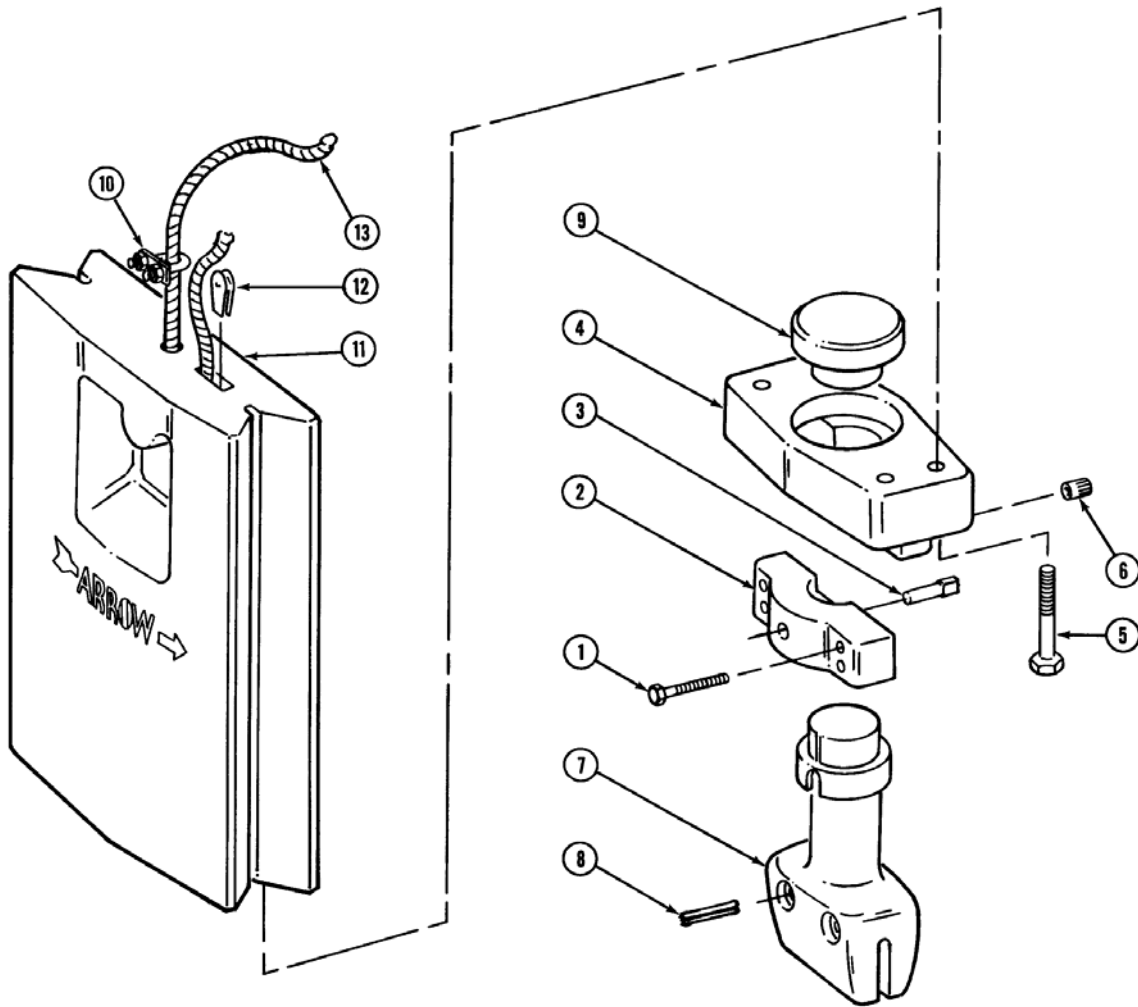
Key No.	Part No.	Qty.	Description	Comments
1	2000047	1	Slide	
2	4000965	1	Hydraulic Motor	1974-88, Discontinued
	5000446	1	Seal Kit for 4000965	
	4001915	1	MG Hydraulic Motor	1988-91
	5000642	1	Seal Kit for 4001915	
	5000595	1	Key	
3	3001226A	1	Sprocket w/Set Screw	
4	4001575	1	Bearing	
5	3000708A	1	Bearing Pin w/Zerk	
6	4000591	5	Bearing Only	
7	4750096	5	Sprocket Only	
8	5000652	5	Idler Sprocket Assembly	
9	3002002	10	Thrust Washer	
10	4000592	1	Roller Chain	
11	3000709	2	Hinge Pin	
12	4000593	2	Connecting Link	
13	3001465	2	Adjusting Screw	
14	5000612	5	Bolt Assembly	
15	2000327	1	Bottom Guide	
16	5000613	8	Screw Assembly	
17	3000282	4	Bearing Block	
	2000070	1	Bearing Block Set	Includes 16 & 17
18	3001104	2	Bearing	
19	2000324	1	Carriage	
20	5000640	2	Adjusting Screw w/Nut	

Figure 30
Lead



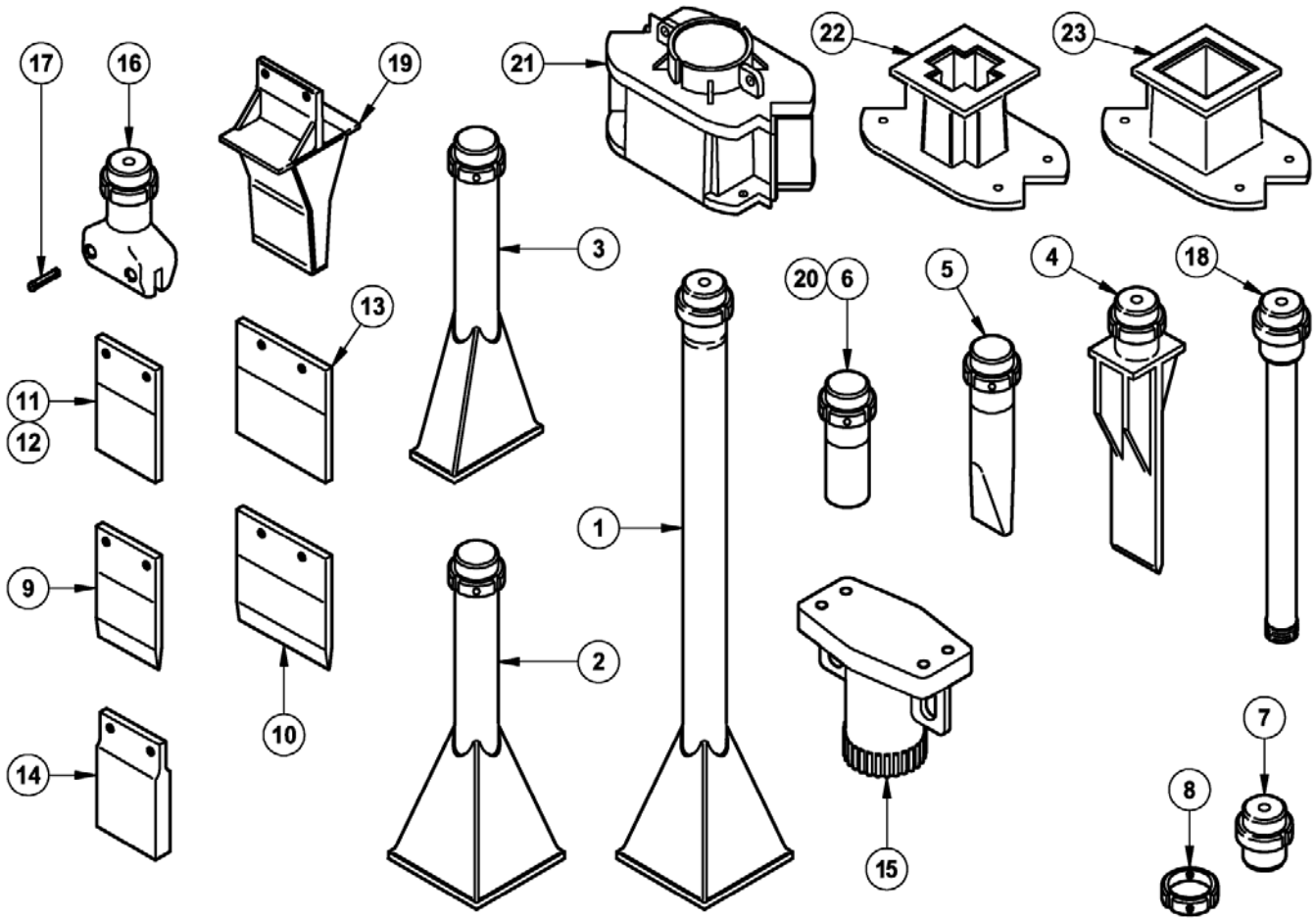
Key No.	Part No.	Qty.	Description	Comments
1	2000315	1	Lead	
2	3001477	1	Spool Shaft	
3	2000535	1	Spool Only	
	2000616	1	Spool w/Cable	
4	2000448	1	Spinner	
5	5000631	1	Bolt w/Lock Washer	
6	3001040A	1	Center-Pin Nut w/Bolt	
7	3001043	1	Thrust Washer	
8	2000553	1	Pin & Plate	
9	2000316	1	Lock Pin	
10	4750155	1	Lock Pin Screw	
11	3000285A	1	Sheave Pin w/Zerk	
12	4001157	1	Sheave Bearing	
13	3001042	1	Lead Sheave	
14	2000317	1	Sheave & Bearing	

**Figure 31
Hammer Weight**



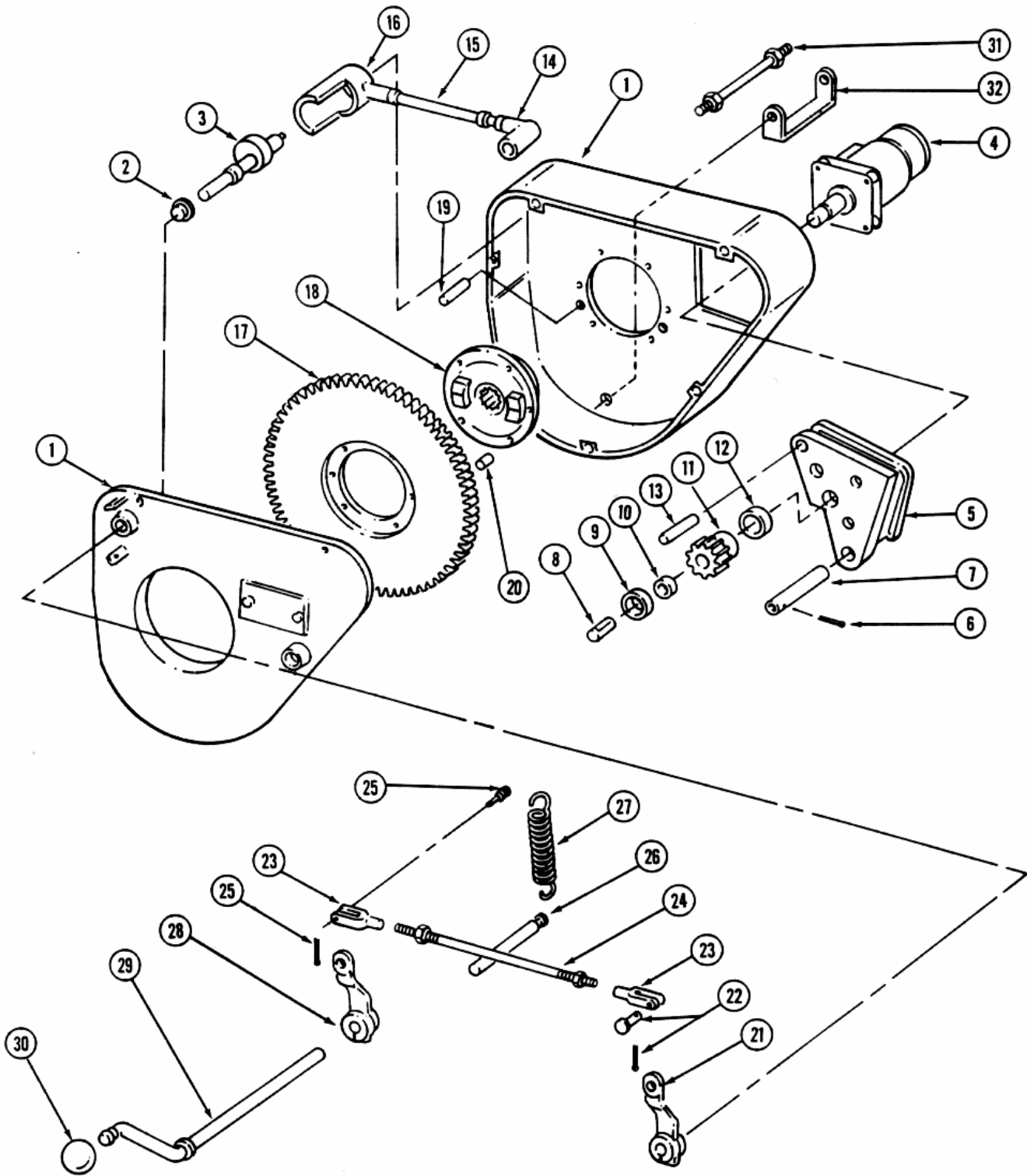
Key No.	Part No.	Qty.	Description	Comments
1	5000607	4	7/8" Bolt & Lock Washer	
2	3001234A	1	Hammer Clamp w/Dowel	
3	3001232	1	Dowel Pin	
4	3001233A	1	Hammer Head w/Nuts	
5	5000611	4	1 x 5" Bolt & Lock Washer	
	5000620	4	1 x 7-1/2" Bolt & Lock Washer	Units with Item 10
6	3001821	4	Hammer Head Nut	
7	3001247	1	Toolholder	
8	4001390	2	Flex Pin	
9	3001231	1	Anvil	
10	3001905	1	Weight	Optional
11	3000771	1	Hammer Weight	
	5750002	1	Weight Shim Kit (Not Shown)	
12	3001248	2	Cable Wedge	
13	4001024	1	3/8 x 51' Cable	Fiber Center
	2000616	1	3/8 x 250' Cable on Spool	Optional
14	4001473	1	Cable Clamp	
15	2000799		Flex Pin/Cable Wedge Tool (not shown)	

Figure 32
Hammer Tools



Key No.	Part No.	Qty.	Description	Comments
1	2000336		Tamper	12" x 12" x 72"
2	2000468		Tamper	12" x 12" x 36"
3	2000690		Tamper	6" x 12" x 36"
4	2000459		Frost Chisel	6" x 31"
5	2000355		Concrete Wedge	4-1/2" x 20"
6	2000354		Concrete Breaker	4-1/2" x 20"
7	3001101		Tool Head	
8	3001251		2 Slot Collar	
9	3001238		Tapered Scoring Tool	8" x 11" x 7/8"
10	3001236		Tapered Cutter	12" x 11" x 7/8"
11	3001239		Blunt Scoring Tool	8" x 11" x 7/8"
12	3001520		Blunt Scoring Tool	8" x 16" x 7/8"
13	3001237		Blunt Cutter	12" x 11" x 7/8"
14	3001235		Heavy Duty Breaker	8" x 11" x 2"
15	3001915		Crack and Seat Breaker	Discontinued
16	3001247		Tool Holder	
17	4001390		Flex Pins	
18	2000791		Post Hole Punch	3" x 32"
19	2000792		Trenching Tool	8" x 14"
20	99C2048A		Post Driving Head	4-1/2" x 13"
21	99E2987B		Post Driving Holder	
22	99E3438		Post Driving 6 X 3 Insert	
23	*****		Post Driving 6 X 6 Insert	
24	2000830		Breaker Head	8" x 14-1/2"

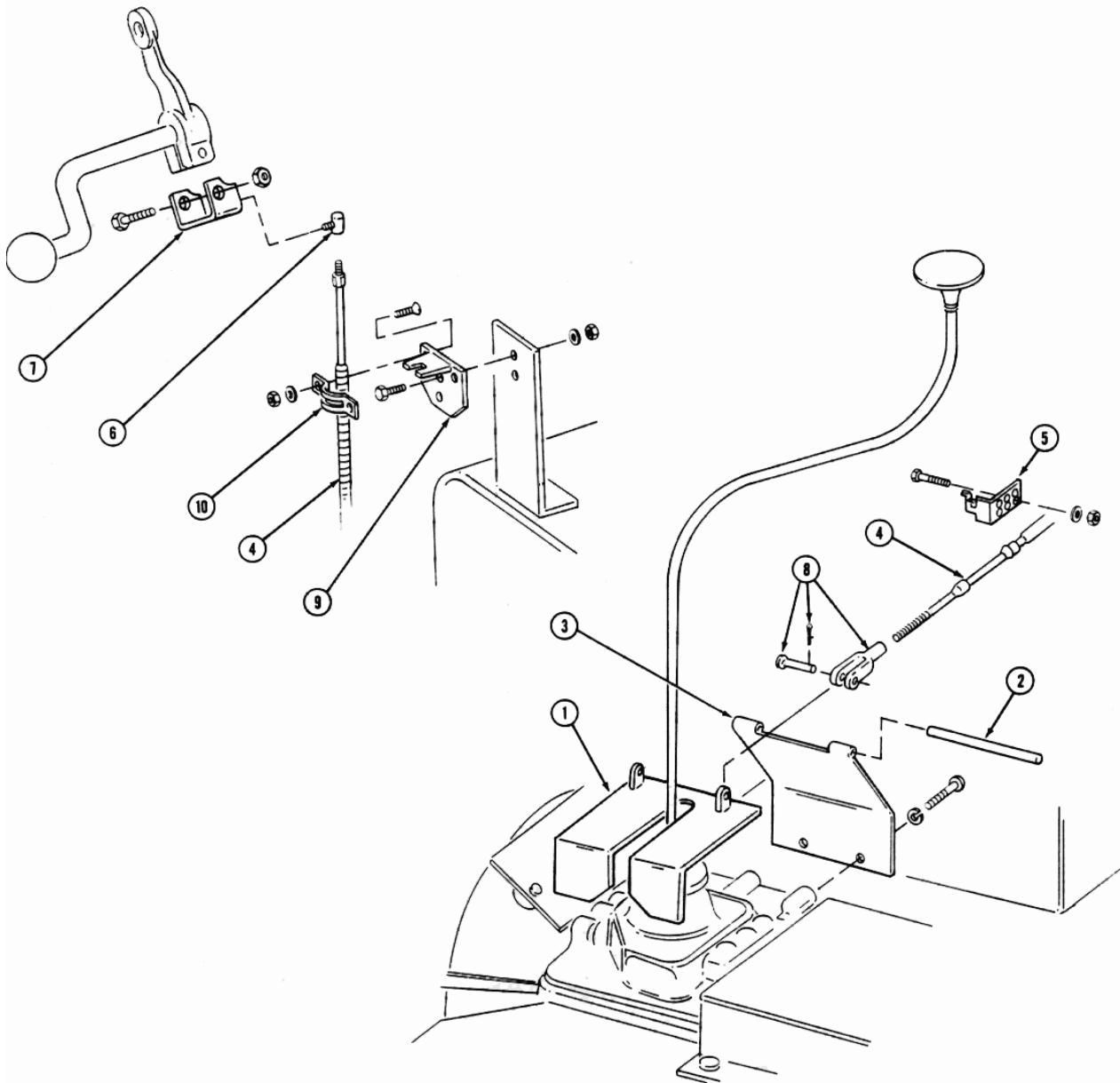
Figure 33
Creeper Gear



**Figure 33
Creeper Gear**

Key No.	Part No.	Qty.	Description	Comments
1	2000610	1	Gear Case w/Cover	1250
	2000611	1	Gear Case w/Cover	1250R
2	4000777	2	Nylon Bushing	
3	2000344	1	Shift Cam	
	4000354	1	Grease Fitting	
4	4000965	1	Hydraulic Motor	1974-88, Discontinued
	5000446	1	Seal Kit for 4000965	
	4001915	1	MG. Hydraulic Motor	1250, 1250R 1988-91
	5000642	1	Seal Kit for 4001915	
5	2000343	1	Pinion Bracket	
6	5556690	1	1/4 x 2" Cotter Pin	
7	3001202	1	Hinge Pin	
8	3000708A	1	Bearing Pin w/Zerk	
9	3001200	1	1/4" Spacer	
10	4001575	1	Bearing	
11	4750132	1	Spur Gear w/o Bearing	
12	3001050	1	7/16" Spacer	
13	3001201	1	Shift Pin	
14	2000346	1	Shift Link	
15	2000347	1	Adjusting Rod	
16	2000345	1	Cam Retainer	
17	3001198	1	Bull Gear	
18	4750131	1	Flange Yoke	1250
	4750160	1	Flange Yoke	1250R Discontinued
19	4001902	2	1/2" x 1-1/4" Dowel Pin	1250
20	4001893	2	3/8" x 3/4" Dowel Pin	
21	3001208	1	Offset Lever	1250
	3001778	1	Straight Lever	1250R Discontinued
	4001166	1	#11 Woodruff Key	
22	4001168	1	Clevis Pin	
	5556536	1	3/32 x 1" Cotter Pin	
23	4000012	2	Clevis	
24	3001209	1	12-7/8" Shift Rod	1250
	3001784	1	14-1/2" Shift Rod	1250R Discontinued
25	3001210	1	Spring Pin	
	5556536	1	3/32 x 1" Cotter Pin	
26	3001172	1	Spring Anchor Pin	Discontinued
27	4001280	1	Spring	
28	3001208	1	Offset Lever	
	4001166	1	#11 Woodruff Key	
29	2000320	1	Shift Lever	
30	4001169	1	Ball Knob	
31	3001205	1	Stud	1250, 1974-77
32	3001683	1	Tie Strap	1250, 1977-82 Discontinued

Figure 34
Creper Interlock (1974-91)



Key No.	Part No.	Qty.	Description	Comments
1	2000469	1	Hasp	Discontinued
2	3001525	1	Hinge pin	
3	2000470	1	Mount	Discontinued
4	4001237	1	3/16" Cable	Used on Models Prior to 1978
	4001557	1	1/4" Cable	
5	4001239	2	3/16" Cable Clip	Used on Models Prior to 1978
6	4001227	1	3/16" Ball Joint	Used on Models Prior to 1978
	4000473	1	1/4" Ball Joint	
7	3001526	1	Lever Extension	
8	4001369	1	3/16" Clevis	Used on Models Prior to 1978
	4000465	1	1/4" Clevis	
	4001506	1	Clevis Pin	
9	4001560	2	1/4" Cable Clip	
10	4001735	2	1/4" Clamp	

This Page Left Intentionally Blank

Figure 35
Cover Plates

Key No.	Part No.	Qty.	Description	Comments
1	2000396	1	Back Grill	
2	4002177	2	Red Reflector	
3	2000387	1	R.H. Panel	
	2000388	1	L.H. Panel	
4	2000439	1	HD Hood	Discontinued
	2000389	1	HG Hood	Discontinued
	2000508	1	HJ Hood	
5	2000445	1	Lead Rest	
6	2000482	1	R.H. Side Panel	
	3001660	2	L.H. Hinge	
	2000481	1	L.H. Side Panel	
	3001661	2	R.H. Hinge	
7	4001233	5	Flexible Latch	
8	4001255	2	Handle	
9	3001466	1	HD Firewall	Discontinued
	3001640	1	HJ Firewall	
	3001740	2	Mounting Angle	
10	2000392	1	Seat Base	
	2000393	1	Seat Top	
	4001260	1	Seat Latch	
	4001737	1	Catch	
	4002140	1	Tube, Operator's Manual	
	4002141	2	Cap	
	4002142	2	Cushion Clamp	
11	4001934	1	Seat	
	4001713		Seat Belt Assy	
	5000660	1	Seat Kit & Seat (for Models prior to 1990)	
	3001919	1	Seat Adapter Plate	
12	3001486	1	HD Floor Plate	Discontinued
	3001766	1	HG Floor Plate	Discontinued
	3001765	1	HJ Floor Plate	Discontinued
13	2000577A	1	Top Front Cowl w/Decals	
14	3000869	1	R.H. Cowl	
	3000870	1	L.H. Cowl	
15	4002176	2	Amber Reflector	
16	2000578	1	Center Cowl	
17	3000948	1	Bottom Cowl	
18	3001403	2	Front Fender	Optional, Discontinued
	3001404	2	Fender Bracket	Optional
19	3001578	2	Mud Flap	Optional
	3001575	2	Mounting Angle	Optional
	3001577	2	Strap	Optional
20	3001402	2	Rear Fender	Optional
	3001405	2	Fender Bracket	Optional
21	3002143	1	Floor Plate, L.H.	
22	3002144	1	Floor Plate, R.H.	

Figure 36
Hydraulic System

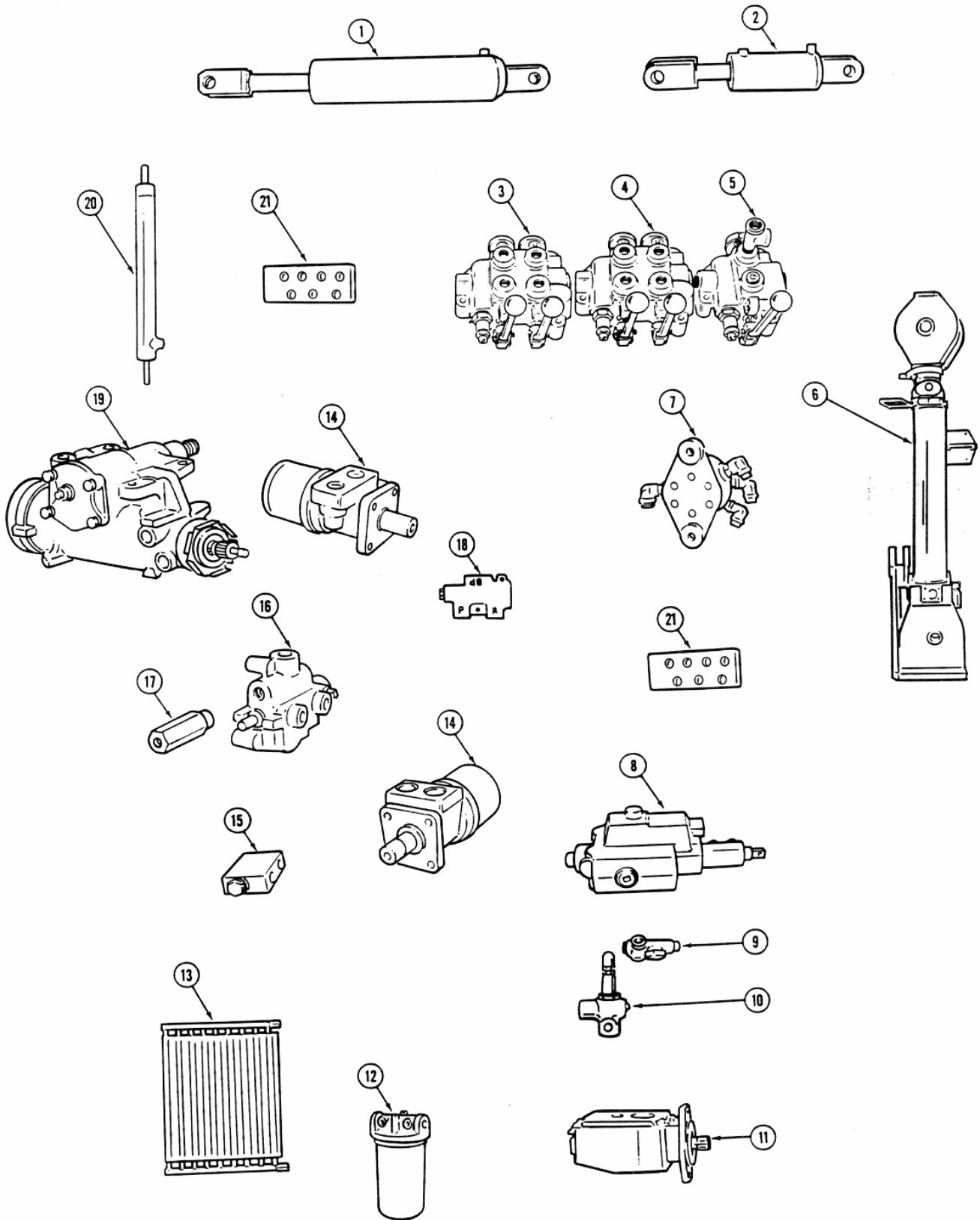


Figure 36
Hydraulic System

Key No.	Part No.	Qty.	Description	Comments
1	4001659	1	Layback Cylinder	Discontinued
2	4001658	1	Tilt Cylinder	Discontinued
3	4001968	1	2-Spool Valve	
	4001970	1	1-Spool Valve	Electronic control option
4	4001968	1	2-Spool Valve	
	4001971	1	3-Spool Valve	Cable adjust option
5	4001967	1	Automatic Valve	
	4750163	1	Automatic Valve	Discontinued
6	1000076	1	Automatic Cylinder	
	1000105	1	Lift Cylinder	Electronic control option
7	2000360	1	Pilot Valve	
8	2000383	1	Hammer Valve	
9	4001607	1	Relief Valve	
10	4001285	1	Relief Valve	HD, HG, 1250001-199
	4001969	1	Relief Valve	HJ, HG 12500200 and up
11	4001460	1	Double Pump	HJ, HG 12500200 and up
	4001651	1	28 GPM Single Pump	HD, HG 1250001-199
	4001283	1	8 GPM Single Pump	HD, HG 1250001-199
12	4001261	1	Hydraulic Filter	
	5000206	1	Replacement Filter	
13	4001181	1	Hydraulic Oil Cooler	
14	4000965		Hydraulic Motor	1974-88, Discontinued
	4001915	2	Hydraulic Motor	1988-91
15	4001286	1	Relief Valve	
16	4001209	1	Creeper Valve	
17	5000203	1	Bypass Valve	
18	4001356	1	Flow Divider	
19	4001819	1	Power Steering Gear	
20	4001516	1	Remote Stroke Adjust Cylinder	
21	3000923	1	Manifold	

Figure 37
Hydraulic Hoses

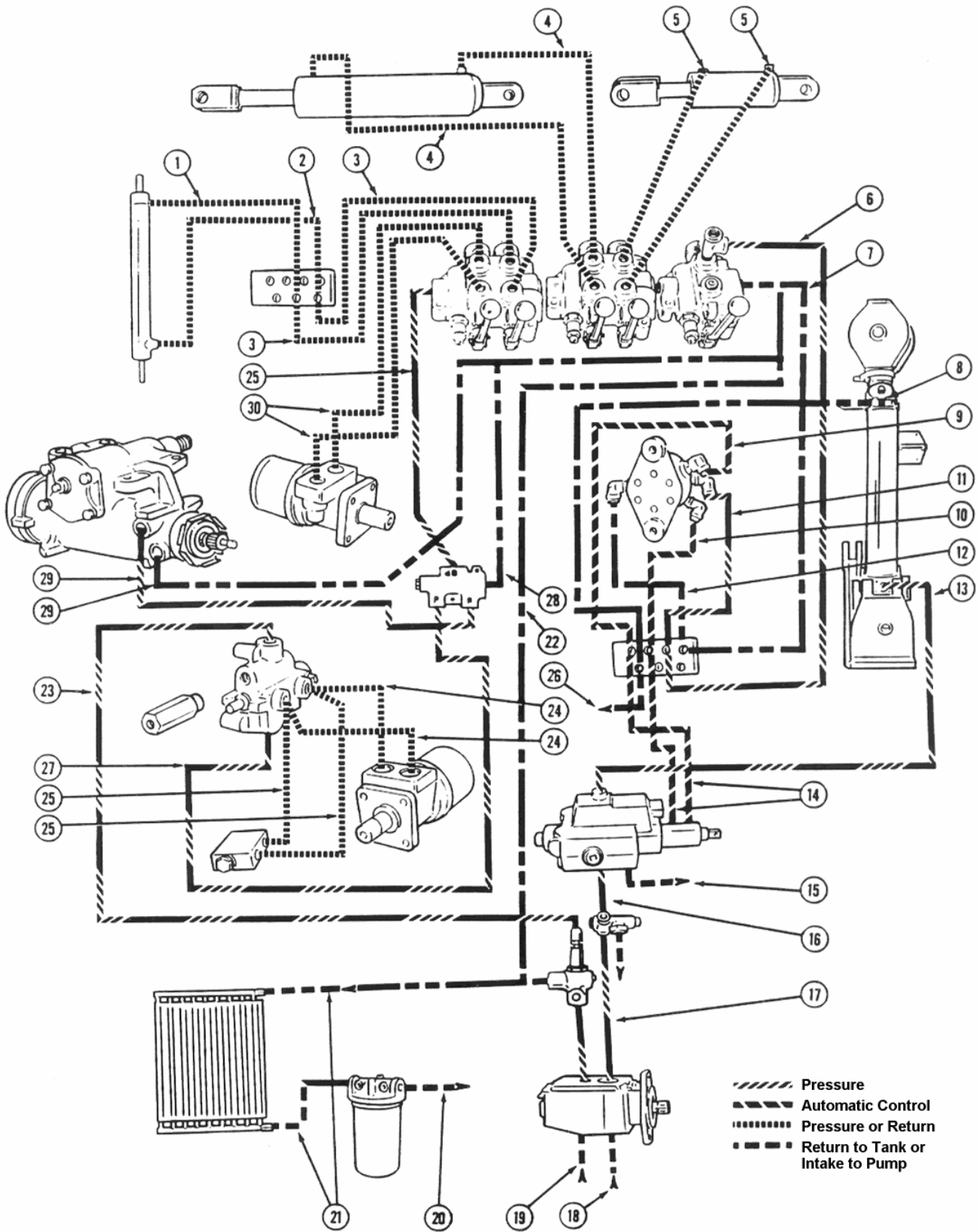


Figure 37
Hydraulic Hoses

Key No.	Part No.	Qty.	Description	Comments
1	4001311	1	1/4" x 64" Hose	
2	4001310	1	1/4" x 50" Hose	
3	4001305	2	3/8" x 136" Hose	
4	4001306	2	3/8" x 40" Hose	
5	4001307	2	3/8" x 130" Hose	
6	4001308	1	3/8" x 118" Hose	
7	4001312	1	3/8" x 120" Hose	
8	3001324A	1	Tube w/Nuts and Seals	
9	3001298A	1	Tube w/Nuts and Seals	
10	3001299A	1	Tube w/Nuts and Seals	
11	3001296A	1	Tube w/Nuts and Seals	
12	3001297A	1	Tube w/Nuts and Seals	
13	4000978A	1	Hose w/O-Rings	
	4001062	2	O-Ring	
14	4001309	2	3/8" x 112" Hose	
15	4001318	1	2" x 38" Hose	
16	4001605	1	1" x 46" Hose	
17	4001606	1	1" x 72" Hose	
18	4001319	1	2" x 46" Hose	
19	4001503	1	1-1/4" x 46" Hose	
20	4001451	1	3/4" x 24" Hose	
21	4001410	2	3/4" x 21" Hose	
22	4001320	1	3/4" x 140" Hose	
23	4001302	1	1/2" x 124" Hose	
24	4001174	2	1/2" x 46" Hose	
25	4001300	3	1/2" x 22" Hose	
26	4001313	1	3/8" x 170" Hose	
27	4001303	1	1/2" x 17" Hose	
28	4001421	2	3/8" x 30" Hose	
29	4001423	1	3/8" x 24" Hose	
30	4001304	2	1/2" x 63" Hose	

Figure 38
Automatic Cylinder

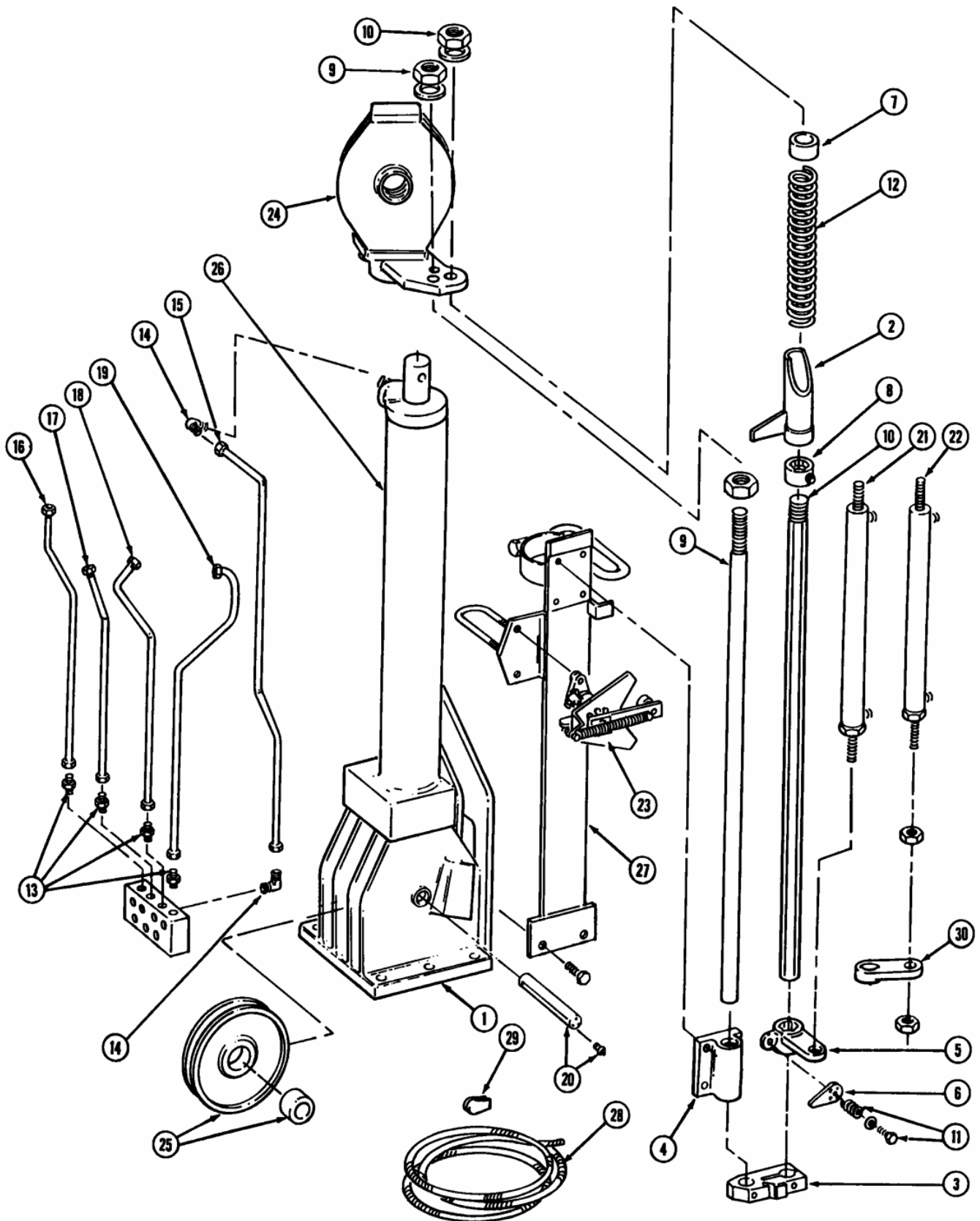
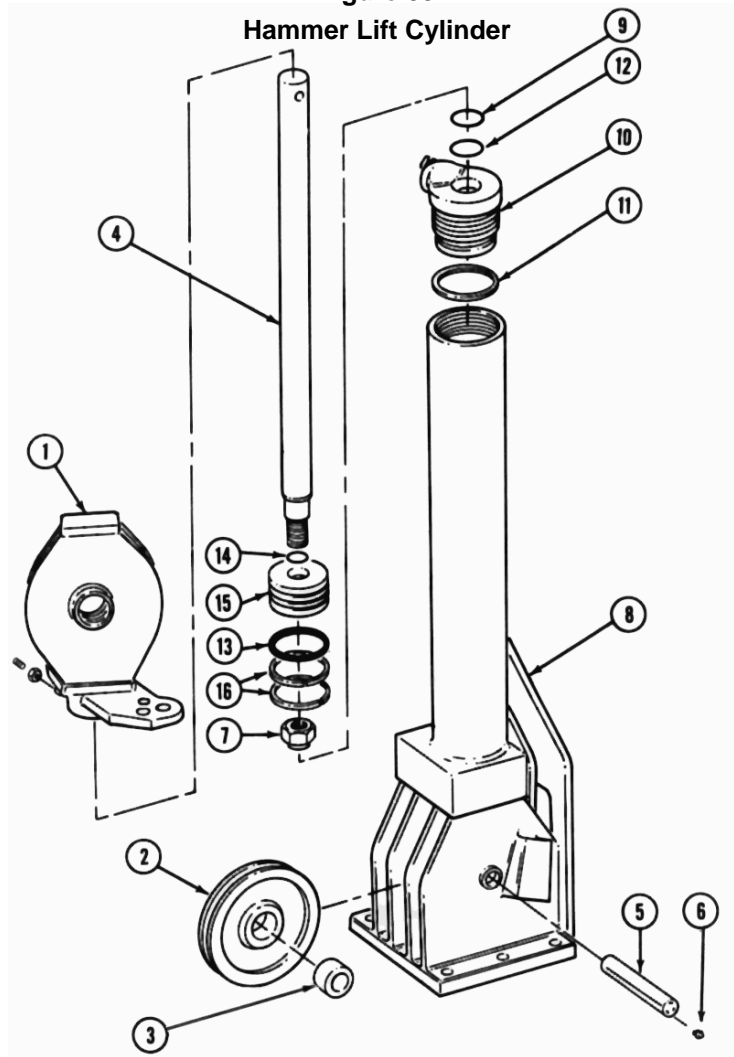


Figure 38
Automatic Cylinder

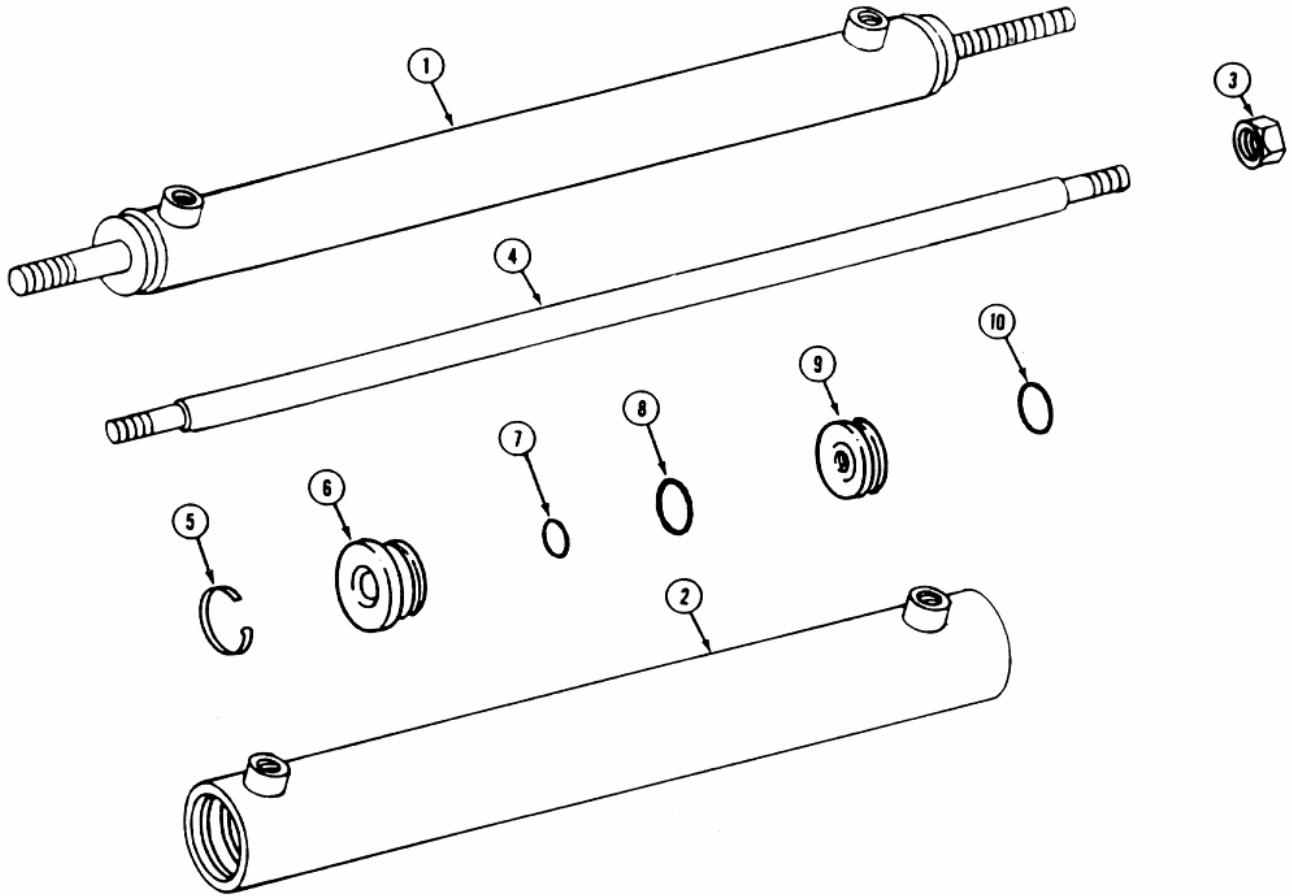
Key No.	Part No.	Qty.	Description	Comments
1	1000076	1	Automatic Cylinder	Not used on units with electronic stroke control, Items 2-21, 23-27
	1000105	1	Lift Cylinder, Elect. Control Opt.	Items 4, 9, 14, 15, 20 & 24-27
	1000119	1	Auto Cylinder w/Cable adj. Opt.	Items 2-7, 9-27, 30
2	2000364	1	Upper Trip Finger	Not used on units with electronic stroke control option
3	2000290A	1	Guide Rod Spacer w/Hardware	Not used on units with electronic stroke control option
4	3001291A	1	Guide Rod Bearing w/Grease Fit	
	5527162	4	5/16-24 Socket Head Bolt	
5	2000366A	1	Trip Finger Collar w/Detent Balls	Not used on units with electronic stroke control option
	4000490	2	Detent Ball	Not used on units with electronic stroke control option
6	3001288	1	Lower Trip Finger	Not used on units with electronic stroke control option
7	3001313	1	Hex Rod Spacer	Not used on units with electronic stroke control option
8	2000365	1	Hex Collar w/Hardware	Not used on units with electronic stroke control option
9	3001290	1	Round Guide Rod	
	5550025	2	1" - 14 Hex Nut	
	5555212	1	1" Lock Washer	
10	3001292	1	Hex Guide Rod	Not used on units with electronic stroke control option
	5550021	1	3/4" - 16 Hex Nut	Not used on units with electronic stroke control option
	5555211	1	3/4" Lock Washer	Not used on units with electronic stroke control option
11	4001196	1	Spring	Not used on units with electronic stroke control option
	3000401	1	Spring Washer	Not used on units with electronic stroke control option
	5540210	1	3/8" - 16 x 2-1/4" Bolt	Not used on units with electronic stroke control option
	5550612	1	3/8" - 16 Jam Nut	Not used on units with electronic stroke control option
12	4001202	1	Spring	Not used on units with electronic stroke control option
13	4000734	4	Tube Fitting	Not used on units with electronic stroke control option
	5000547	1	Seal Only	Not used on units with electronic stroke control option
	5000548	1	Nut Only	Not used on units with electronic stroke control option
14	4000733	2	Elbow	
	5000547	1	Seal Only	
	5000548	1	Nut Only	
15	3001324A	1	Tube w/Nuts and Seals	
16	3001298A	1	Tube w/Nuts and Seals	Not used on units with electronic stroke control option
17	3001299A	1	Tube w/Nuts and Seals	Not used on units with electronic stroke control option
18	3001296A	1	Tube w/Nuts and Seals	Not used on units with electronic stroke control option
19	3001297A	1	Tube w/Nuts and Seals	Not used on units with electronic stroke control option
20	3000474A	2	Sheave Pin w/Grease Fittings	
	4000354	6	Grease Fitting	
21	4001516	1	Remote Stroke Adjust Cylinder	Not used on units with electronic stroke control option
22	4001573	1	Cable Adjust Cylinder	Not used on units with electronic stroke control option Cable adjust option only
23	2000360	1	Pilot Valve	Not used on units with electronic stroke control option
24	2000359	1	Upper Sheave Housing	
25	2000100	6	Lift Cylinder Sheave w/Bearing	
	3001329	6	Sheave Only	
	4000256	6	Bearing Only	
26	2000358	1	Lift Cylinder	Not used on units with electronic stroke control option
	2000643	1	Lift Cylinder	Electronic control option
27	2000363	1	Attachment Bracket	
28	4001024	1	3/8" x 51" Cable	Fiber center
	2000616	1	3/8" x 250' Cable on Spool	
29	3001248	1	Cable Wedge	
30	2000243	1	Cable Adjust Finger	Not used on units with electronic stroke control option Cable adjust option only

Figure 39



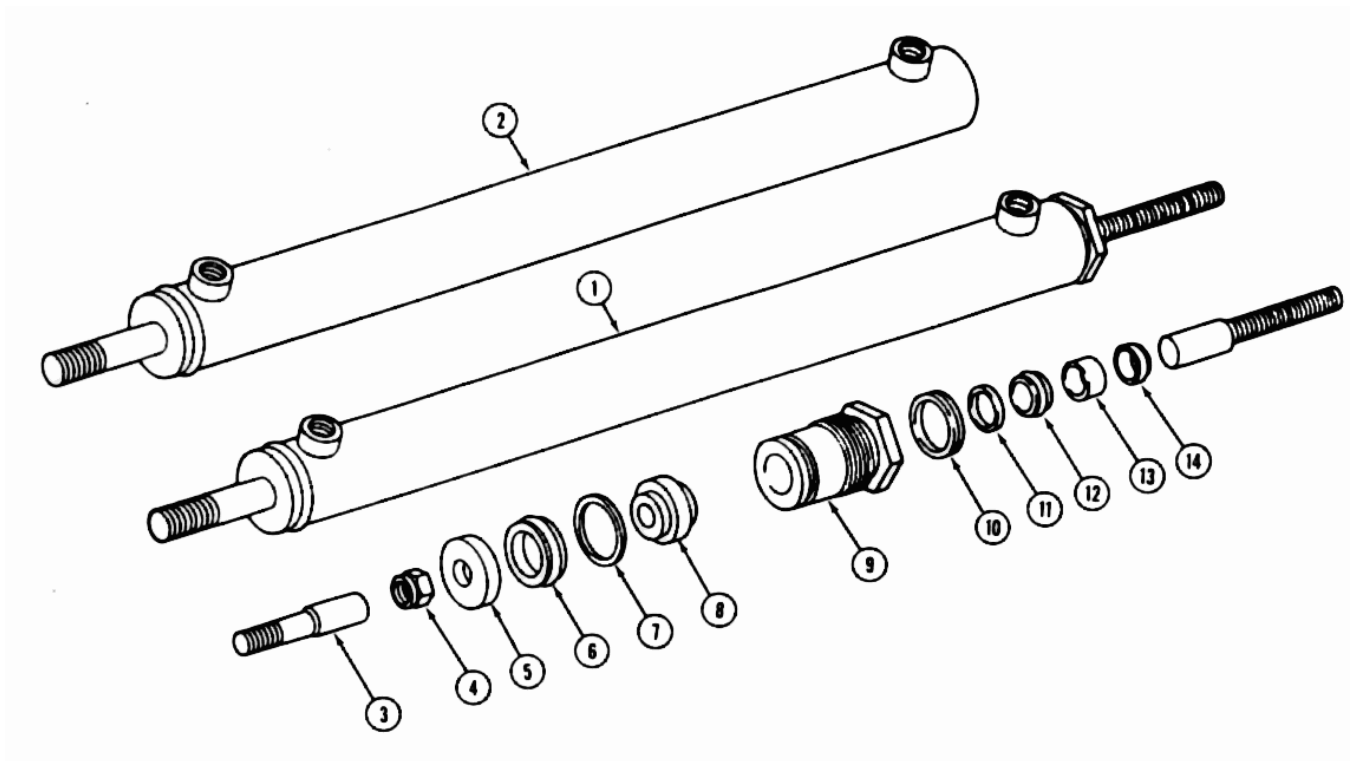
Key No.	Part No.	Qty.	Description	Comments
1	2000359	1	Upper Sheave Housing	
	5530894N	1	Set Screw	
	5550616		Jam Nut	
2	3001329	6	Sheave Only	
3	4000256	6	Bearing Only	
	2000100	1	Sheave w/Bearing	
4	3001321	1	Piston Rod	
5	3000474A	2	Sheave Pin w/Grease Fitting	
6	4000354	6	Grease Fitting	
7	4001207	1	Piston Nut	
8	2000358	1	Lift Cylinder and Base	Items 4, 7, 8, 10, 15
	2000643	1	Lift Cylinder and Base	Electronic Control Option
	5000665	1	Seal Kit	Items 9, 11-14, 16
9	4000807	1	Wiper	
10	3001325	1	Cylinder Nut	
11	4001092	1	O-Ring	
12	4001927	1	Seal	
13	4001092	1	O-Ring	1974-90
	4002005	1	Seal	1991-...
14	4001059	1	O-Ring	
15	3001322	1	Piston	
16	4000806	2	Piston Ring	

Figure 40
Remote Stroke Adjustment Cylinder (1974-75)



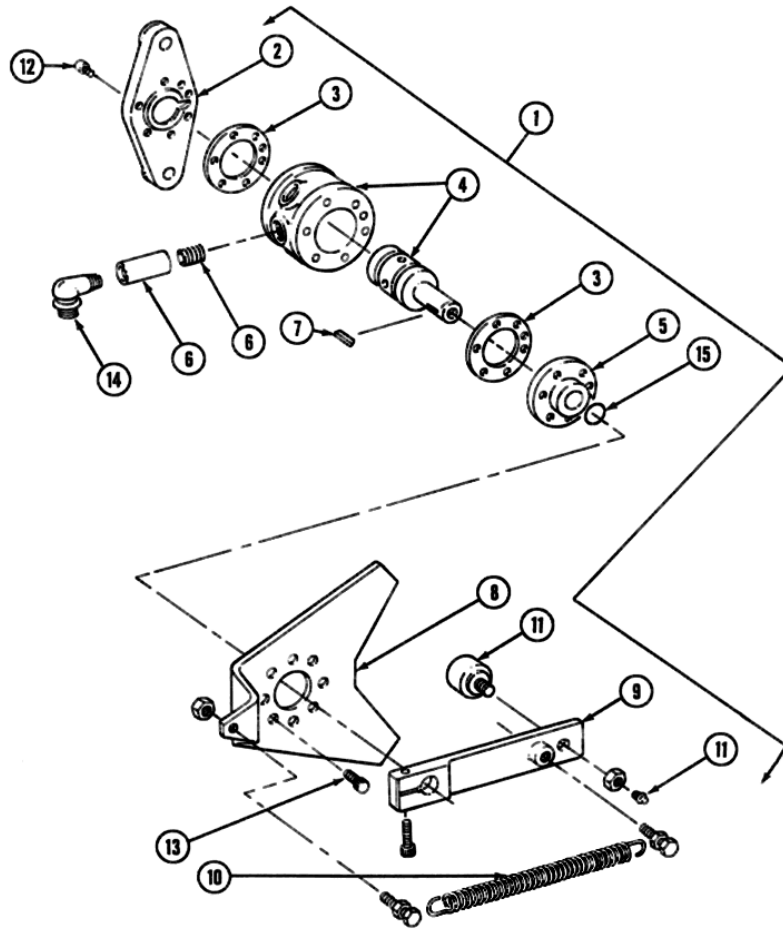
Key No.	Part No.	Qty.	Description	Comments
1	*****	1	Stroke Cylinder	Replaced by 4001516
2	*****	1	Cylinder Tube	
3	5550615	1	7/16" - 20 Lock Nut	
4	3000459	1	Piston Rod	Discontinued
5	4000450	1	Retaining Ring	
6	3000458	1	Cylinder Head	
7	4001042	1	O-Ring	
8	4001056	1	O-Ring	
9	*****	1	Piston	
10	4001054	1	O-Ring	

Figure 41
Remote Stroke Adjustment Cylinder (1975-91)



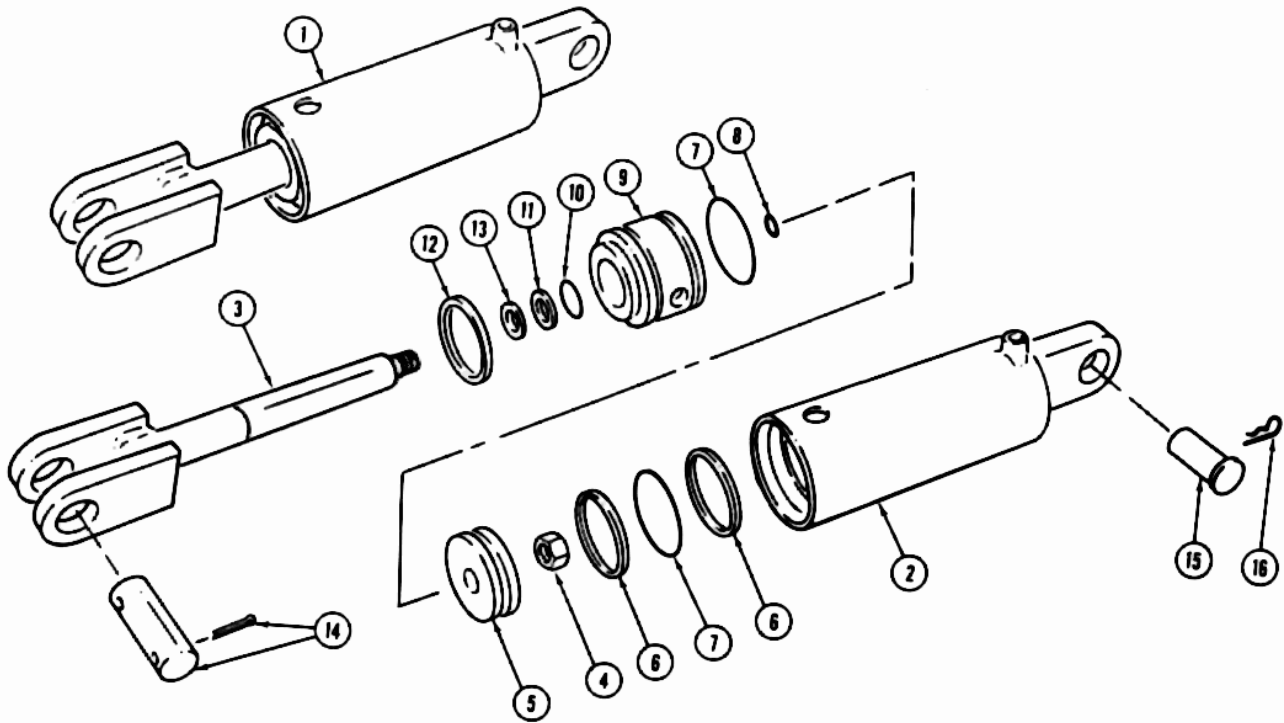
Key No.	Part No.	Qty.	Description	Comments
1	4001516	1	Stroke Cylinder	Units with optional remote cable adjustment cylinder, P/N: 4001573
	5000414	1	Seal Kit	Items 6, 7, 10-14
2	5000410	1	Cylinder Tube, 15-1/2"	Units with optional remote cable adjustment cylinder, P/N: 5000557, 13-1/2"
3	5000412	1	Piston Rod	Units with optional remote cable adjustment cylinder, P/N: 5000450
4	5000415	1	Piston Rod Nut	
5	5000416	1	Outer Piston	
6	*****	1	Seal	
7	*****	1	Pipe Ring	
8	5000417	1	Inner Piston	
9	5000413	1	Piston Rod Guide	
10	*****	1	Seal	
11	*****	1	Snap Ring	
12	*****	1	Seal	
13	*****	1	Wear Ring	
14	*****	1	Wiper	

Figure 42
Pilot Valve



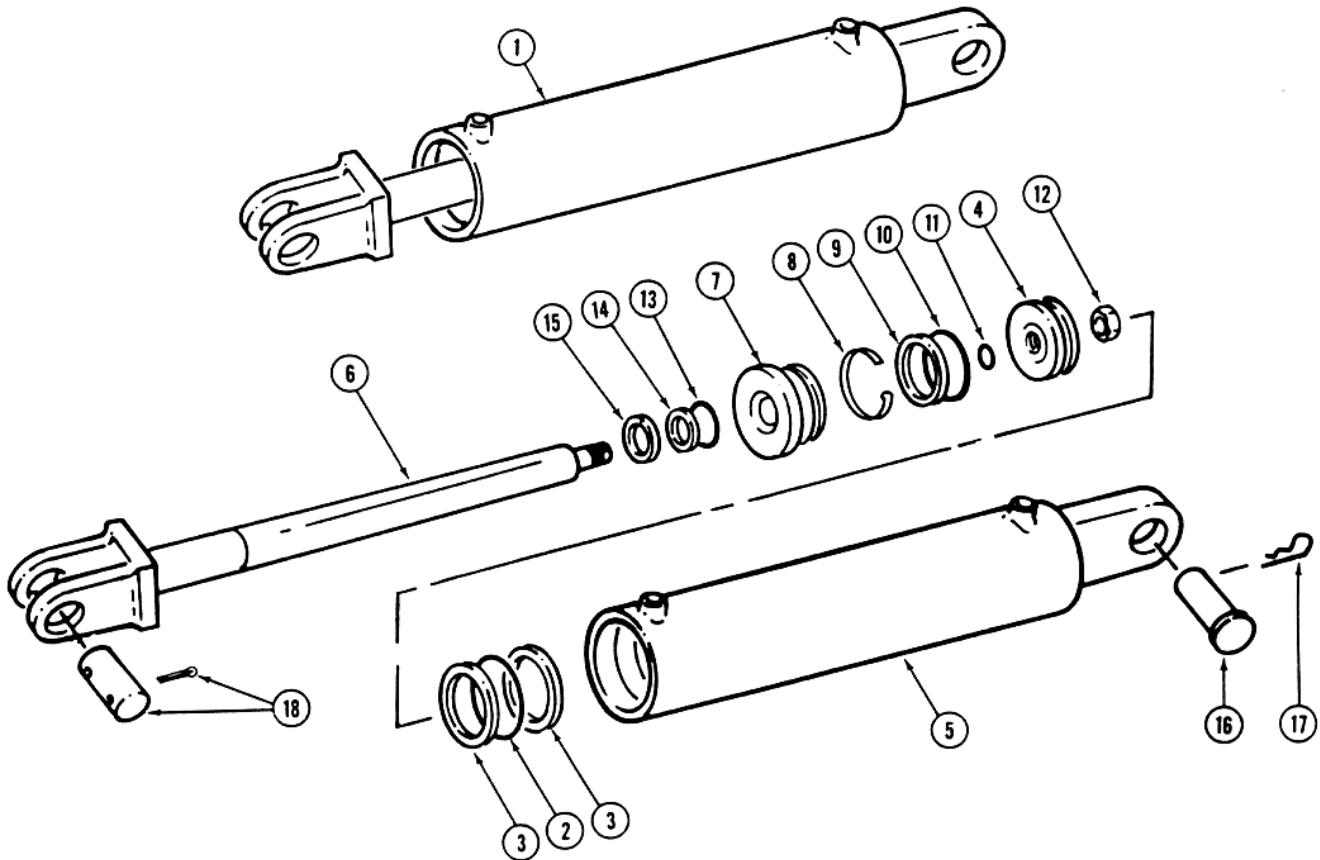
Key No.	Part No.	Qty.	Description	Comments
1	2000360	1	Pilot Valve	
2	3001271	1	Valve Base	
3	3000410	2	Gasket	
4	2000612	1	Valve Body and Spool	
5	3001273	1	Valve Cap	
6	4001879	1	Coupling	
	4001861	1	Nipple	
7	4000492	1	Woodruff Key	
8	3001275	1	Valve Bracket	
9	3000846A	1	Trip Lever w/Bolt	
10	4000841	1	Trip Lever Spring	
11	2000362	1	Cam Follower w/Grease Fitting	
	4000169	1	Grease Fitting	
12	5000645	1	#10 x 5/8" Socket Cap Screw	Set of 6
13	5000647	1	#10 x 7/8" Cap Screw & Lockwasher	Set of 6
14	4000491	4	Elbow w/Nut and Seal	
	5000547	4	Seal Only	
	5000548	4	Nut Only	
15	4001043	1	O-Ring	

Figure 43
Tilt Cylinder (1974-79)



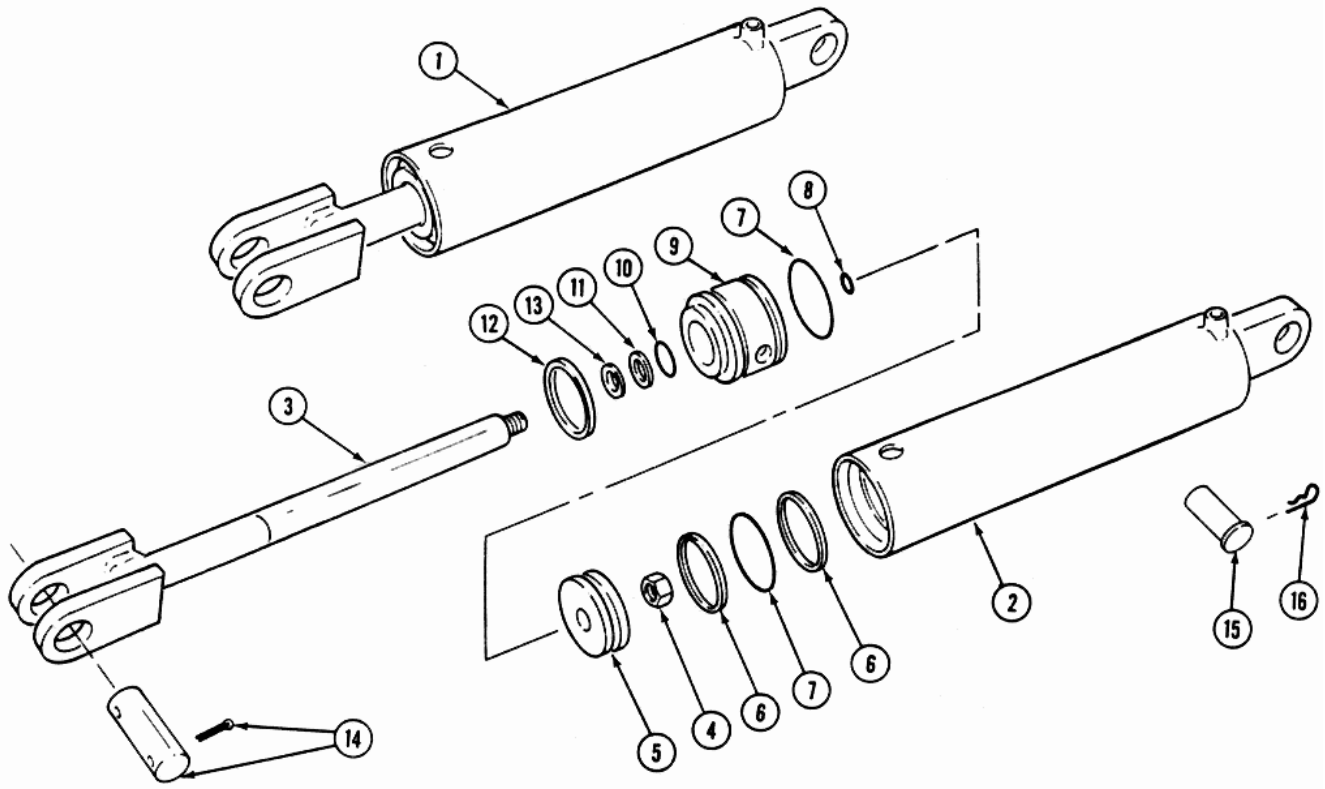
Key No.	Part No.	Qty.	Description	Comments
1	*****	1	Tilt Cylinder	Replaced by 4002133
	5000355	1	Seal Kit	Items 6-8 & 10-13
2	*****	1	Cylinder Body	
3	5000357	1	Piston Rod	Discontinued
4	5000346	1	7/8" - 14 Nut	Discontinued
5	5000359	1	Piston	Discontinued
6	*****	2	Back-Up Washer	
7	*****	2	O-Ring	
8	*****	1	O-Ring	
9	5000358	1	Piston Rod Guide	Discontinued
10	*****	1	O-Ring	
11	*****	1	Back-Up Washer	
12	*****	1	Retaining Ring	
13	*****	1	Rod Wiper	
14	4001531	1	Pin	
	5556692	2	1/4 x 2-1/2" Cotter Pin	
15	4001143	1	Clevis Pin	Discontinued
16	4001144	1	Hairpin Cotter	Discontinued

Figure 44
Tilt Cylinder (1979-91)



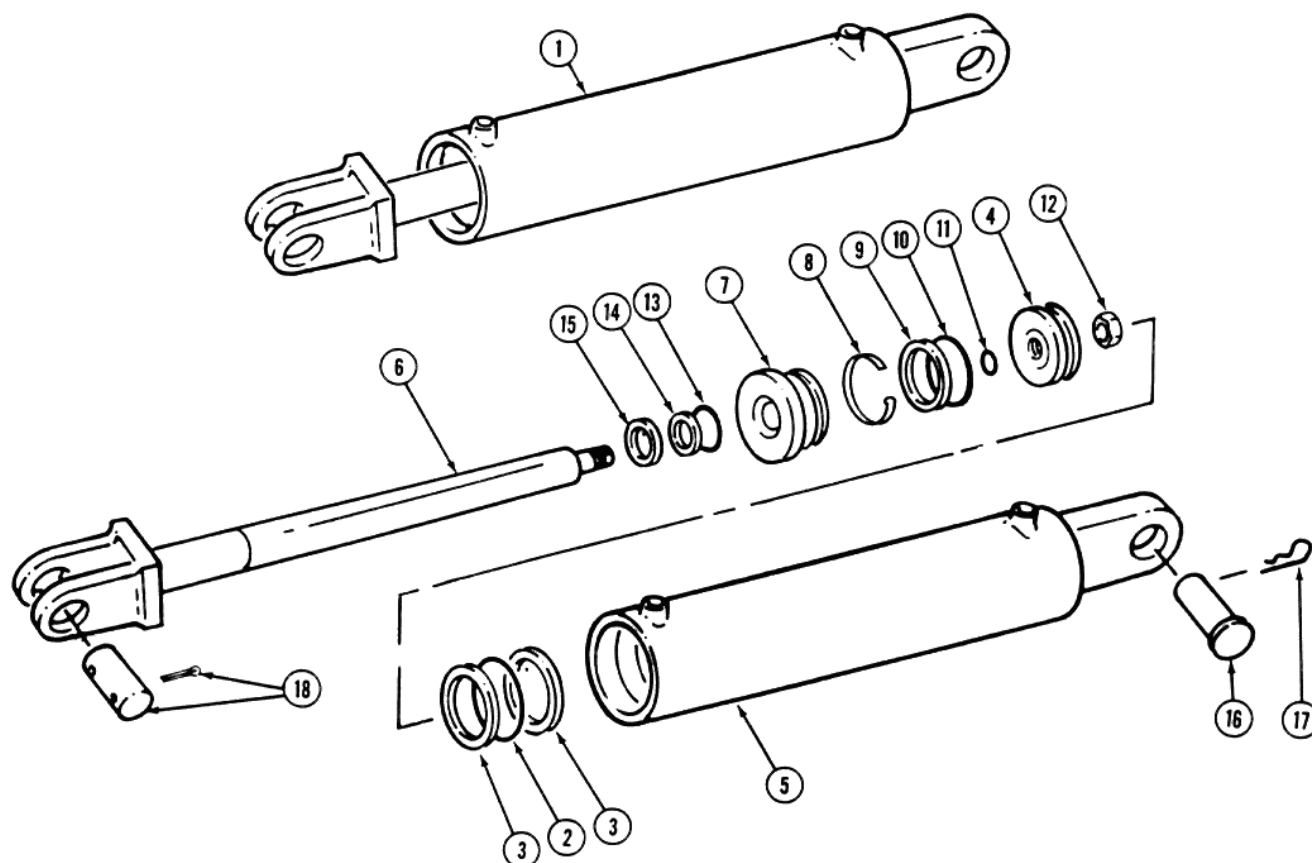
Key No.	Part No.	Qty.	Description	Comments
1	4001658	1	Tilt Cylinder	Replaced by 4002133
	5000529	1	Seal Kit	Items 2, 3, 9-11 & 13-15
2	*****	1	O-Ring	
3	*****	2	Back-Up Ring	
4	5000523	1	Piston	Discontinued
5	5000524	1	Cylinder Body	Discontinued
6	5000525	1	Piston Rod	Discontinued
7	5000526	1	Cylinder Head	Discontinued
8	5000527	1	Retainer	Discontinued
9	*****	1	Back-Up Ring	
10	*****	1	O-Ring	
11	*****	1	O-Ring	
12	5000528	1	Lock Nut	Discontinued
13	*****	1	O-Ring	
14	*****	1	Back-Up Ring	
15	*****	1	Wiper	
16	4001143	1	Clevis Pin	Discontinued
17	4001144	1	Hairpin Cotter	Discontinued
18	4001531	1	Pin	
	5556692	2	1/4 x 2-1/2" Cotter Pin	

Figure 45
Layback Cylinder (1974-79)



Key No.	Part No.	Qty.	Description	Comments
1	*****	1	Layback Cylinder	Replaced by 4002134
	5000354	1	Seal Kit	Items 6-8 & 10-13 Discontinued
2	*****	1	Cylinder Tube	
3	5000343	1	Piston Rod, 1" Thread	Discontinued
4	5000346	1	7/8" - 14 Nut	Discontinued
	5000346A	1	1" - 14 Nut	Discontinued
5	5000345	1	7/8" I.D. Piston	Discontinued
	5000345A	1	1" I.D. Piston	Discontinued
6	*****	2	Back-Up Washer	
7	*****	2	O-Ring	
8	*****	1	O-Ring	
9	5000344	1	Piston Rod Guide	Discontinued
10	*****	1	O-Ring	
11	*****	1	Back-Up Washer	
12	*****	1	Retaining Ring	
13	*****	1	Rod Wiper	
14	4001531	1	Pin	
	5556692	2	1/4 x 2-1/2" Cotter Pin	
15	4001143	1	Clevis Pin	Discontinued
16	4001144	1	Hairpin Cotter	Discontinued

Figure 46
Layback Cylinder (1979-91)



Key No.	Part No.	Qty.	Description	Comments
1	4001659	1	Layback Cylinder	Replaced by 4002134
	5000535	1	Seal Kit	Items 2, 3, 9-11 & 13-15
2	*****	1	O-Ring	
3	*****	2	Back-Up Ring	
4	5000530	1	Piston	Discontinued
5	5000531	1	Cylinder	Discontinued
6	5000532	1	Piston Rod	Discontinued
7	5000533	1	Cylinder Head	Discontinued
8	5000534	1	Retainer	Discontinued
9	*****	1	Back-Up Ring	
10	*****	1	O-Ring	
11	*****	1	O-Ring	
12	5000528	1	Lock Nut	Discontinued
	*****	1	O-Ring	
14	*****	1	Back-Up Ring	
15	*****	1	Wiper	
16	4001143	1	Clevis Pin	Discontinued
17	4001144	1	Hairpin Cotter	Discontinued
18	4001531	1	Pin	
	5556692	2	1/4 x 2-1/2" Cotter Pin	

Figure 47
 Hydraulic Pump (HD, HG 1974-77)
 (S/N: HD1250001-158, HG1250001-199)

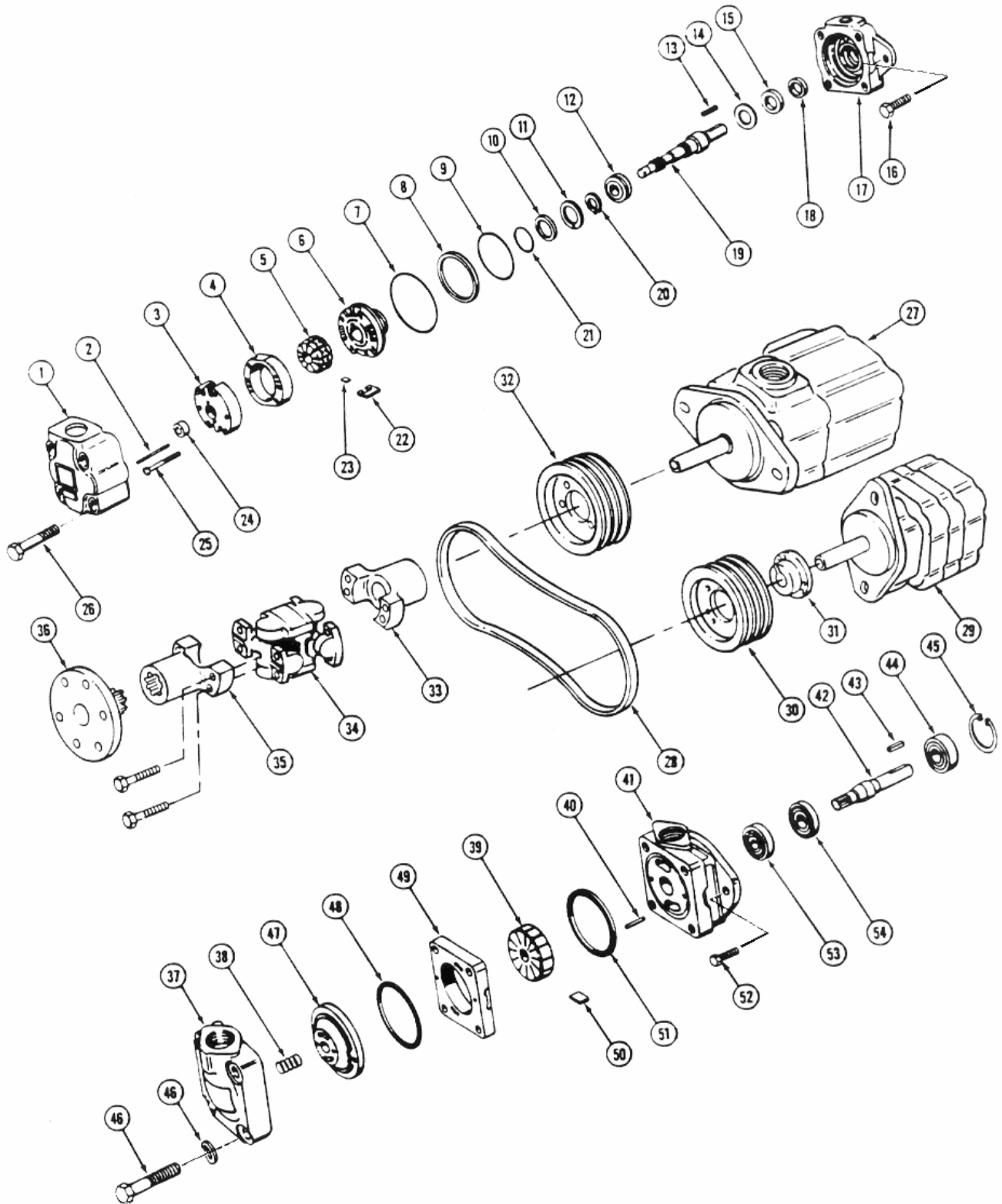


Figure 47
Hydraulic Pump (HD, HG 1974-77)
(S/N: HD1250001-158, HG1250001-199)

Key No.	Part No.	Qty.	Description	Comments
1	5000304	1	Cover	
2	5000305	2	Pin	VQ Series: 5000378
3	5000306	1	Wear Plate	VQ Series: 5000379
4	5000251	1	Ring	
5	5000252	1	Rotor	
6	5000309	1	Pressure Plate	VQ Series: 5000380
7				
8				
9				
10				
11	5000314	1	Lock Ring	
12	5000315	1	Bearing	
13	5000316	1	Key	
14	5000317	1	Washer	
15				
16	5000253	2	Bolt	
17	5000254	1	Body	
18				
19	5000321	1	Shaft	
20	5000322	1	Snap Ring	
21				
22	5000324	1	Vane, w/Insert	
23	*****	1	Insert #23	
24	*****	1	Bushing	
25	5000326	1	Screw	VQ Series: 5000382
26	5000327	1	Bolt	
27	4001284	1	Pump, 28 GPM	N/A Replaced by 4001651 (VQ)
	5000255	1	Seal Kit for 4001284	Includes Items: 7, 8, 9, 10, 15, 18, 21
	5000383	1	Seal Kit for 4001651	VQ Series - Includes Items: 7, 8, 10, 21 Discontinued
28	4001322	1	Belt, Set of 3	
29	4001283	1	Pump, 8 GPM	
	5000303	1	Seal Kit	Items 48, 51 & 54 Discontinued
30	4001323	1	Sheave	
31	4001324	1	Bushing	
32	3001424	1	U-Joint Sheave	
33	4700029A	1	Keyed Yoke w/Set Screw	
34	4001022	1	Double U-Joint w/Screws	
35	4750028	1	Splined Yoke	
36	2000281	1	HD Pump Adapter	
	2000314	1	HG Pump Adapter	
37	5000287	1	Cover	
38	5000288	1	Spring	
39	5000289	1	Rotor	
40	5000290	1	Pin	
41	5000291	1	Body	
42	5000292	1	Shaft	
43	5000293	1	Key	
44	5000294	1	Bearing	
45	5000295	1	Snap Ring	
46	5000296	4	Cover Screw	
47	5000258	1	Pressure Plate	
48	5000298	1	O-Ring	
49	5000299	1	Ring	
50	5000300	1	Vane	Kit of 12 Vanes
51	5000298	1	O-Ring	
52	5000257	1	Bolt, 3/8 UNF x 1-1/2"	
53	5000301	1	Bearing	
54	5000302	1	Seal	

Figure 48
Hydraulic Pump
(HJ, HG 1977-91, S/N: HG1250200-Up)

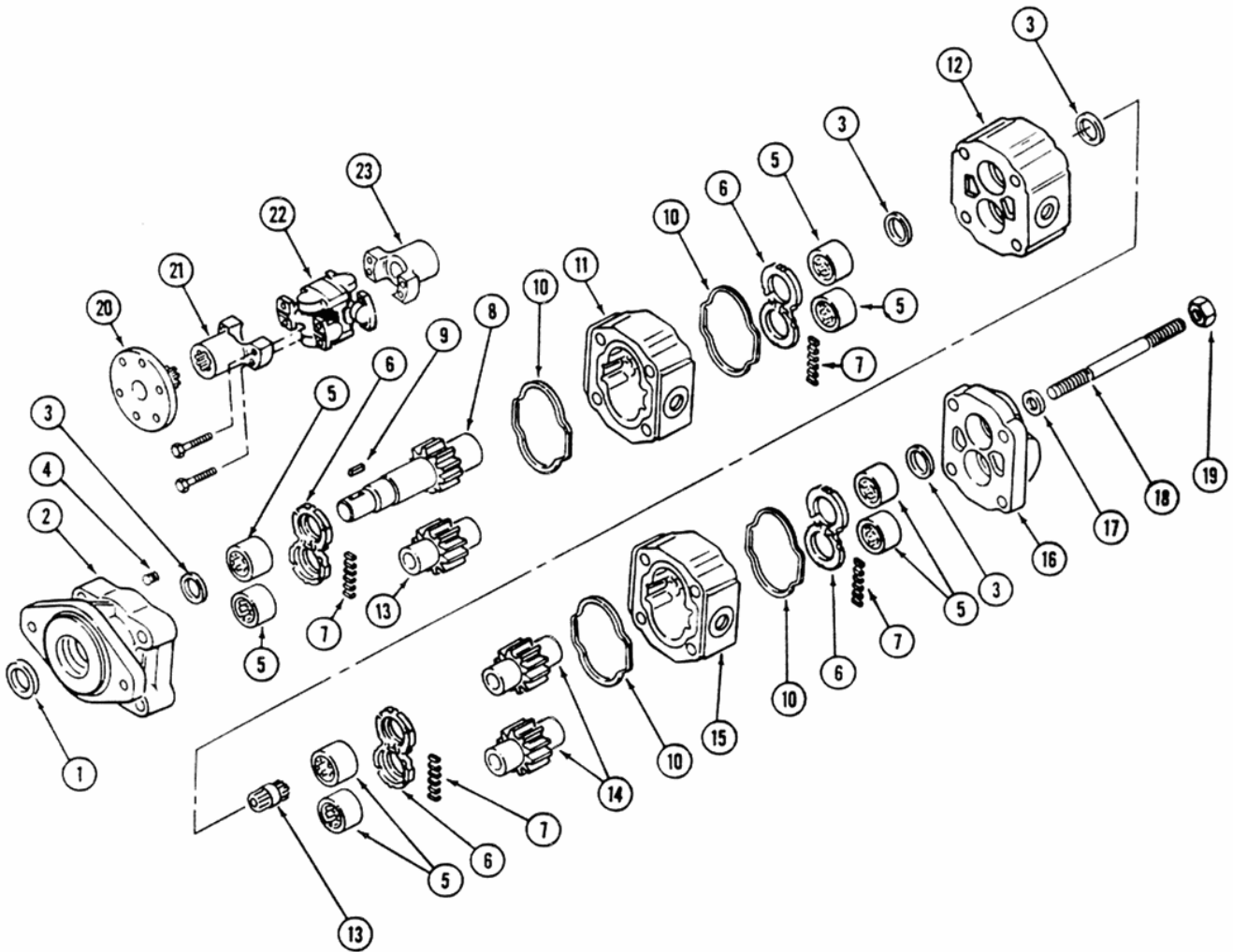


Figure 48
Hydraulic Pump
(HJ, HG 1977-91, S/N: HG1250200-Up)

Key No.	Part No.	Qty.	Description	Comments
	4001460	1	Hydraulic Double Pump	
1	5000425	1	Double Lip Seal	
2	5000426	1	Shaft End Cover	
3	5000427	4	Ring Seals	
4	5000428	1	Plug	
5	5000429	8	Roller Bearings	
6	5000430	4	Thrust Plates	
7	5000431	2	Pocket Strip	
8	5000432	1	Integral Shaft & Gear	
9	5000433	1	Key	
10	5000434	4	Gasket Seals	
11	5000435	1	Gear Housing	
12	5000436	1	Bearing Carrier	
13	5000437	1	Connecting Shaft	
14	5000438	1	Matched Gears	
15	5000439	1	Gear Housing	
16	5000440	1	Port End Cover	
17	5000441	4	Washers	
18	5000442	4	Studs	
19	5000443	4	Hex Nuts	
20	2000314	1	HG Pump Adapter	
	2000504	1	HJ Pump Adapter Thru S/N 3461
	2000716	1	Pump Adapter S/N 3462 & Up
21	4001020	1	Splined Yoke	
22	4001022A	1	Double U-Joint w/Screws	
23	4001472A	1	Keyed Yoke w/Set Screw	

Figure 49
Control Valves

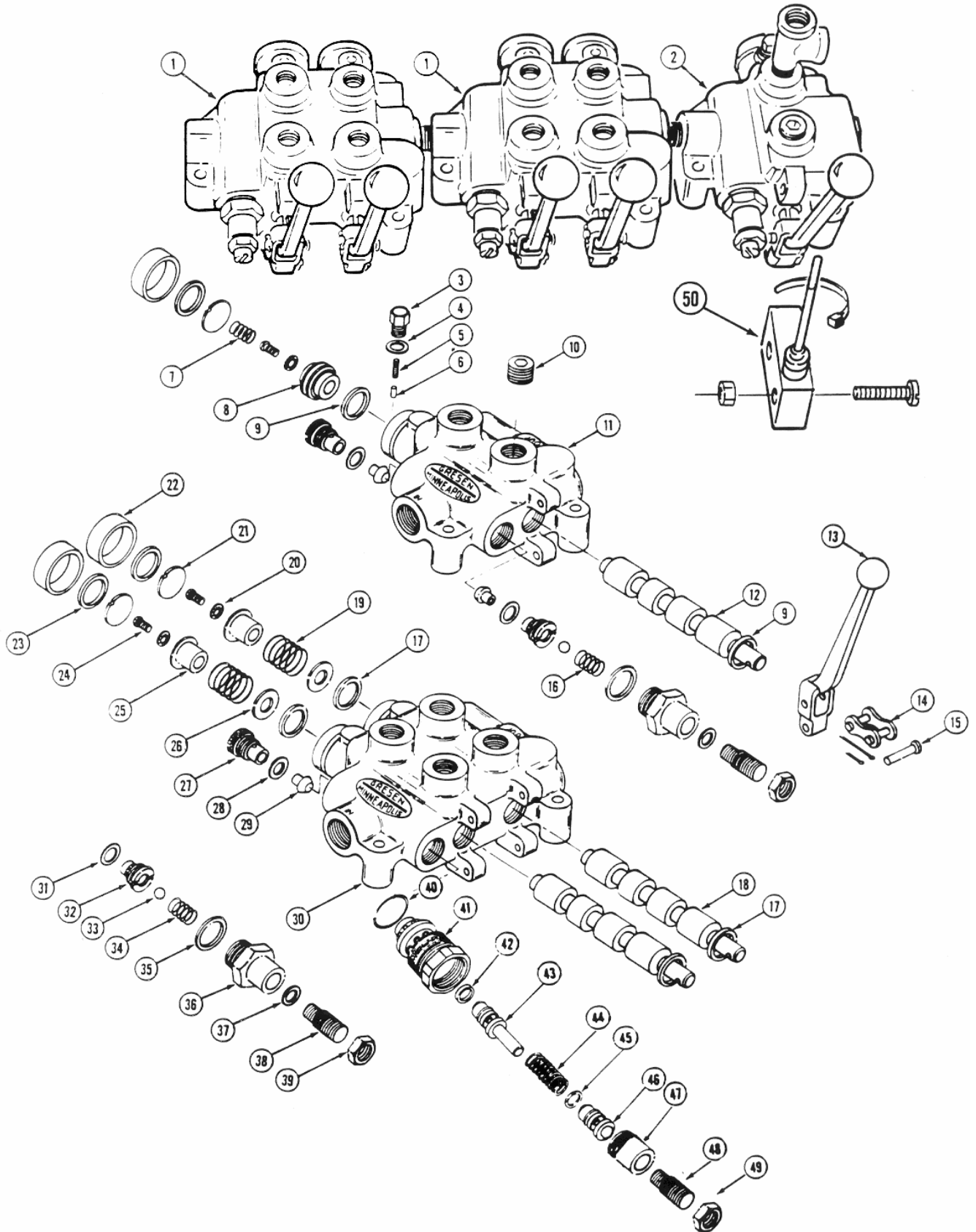


Figure 49
Control Valves

Key No.	Part No.	Qty.	Description	Comments
1	4001298	2	2-Spool Valve	Thru S/N 3513 Discontinued
	4001968	2	2-Spool Valve	S/N 3514-3599
	4000694	1	3-Spool Valve	Cable Adjust Option Thru S/N 3513
	4001971	1	3-Spool Valve	Cable Adjust Option S/N 3514-...
	4001712	1	1-Spool Valve	Electronic Control Option Thru S/N 3513
	4001970	1	1-Spool Valve	Electronic Control Option S/N 3514-...
	5000832	1	Seal Kit	Includes Items (4)17, (1)40, (1)45, (1)52, S/N 3514-...
	5000336	1	2-Spool Seal Kit	Items 17, 28, 31, 35 & 37, Thru S/N 3513
2	4001299	1	Automatic Valve	Thru S/N 3513 Discontinued
	4001967	1	Automatic Valve	S/N 3514-3599
	4750163	1	Automatic Valve	Electronic Control Option Discontinued
	5000338	1	1-Spool Seal Kit	Items 9, 28, 31, 35 & 37
3	5000243	1	Detent Cap	1974-75
4	5000235	1	Detent Spring Washer	1974-75
5	5000234	1	Detent Spring	1974-75
6	5000236	1	Detent Pin	1974-75
7	5000240	1	Spring	1974-75
8	5000237		Detent Adapter	1974-75
	5000610		Detent Adapter	1976-91
9	5000230	2	Spool Seal	
10	5000231	1	Port Plug	
11	*****	1	Valve Housing	
12	*****	1	3-Way Spool	
13	5000245	1	Handle	
14	5000229	1	Handle Link	
15	5000256	1	Handle Pin	
16	5000232	1	Relief Spring	145-400 PSI
	5000774	1	Automatic Valve Spring	2-500 PSI S/N 3514-3599
17	5000230	4	Spool Seal	
18	*****	2	4-Way Spool	
19	5000221	2	Centering Spring	
20	5000244	2	Lock Washer	
21	5000220	2	Stop Disc	
22	5000233	2	Rubber Bonnet	
23	5000222	2	Snap Ring	
24	5000218	2	Screw	
25	5000208	2	Stop Collar	
26	5000242	2	Stop Washer	
27	5000248	1	Check Ball Plug	
28	4001042	1	O-Ring	
29	5000247	1	Check Poppet	
30	*****	1	Valve Housing	
31	4001043	1	O-Ring	Thru S/N 3513
32	5000249	1	Relief Valve Seat	Thru S/N 3513
33	5000216	1	1/2" Steel Ball	Thru S/N 3513
34	5000224	1	Relief Spring	290-1500 PSI, Thru S/N 3513
35	4001201	1	Relief Body Gasket	Thru S/N 3513
36	5000226	1	Relief Body	Thru S/N 3513
37	5000228	1	O-Ring	Thru S/N 3513
38	5000227	1	Adjusting Screw	Thru S/N 3513
39	5000238	1	Jam Nut	Thru S/N 3513
40	5000737	1	O-Ring	S/N 3514-3599
41	5000738	1	Relief Body	S/N 3514-3599
42	*****	1	Piston Ring (not sold separately)	S/N 3514-3599
43	5000740	1	Relief Poppet & Ring (Items 42 & 43)	S/N 3514-3599
44	5000742	1	Spring	500-1350 PSI S/N 3514-3599
45	5000741	1	O-Ring	S/N 3514-3599
46	5000744	1	Piston	S/N 3514-3599
47	5000745	1	Relief Cap	S/N 3514-3599
48	5000746	1	Adjusting Screw	S/N 3514-3599
49	5000743	1	Jam Nut	S/N 3514-3599

Figure 50
Hammer Control Valve

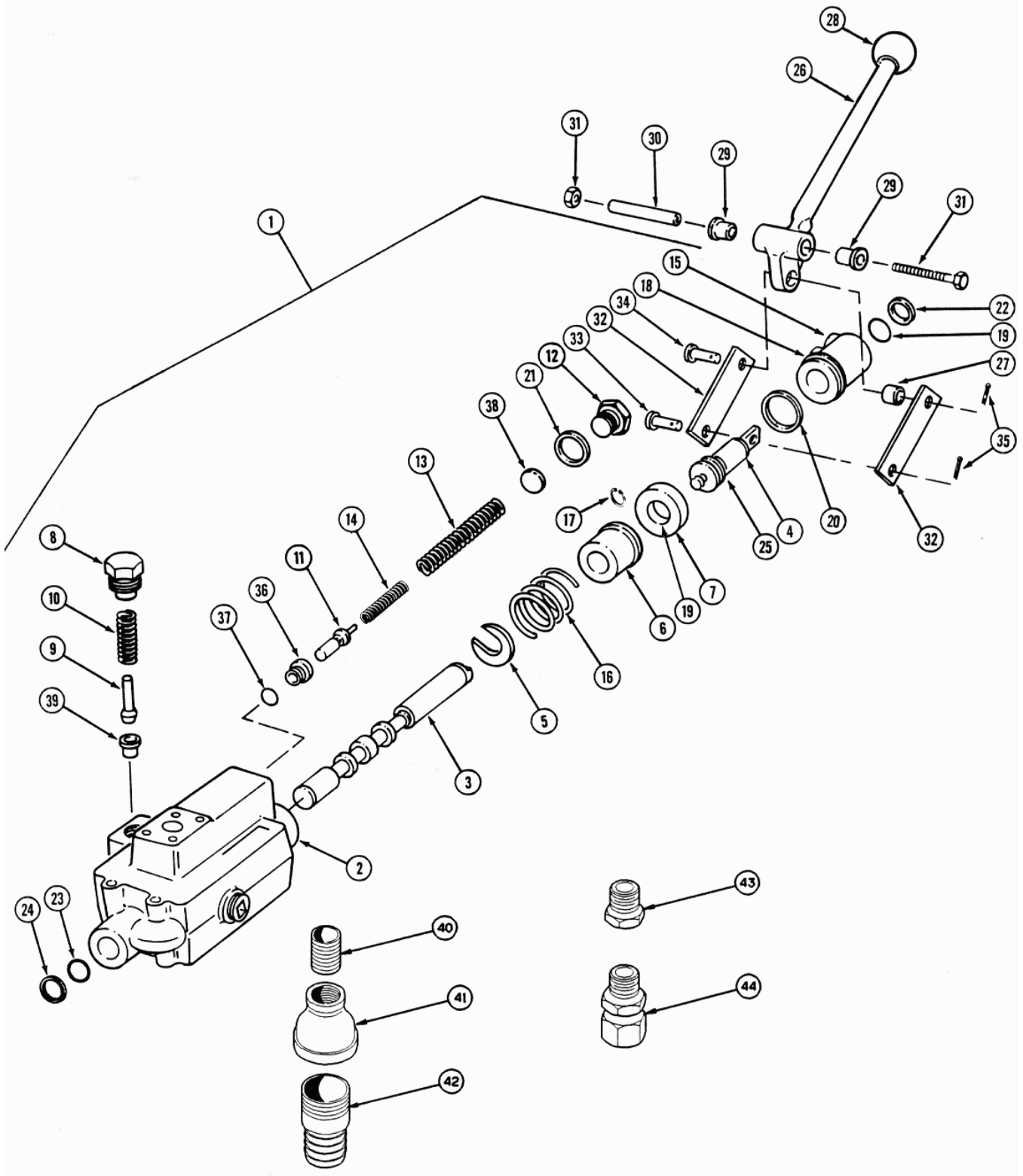


Figure 50
Hammer Control Valve

Key No.	Part No.	Qty.	Description	Comments
1	2000383	1	Hammer Control Valve	Handle and Linkage not included
	5000335	1	Seal Kit	Items 19-25 & 37
2	*****	1	Valve Body	
3	*****	1	Spool	
4	3001342	1	Servo Spool	
5	3001333	1	C-Washer	
6	3001334	1	Stop Sleeve	
7	3001174	1	Spool Guide	
8	3001336	1	Check Valve Plug, 1" NPT	1974-75
	3001999	1	Check Valve Plug, SAE 16	1976-91
	4001895	1	O-Ring	Use w/3001999
9	3001335	1	Check Valve	
10	4001216	1	Check Valve Spring	
11	3001337	1	Relief Valve	
12	3000951	1	Relief Valve Nut, 1-1/4" NF	1974-75
	3001998	1	Relief Value Nut, SAE 14	1976-91
13	4001217	1	Outer Spring	
14	4001218	1	Inner Spring	
15	3001331	1	Servo Cylinder	
16	4001219	1	Valve Spool Spring	
17	4001212	1	Snap Ring	
18	4001213	1	Snap Ring	
19	4001058	2	O-Ring	
20	4001068	2	O-Ring	
21	4001214	1	Copper Gasket	Use w/3000951
	4001894	1	O-Ring	Use w/3001998
22	4001954	1	Oil Seal	
23	4001062	1	O-Ring	
24	4001955	1	Oil Seal	
25	4001220	1	Servo Piston Ring	
26	2000268	1	Valve Handle w/Bushing	
27	4000796	1	Bushing	
28	4001169	1	Ball Knob	
29	4000777	2	Nylon Bushing	
30	3001230	1	Shaft	
31	5540469	1	1/2" - 20 x 5" Bolt	
	5550417	1	1/2" - 20 Lock Nut	
32	3001330	2	Handle Link	
33	4001160	1	7/16" Clevis Pin	
34	4001362	1	5/8" Clevis Pin	
35	5556536	2	3/32" x 1" Cotter Pin	
36	3001343	1	Relief Valve Seat	
37	4001044	1	O-Ring	
38	3001344	1	Pressure Adjusting Shim	
39	3001856	1	Check Valve Seat	1976-87
	3002006	1	Threaded Seat	1988-91
40	4001869	1	1-1/4" Close Nipple	
41	4001856	1	2" x 1-1/4" Bell Reducer	
42	4001273	1	2" Hose Nipple	
	2000667	1	2" Restricted Hose Nipple	Electronic Stroke Control

Figure 51
Creeper and Bypass Valve

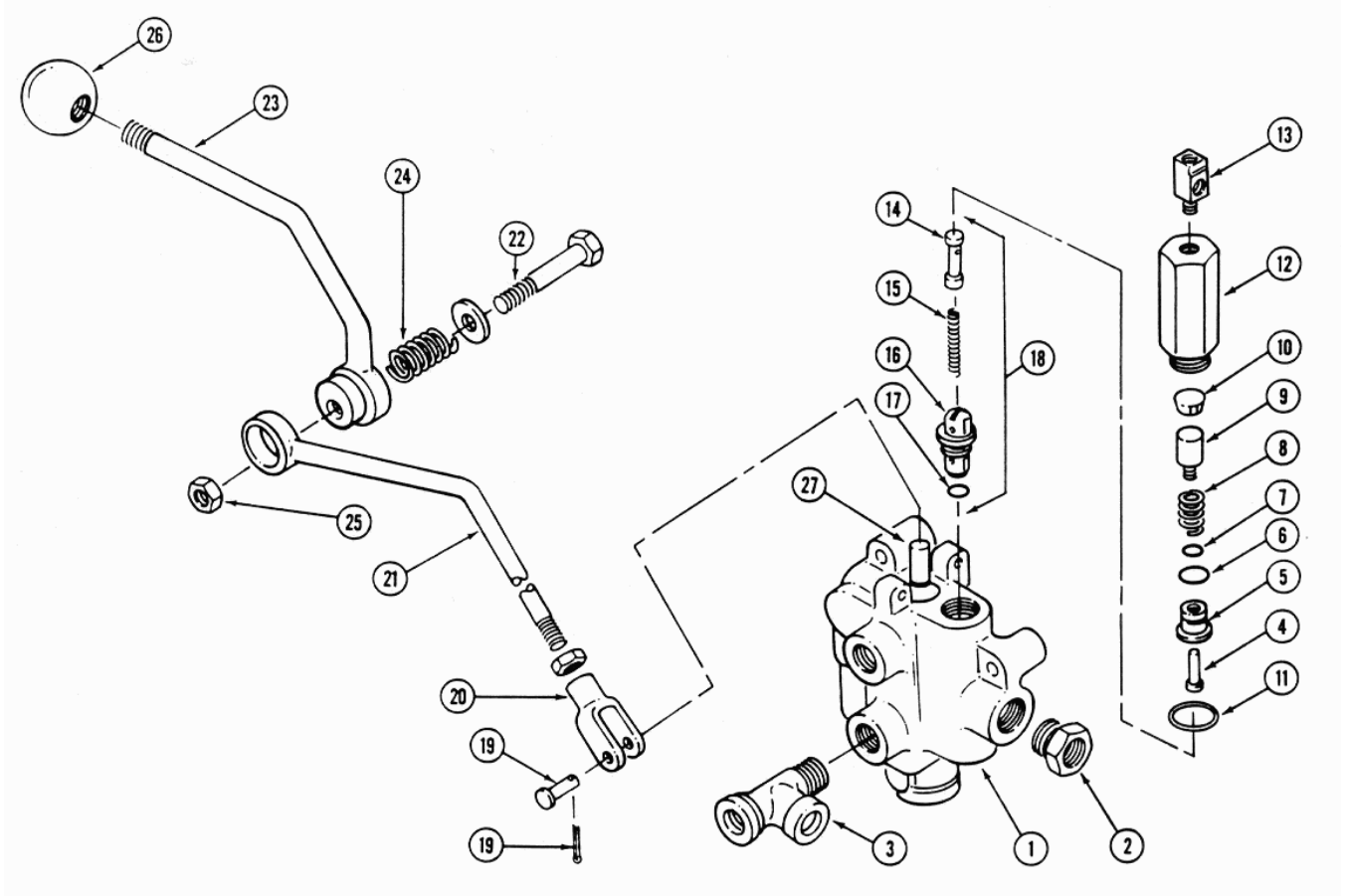


Figure 51
Creeper and Bypass Valve

Key No.	Part No.	Qty.	Description	Comments
1	4001209	1	Creeper Valve	
	2000594	1	Valve Assembly	Items 1-17
2	4001857	2	3/4" x 1/2" Reducer	
3	4001873	2	1/2" Street Tee	
4	2000373	1	Plunger	
5	3001316	1	Cylinder Head	
6	4001042	1	Outer O-Ring	
7	4001034	1	Inner O-Ring	
8	4001198	1	Large Spring	
9	3001317	1	Piston	
10	4001197	1	Piston Cup	
11	4001201	1	Seal	
12	3001318	1	Bypass Cylinder	
	5000203	1	Bypass Valve	Items 4-10, 12
	2000372	1	Bypass Assembly	Items 4-17
13	4001200	1	Brake Line Tee	
14	*****	1	1/2" Spool	
15	4001199	1	Small Spring	
16	*****	1	1/2" Cylinder	
17	4001043	1	O-Ring	
18	5000202	1	Cylinder Assembly	Items 14-18
19	4000535	1	Clevis Pin	
	5556536	1	3/32 x 1" Cotter Pin	
20	4750133	1	Clevis	
21	2000080	1	Control Rod	
	5550617	1	1/2" - 20 Jam Nut	
22	5540446	1	1/2" - 20 x 3-3/4" Bolt	
23	2000375	1	Control Handle	
24	4001204	1	Spring	
25	5550417	1	1/2" - 20 Lock Nut	
26	4001206	1	Ball Knob	
27	5000230	2	Spool Seal	
28	5000338	-	Creeper Valve Seal Kit	Items 6, 11, 17, 27

Figure 52
Hydraulic Fittings

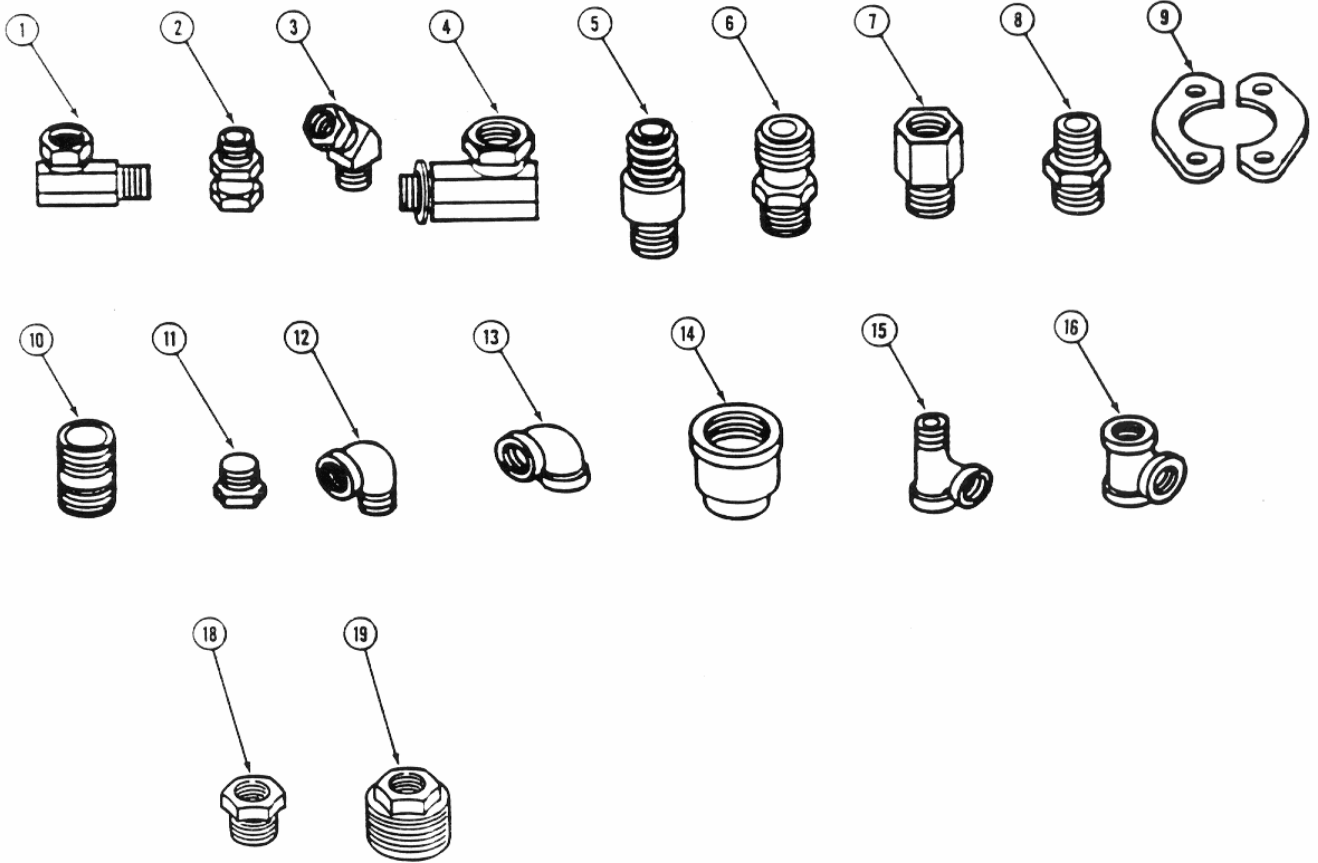


Figure 52
Hydraulic Fittings

Key No.	Part No.	Qty.	Description	Comments
1	4000064		1/4" - 90° Swivel	
	4001806		1/4" x 3/8" - 90° Swivel	
	4001293		3/8" x 1/4" - 90° Swivel	
	4001290		3/8" - 90° Swivel	
	4000224		3/8" - 90° Restrictor	For layback cylinder
	4000347		1/2" x 3/8" - 90° Swivel	
	4000122		1/2" - 90° Swivel	
	4000448		3/4" - 90° Swivel	
2	4001296		1/4" x 3/8" Swivel	
	4000748		3/8" Swivel	
	4000392		1/2" x 3/8" Swivel	
	4000260		1/2" Swivel	
	4000772		3/4" Swivel	
	4000894		1" Swivel	
3	4001547		1/2" - 45° Swivel	
	4001494		3/4" - 45° Swivel	
	4001404		1" - 45° Swivel	
4	4001289		1" - 90° Swivel	
5	4001272		1-1/4" Hose Nipple	
	4001273		2" Hose Nipple	
6	4001550		1-1/4" Hose Nipple	
	2000418		2" Hose Nipple	
7	4001492		3/4" Adapter	
	4001488		1" Adapter	
8	4001489		1-1/4" Adapter	
9	4001288		Split Flange Half	
10	4001860		1/8" x 2" Nipple	
	4001861		1/4" Close Nipple	
	4001863		3/8" Close Nipple	
	4001600		1/2" Close Nipple	
	4001864		1/2" x 2" Nipple	
	4001865		1/2" x 3" Nipple	
	4001866		3/4" Close Nipple	
	4001867		3/4" x 1-3/4" Nipple	
	4001868		1" Close Nipple	
	4001869		1-1/4" Close Nipple	
	4001596		2" x 4" Nipple	
11	4001881		1/8" Plug	
	4001884		1/4" Plug	
	4001882		1/2" Plug	
	4001889		1/2" x 3/8" Hex Bushing	
12	4001568		1/4" - 90° Street Elbow	
	4001877		3/8" - 90° Street Elbow	
	4001548		3/4" - 90° Street Elbow	
	4001878		1-1/4" - 90° Street Elbow	
13	4001875		1/4" - 90° Elbow	
	4001876		1/2" - 90° Elbow	
	4001543		1" x 1-1/4" - 90° Elbow	
	4001597		2" - 90° Elbow	
14	4001856		2" x 1-1/4" Bell Reducer	
15	4001873		1/2" Street Tee	
	4001549		3/4" Street Tee	
	4001874		2" Street Tee	
16	4001870		1/8" Tee	
	4001871		1/2" Tee	
	4001599		3/4" x 3/4" x 1/2" Tee	
17				
18	4001857		3/4" x 1/2" Hex Bushing	
19	4001858		2" x 1" Hex Bushing	

Figure 53
Electrical System

Key No.	Part No.	Qty.	Description	Comments
1	4001705	1	Turn Signal Flasher	Optional
2	4000810	1	Brake Light Switch	
3	4001808	1	Turn Signal Switch	Optional
4	4000834	1	Horn Relay	
5	4000833	1	Horn	
6	4000835	1	Horn Button Kit	
7	4001025	2	Head Light	Optional
8	4001738	2	Clearance Light	Optional
9	4001262	2	Turn Signal Lamp	Optional
10	4001263	1	Circuit Breaker	
11	4001265	1	Ignition Switch	1974-87
	5000444	1	Key Set for 4001265	
	4001888	1	Ignition Switch	1987-91
	5000638	1	Key for 4001888	
12	4001340	1	Choke	HG
	5000376	1	Throttle Stop Cable	HD
13	4000656	1	Light Switch	
14	4000166	1	Hour Meter	
15	4001411	1	Fuel Gauge	
16	4001189	1	Ammeter	
17	4001612	1	Temperature Gauge	1979-88, Discontinued
	4001917	1	Temperature Gauge	1988-91
18	4001186	1	Oil Gauge	
19	4000646	1	Pressure Switch	
20	4000790	1	38" Oil Hose	HD
	4001341	1	24" Oil Hose	HG, HJ
21	2000606	1	Fuel Sender Wire	
22	4001412	1	Fuel Sender	
23	4001413	1	Sender Gasket	
24	4002203	2	Tail Light	
25	2000381	1	Battery Hold Down	HD, HJ-2
26	4001538	2	Battery Bolt	HD, HJ-4
27	*****	1	Group 27 Battery	HD, HJ-2
28	3001341	1	Plywood Base	HD, HJ-2
29	3001501	1	Base Plate	HD, HJ-2
30	4001142	1	Negative Battery Cable	HD, HJ-2
31	2000463	1	Twin Battery Cable	HD, HJ
	4001230	1	Battery Cable	HG
32	2000403	1	Tail Light Wire Harness	
33	4001321	1	Starter Cable	HG
34	5000193	1	Starter Solenoid	HG
35	2000456	1	HD Generator Wire Harness	
	2000457	1	HD Starter Wire Harness	
	2000404	1	HG Engine Harness	1974-85
	2000691	1	HG Engine Harness	1986-91
	2000405	1	HG Firewall Harness	1974-76
	2000534	1	HG Firewall Harness	1976-91
	2000513	1	HJ Engine Harness	
	2000514	1	HJ Alternator Harness	
	2000517	1	HJ Starter Wire Harness	
36	4001613	1	3/8" Temperature Sender	HG, Use w/4001612
	4001614	1	1/2" Temperature Sender	HD, HJ Use w/4001612
	4001920	1	3/8" Temperature Sender	HG, Use w/4001917
	4001918	1	1/2" Temperature Sender	HD, HJ Use w/4001917
37	5000403	1	HD Voltage Regulator	
	5000195	1	HG Voltage Regulator	1974-76
	5000405	1	HG Voltage Regulator	1976-91
38	2000406	1	Dash Wire Harness	
39	4002143	3	Safety Switch	

Figure 54
Electronic Stroke Control

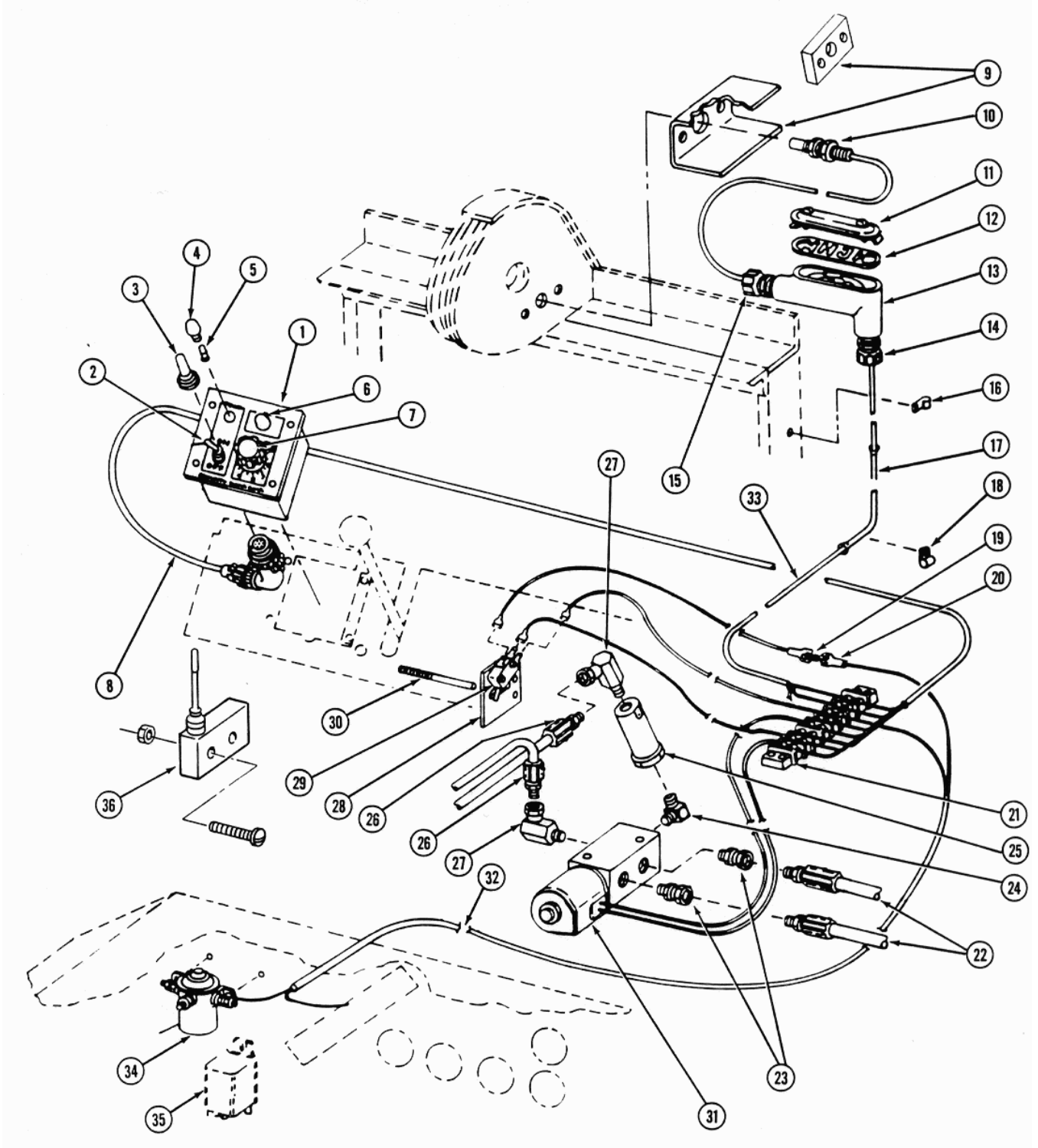


Figure 54
Electronic Stroke Control

Key No.	Part No.	Qty.	Description	Comments
1	2000608	1	Controller	
2	4001852	1	Toggle Switch	
3	4001853	1	Boot	
4	4001724	1	Red Lens	
5	4001723	2	Lamp	
6	4001725	1	Amber Lens	
7	4001721	1	Knob	
8	2000609	1	Control Cable	
9	3001827	1	14mm Sensor Bracket	1982-87
	3002003	1	18mm Sensor Bracket	1987-91
10	*****	1	14mm Sensor w/Nuts	Discontinued 1987
	5000628	1	14mm Nut Only	
	4001890	1	18mm Sensor w/Nuts	1987-91
11	4001791	1	Cover	
12	4001790	1	Gasket	
13	4001789	1	Conduit Body	
14	4001788	1	Cord Grip	
15	4001782	1	Cord Grip	
16	4000584	4	J Clip	
17	3001895	1	Conduit	
18	4000686	2	Clamp	
19	4001779		5 Amp Fuse	
20	4001778		Fuse Holder	
21	4001234		Terminal Block	
22	4001421	2	3/8 x 30 Hose	
23	4001296	2	1/4 x 3/8 Swivel	
24	4001891	1	Male Elbow	
25	4001812	1	Oil Filter	
26	4001306	2	3/8 x 40 Hose	
27	4001806	2	1/4 x 3/8 - 90° Swivel	
28	3001887	1	Switch Bracket	
29	4001786	1	Valve Switch	
30	3001858	1	Actuating Rod	
31	4001805	1	Solenoid Valve	
32	2000626	1	Relay Wire Harness	
33	2000625	1	Shielded Cable	
34	4001849	1	Solenoid	1985-91
35	4001722	1	Relay	Discontinued 1985
36	4002143	1	Safety Switch	
	5503071	2	#6-32 x 1-1/8" Screw	
	5550402	2	#6-32 ESNA Locknut	

Decals

Item No.	Part No.	Qty.	Description	Comments
	2000171		Decal Set	Items 1-4, 6-8, 10-14, 17-19, 22-25, 29-31, 33-37, 39, 46
1	3000605	1	Stroke Adjust	
2	3000609	1	Side Shift	
3	3000610	1	Auto Stroke	
4	3000611	1	Layback	
5	3000612	1	Cable Adjust	Option
6	3000613	1	Hammer	
7	3000614	1	Creep Shift	
8	3000615	1	Gearshift	
9	3000616	1	Twist Lock Warning	Option
10	3000617	1	Creep Drive	
11	3000618	1	Lead Tilt	
12	3000619	10	Grease Fitting	
13	3000620	2	Arrow Global	
14	3000621	1	Arrow Bumper	
15	3000655	1	Diesel Fuel	HD, HJ
16	3000656	1	Gasoline	HG
17	3000748	1	Air Cleaner	
18	3001053	1	Weight Lock	
19	3002240	1	Hydraulic Fluid	
20	3001436	2	HG1250	HG
21	3001498	2	HD1250	HD
22	3001555	1	Safety Rules	
23				
24	3001749	1	Inspection	
25	3001758	1	Caution	
26	3001823	2	HJ1250R	HJ
27	3002046	1	Twist Lock Instruction	Option
28	3002047	2	Strip Decal	
29	3002062	1	←Arrow—«	
30	3002063	1	»—Arrow—→	
31	3002241	1	Creep Shift	
32				
33	3002163	1	Ignition Switch Decal	
34	3002164	1	Engine Speed Decal	
35	3002165	1	Engine Warning Decal	
36	3002167	1	Starting Procedure Decal	
37	3002168	1	Caution, "Hot Muffler" Decal	
38				
39	3002244	1	Cable Installation Decal	
40				
41				
42				
43				
44				
45				
46	3002253	2	Lockweight & Layback Decal	

Accessories

- Headlights
- Fender Mounted Turn Signals
- Bracket Mounted Turn Signals
- Clearance Lights
- Vandalism Protection Kit
- Seat Belts
- Tool Box
- Slow Moving Vehicle Sign
- Tamper Storage rack
- Cab Heater
- Rollover Protection System
(ROPS) Including Seat Belt
- All Weather Cab
- Defroster Fan
- Spare Cable (250 FT. Roll)
- Chip Guard
- Engine Block Heater
- Amber Emergency Light
- Air Cleaner Indicator
- Cab Mirror
- ROPS Mirror
- Hydraulic Oil Temperature Gauge
- Deluxe Suspension Seat
- Tachometer
- Ether Starting
- Engine Shutdown Gauge Set
- Gauge Lighting
- Cigarette Lighter
- Lighted License Plate Bracket
- Back-up Lights
- Fenders
- Dual Drive Wheels
- Electric Back-up Alarm

How to Order Parts

All parts orders should be placed with your nearest Arrow-Master distributor.

Always give the model designation and the serial number of your machine. This information is stamped on the brass plate which is located on the firewall.

Model & Serial Number Listing by Year

HD 1250 (Detroit Diesel)	HG1250 & HGR1250 (Ford, Gasoline)	HJ1250 & HJR1250 (John Deere, Diesel)
1974 HD1250001-151	1974 HG1250001-100	1974 HJ1250010-013
1978 HD1250157-158	1975 HG1250101-108	1975 HJ1250014-032
	1976 HG1250109-150	1976 HJ1250033-69
	1977 HG1250151-227	1977 HJ1250070-149
	1978 HG1250228-276	1978 HJ1250150-256
	1979 HG(R)1250277-296	1979 HJ(R)1250257-384
	1980 HG(R)1250297-301	1980 HJ(R)1250385-499
	1981 HG(R)1250302-305	1981 HJ(R)1250500-567
	1982 HG(R)1250306-310	1982 HJ(R)1250568-594
	1983 HG(R)1250311-315	1983 HJ(R)1250595-665
	1984 3025-3096	1984 3001-3110
	1985 3176-3189	1985 3130-3209
	1986 3235-3250	1986 3220-3283
	1987 3281-3353	1987 3284-3353
	1988 3354-3403	1988 3354-3403
	1989 3404-3469	1989 3404-3469
		1990 3470-3528
		1991 3529-3599

Index

Description	Page No.
Accessories	83
Axle, Drive (IHC 1974-82)	8
Axle, Drive (Rockwell 1979-91)	12
Axle, Steering (IHC 1974-83)	6
Axle, Steering (Spicer 1984-91)	10
Brake, Drive Axle (IHC 1974-82)	16
Brake, Drive Axle (Rockwell 1979-91)	18
Brake, Parking (IHC Drive Axle 1974-83)	26
Brake, Parking (Rockwell Drive Axle 1979-84)	27
Brake, Parking (Rockwell Drive Axle 1985-91)	28
Brake, Service (IHC Axle 1974-83)	22
Brake, Service (Rockwell and Spicer Axle 1984-91)	24
Brake, Steering Axle (IHC 1974-83)	14
Carriage 42	
Chassis (IHC Axle)	4
Chassis (Rockwell and Spicer Axle)	5
Cover Plates	50
Creeper Gear (1250)	46
Creeper Interlock (1250)	48
Cylinder, Automatic	56
Cylinder, Hammer Lift	58
Cylinder, Layback (1974-79)	64
Cylinder, Layback (1979-91)	65
Cylinder, Remote Stroke Adjustment (1974-75)	59
Cylinder, Remote Stroke Adjustment (1975-91)	60
Cylinder, Tilt (1974-79)	62
Cylinder, Tilt (1979-91)	63
Decals	82
Electrical System	78
Electronic Stroke Control	80
Engine/Transmission HD1250 (Detroit Diesel)	34
Engine/Transmission HG1250,HGR1250 (Ford Gasoline)	36
Engine/Transmission HJ1250,HJR1250 (John Deere Diesel)	38
Hammer Components	2
Hammer Tools, Weight	45

Description	Page No.
Hub, IHC Drive Axle (1974-82)	20
Hub, IHC Steering Axle (1974-83)	19
Hub, Rockwell Drive Axle (1979-91)	21
Hydraulic Fittings	76
Hydraulic Hoses	54
Hydraulic System	52
Lead	43
Pedal Assembly, Brake	29
Pedal Assembly, Clutch	29
Pumps, Hydraulic (HD, HG 1974-77)	66
Pumps, Hydraulic (HG 1977-91HJ)	68
Sideshift Ways	42
Steering, Hydraulic (1974-84)	31
Steering, Manual Gear (1974-84)	30
Steering, Power (1985-91)	32
Tank, Fuel and Hydraulic	33
Throttle Assembly	40
Valve, Breakdown	3
Valve, Control	70
Valve, Creeper and Bypass	74
Valve, Hammer Control	72
Valve, Pilot	61
Wheels, IHC Axles	4
Wheels, Rockwell and Spicer Axles	5