

**ARROW - MASTER**  
MOBILE HYDRAULIC HAMMER

**Section 1**

**MODELS 1350  
& 1350T**  
Parts Manual

**ARROW-MASTER  
INCORPORATED**



**ARROW - MASTER**  
**MOBILE HYDRAULIC HAMMER**

**Section 1**

**MODELS 1350**  
**& 1350T**  
**Parts Manual**

**Publication No. 5000073**  
**(Revised 10/14)**

**SERIAL NUMBER:** \_\_\_\_\_

**SOLD AND  
SERVICED BY:** \_\_\_\_\_



**ARROW-MASTER, INCORPORATED**

1201 Seventh Street • East Moline, IL 61244  
[www.arrowmaster.com](http://www.arrowmaster.com)

# Table Of Contents **Section 1**

---

## **Section 1**

<b>Hammer Assembly Groups</b> .....	<b>2</b>
<b>Chassis and Wheels</b> .....	<b>4</b>
Steering Axle .....	6, 6a
Drive Axle S/N: 6000 - 6489 .....	8
Drive Axle S/N: 6490 - .... ..	10, 10a, 10b
Drive Axle Brakes S/N: 6000 - 6209 .....	12
Service Brakes S/N: 6000 - 6209 .....	14
Service Brakes S/N: 6210 - 7099 .....	16
Service Brakes S/N: 7100 - .... ..	16a
Parking Brake S/N: 6000 - 6209 .....	18
Parking Brake S/N: 6210 - 7099 .....	20
Parking Brake S/N: 7100 - .... ..	20a
<b>Clutch and Brake Pedals</b> .....	<b>22</b>

## **For Section 2 click here**

<b>Power Steering</b> .....	<b>23</b>
<b>Fuel and Hydraulic Tanks</b> .....	<b>24</b>
<b>Engine/Transmission</b> .....	<b>26</b>
John Deere Diesel S/N: 6000 - 6499 .....	26
John Deere Diesel S/N: 6500 - .....	28
<b>Throttle Assembly</b> .....	<b>30</b>
<b>Carriage and Sideshift</b> .....	<b>32</b>
<b>Layback Release</b> .....	<b>33</b>
<b>Lead</b> .....	<b>34</b>
<b>Hammer Weight</b> .....	<b>35</b>
<b>Hammer Tools</b> .....	<b>36</b>
<b>Creeper Gear</b> .....	<b>38</b>
<b>Creeper Cover</b> .....	<b>40</b>
<b>Cover Plates</b> .....	<b>42</b>

## **For Section 3 click here**

<b>Hydraulic Components</b> .....	<b>44</b>
Hydraulic Hoses .....	46
Hydraulic Hoses Electronic Stroke .....	46a
Automatic Cylinder .....	48
Hammer Lift Cylinder .....	50
Pilot Valve .....	51
Tilt Cylinder .....	52
Layback Cylinder .....	53
Hydraulic Pump .....	54
Control Valves .....	56
Hammer Control Valve .....	58
Creeper and Bypass Valve .....	60
Hydraulic Fittings .....	62
<b>Instruments &amp; Lighting</b> .....	<b>64</b>
Electronic Stroke Control .....	66
<b>Decals</b> .....	<b>68</b>
<b>How to Order Parts</b> .....	<b>70</b>
<b>Index</b> .....	<b>71</b>

# Parts

---

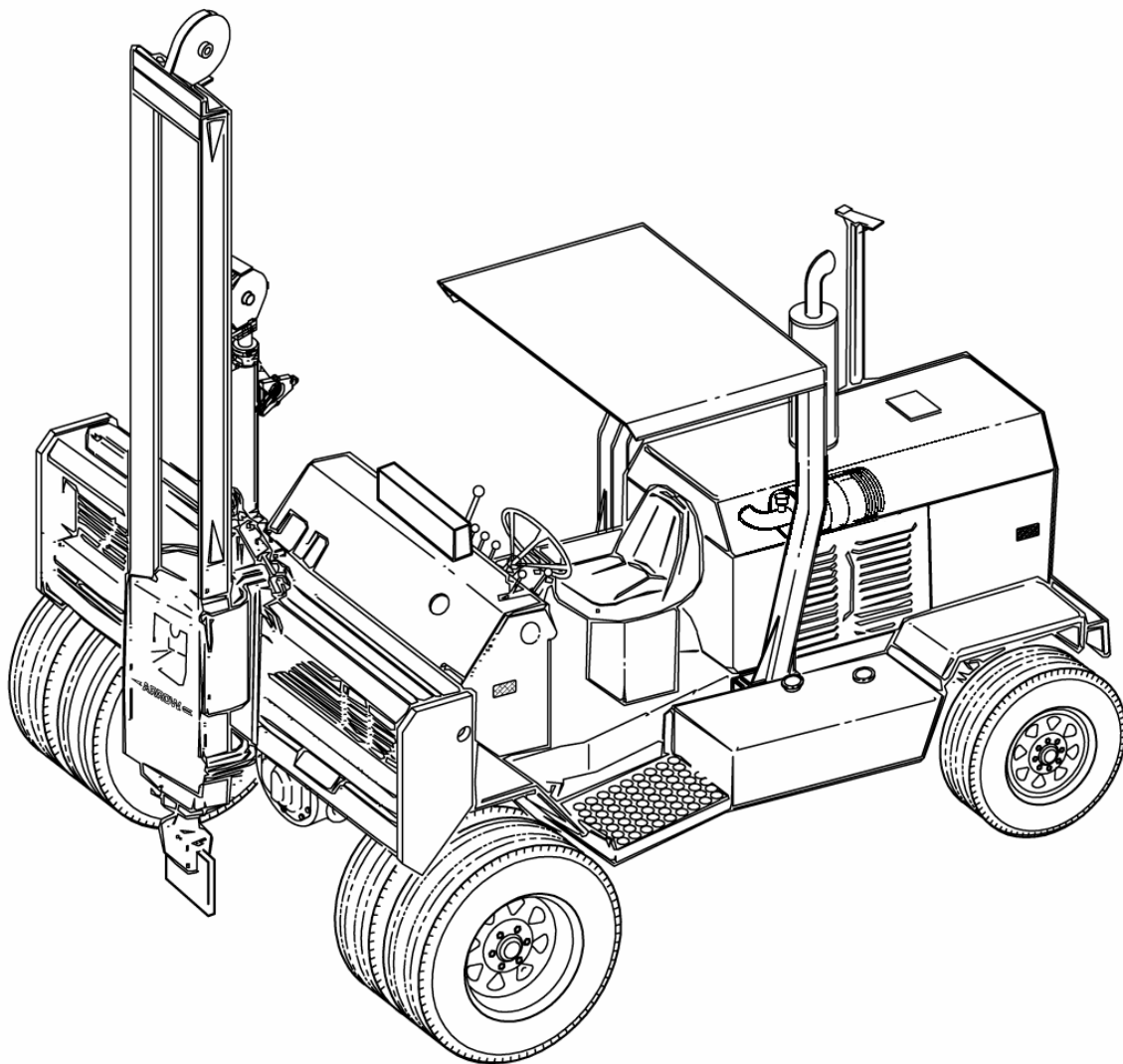
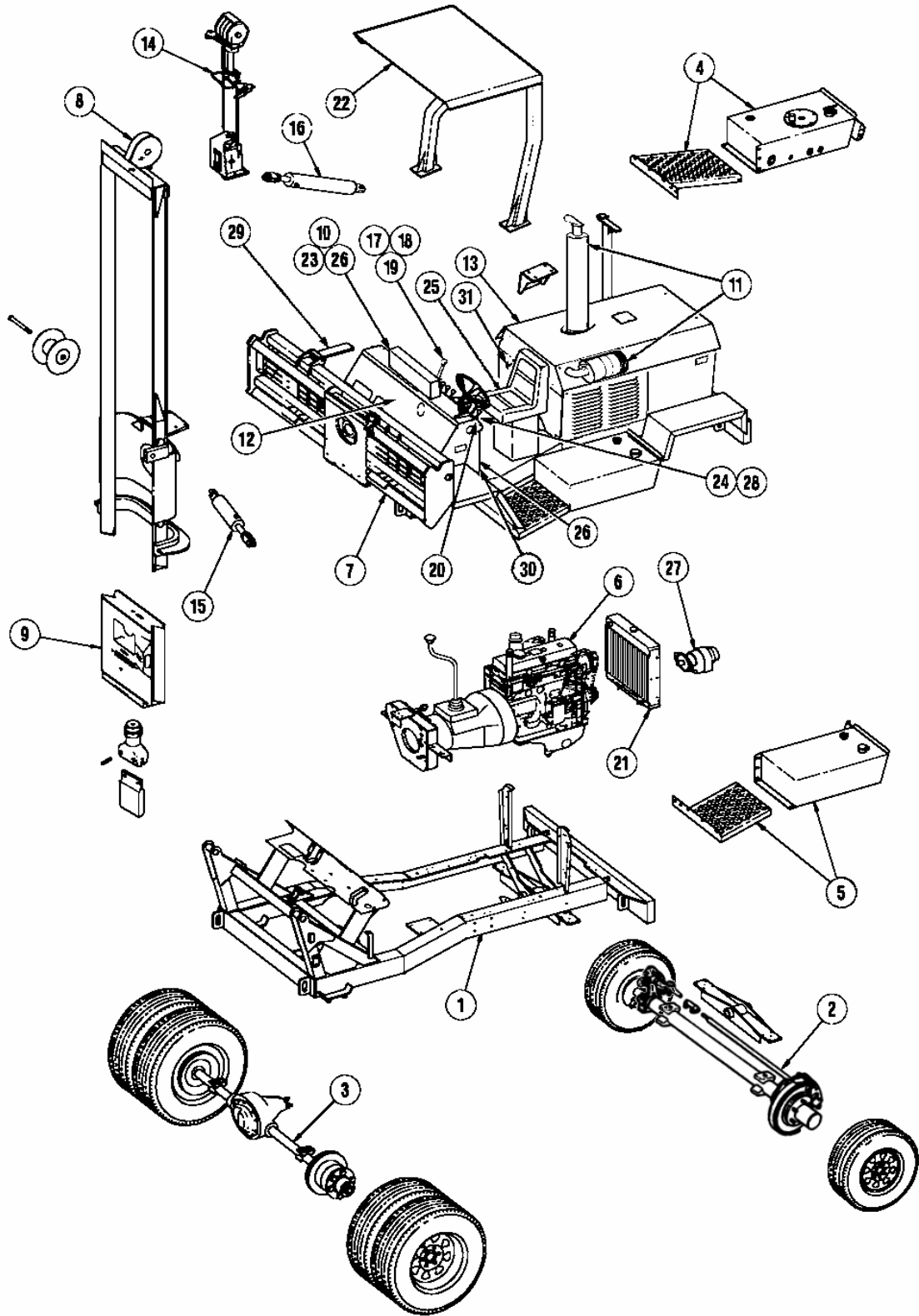
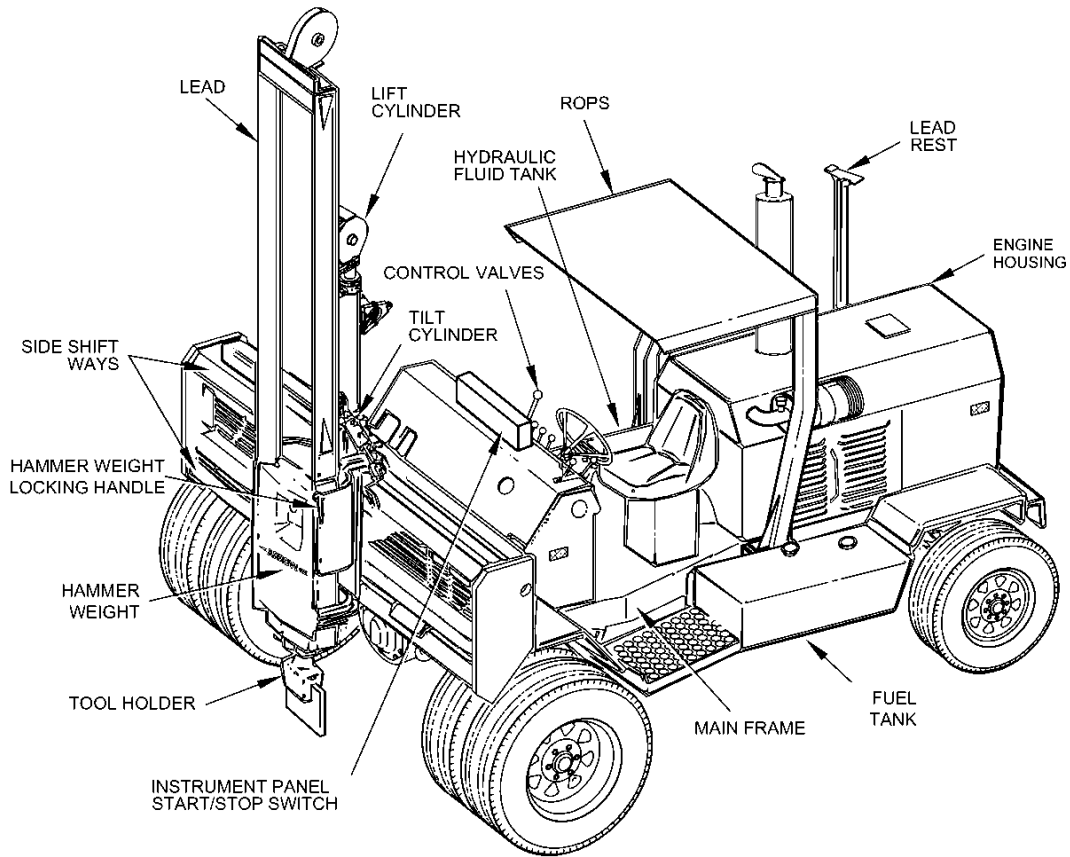


Figure 1  
Hammer Assembly Groups

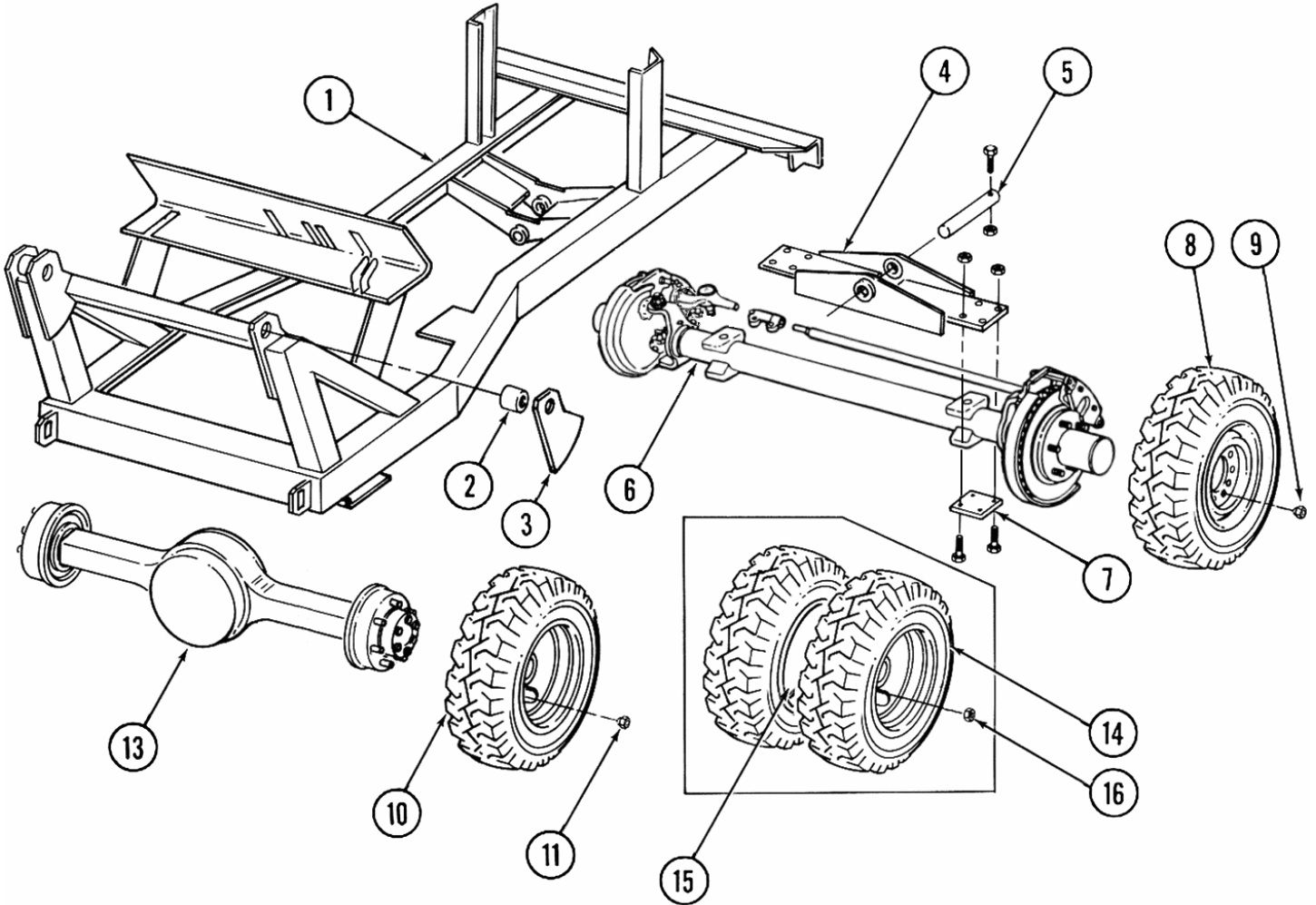


**Figure 2  
Hammer Assembly Groups - Continued**



Key No.	Part No.	Qty.	Description	Comments
1	*****	1	Chassis and Wheels	See Fig. 3 Page 4
2	*****	1	Spicer Steering Axle	See Fig. 4 Page 6
3	*****	1	Spicer Drive Axle	See Fig. 5 Page 8
4	*****	1	Hydraulic Tank	See Fig. 14 Page 24
	*****	1	Fuel Tank	See Fig. 14 Page 24
5	*****	1	Engine/Transmission (S/N: 6000-6499)	See Fig. 15 Page 26
	*****	1	Engine/Transmission (S/N: 6500 -...)	See Fig. 16 Page 28
6	*****	1	Carriage and Sideshift	See Fig. 18 Page 32
7	*****	1	Lead	See Fig. 20 Page 34
8	*****	1	Hammer Weight	See Fig. 21 Page 35
9	*****	1	Hammer Tool	See Fig. 22 Page 36
10	*****	1	Creeper Gear	See Fig. 23 Page 38
11	*****	1	Creeper Interlock	See Fig. 24 Page 40
12	*****	1	Cover Plates	See Fig. 25 Page 42
13	*****	1	Automatic Cylinder	See Fig. 28 Page 50
14	*****	1	Tilt Cylinder	See Fig. 31 Page 54
15	*****	1	Layback Cylinder	See Fig. 32 Page 55
16	*****	1	Hydraulic Pump	See Fig. 33 Page 56
17	*****	1	Control Valves	See Fig. 34 Page 58
18	*****	1	Hammer Control Valve	See Fig. 35 Page 60
19	*****	1	Creeper Control Valve	See Fig. 36 Page 62
20	*****	1	Radiator (S/N: 6000-6499)	See Fig.15 Page 26
	*****	1	Radiator (S/N: 6500 -...)	See Fig.16 Page 28
21	2000759	1	ROPS	--

Figure 3  
Chassis and Wheels

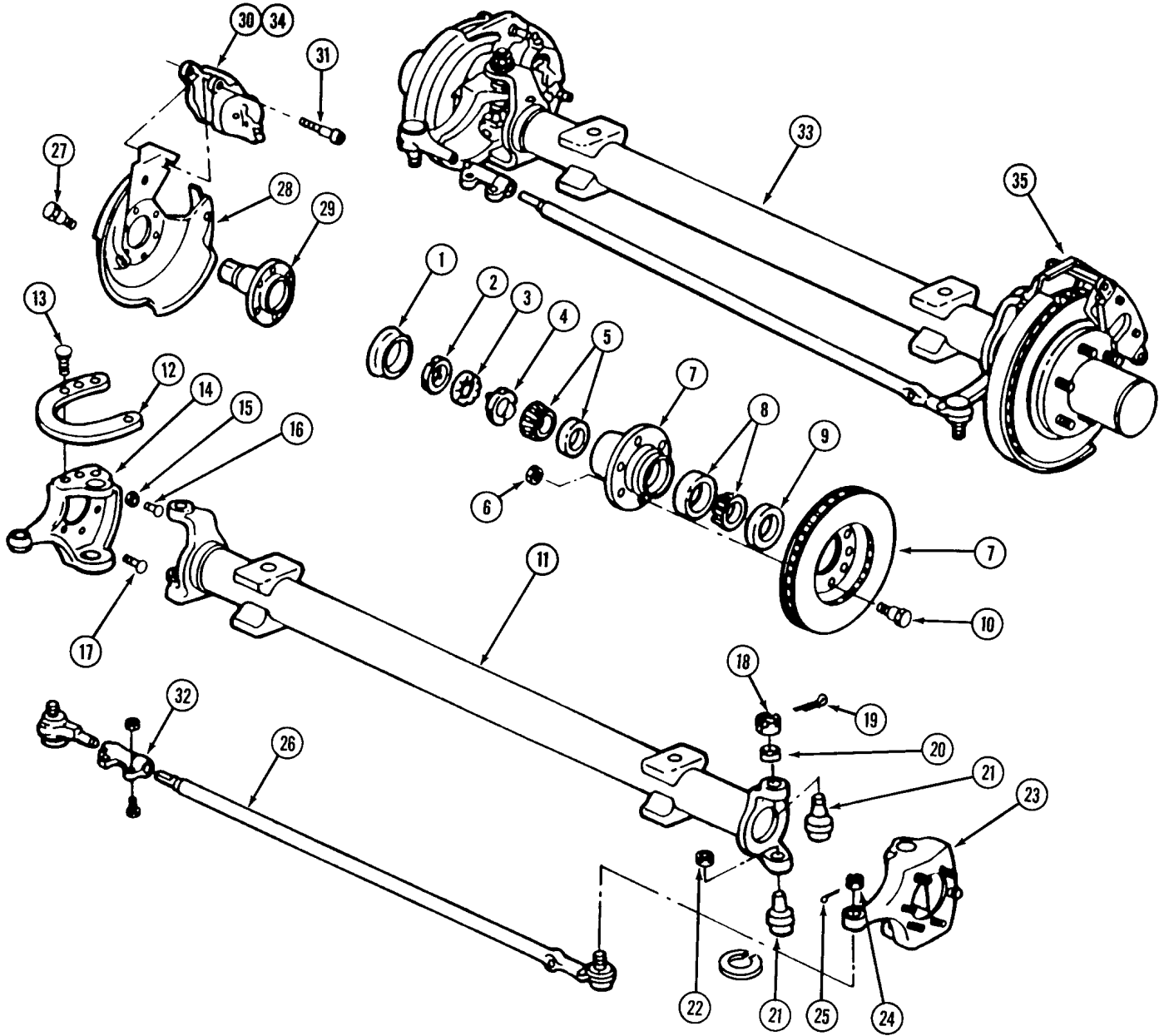


## Chassis and Wheels

Key No.	Part No.	Qty.	Description	Comments
1	*****	1	Frame	
2	3001154	2	Hinge Tube	
3	3001153	4	Support Plate	
4	2000652	1	Axle Pivot	
5	3001876	1	Pivot Pin	
	4000354	1	Grease Fitting	
6	2000654	1	Spicer Steering Axle	(S/N 6000-7099)
	2000974	1	Steering Axle	(S/N 7100-....)
7	3001877	2	Mount Plate	
8	4001796	2	16.5 x 6.75 Wheel	
	*****	2	8.75 x 16.5, LR-D Tire	
	4002381	2	17 x 6, 8-Hole Wheel	(S/N 7100 -7124)
	4002407	2	17 x 6, 8-Hole Wheel	(S/N 7125 -....)
	*****	2	LT235 / 80R17 Tire	(S/N 7100 -....)
9	4001798	16	9/16" Lug Nut	
	4001807	16	1/2" Lug Nut	(S/N 6000-7099)
	5000859	16	Lug Nut & Washer	(S/N 7100 -....)
10	4001984	2	16.5 x 9.75, 5-Hole Wheel	1992 - 94
	4001662	2	16.5 x 9.75, 6-Hole Wheel	1994 - 97
	*****	2	12 x 16.5, LR-E Tire	
11	4001664	6	R.H. Lug Nut	(10) Req'd. 1992 - 94
	4001665	6	L.H. Lug Nut	(0) Req'd. 1992 - 94
13	2000755	1	Spicer Drive Axle	1992 - 94
	2000773	1	Spicer Drive Axle (Disc Brakes)	1994 - 97
	2000822	1	Spicer Drive Axle (Disc Brakes)	1997-2012
	2000967	1	Drive Axle	(S/N 7100 - 7124)
	2000984	1	Drive Axle	(S/N 7125 - ....)
14	4001985	4	19.5 x 6, 5-Hole Wheel	
	4002126	4	19.5 x 6, 6-Hole Wheel	
	*****	4	8 x 19.5 LR-D Tire	
	4002381	2	17 x 6, 8-Hole Wheel	(S/N 7100 -7124)
	4002407	2	17 x 6, 8-Hole Wheel	(S/N 7125 -....)
	*****	2	LT235 / 80R17 Tire	(S/N 7100 -....)
15	4001692	6	LH Inner Nut (Duals)	(0) Req'd 1992 - 94
	4001693	6	RH Inner Nut (Duals)	(10 ) Req'd. 1992 - 94
16	4001694	6	LH Outer Nut (Duals)	(0) Req'd 1992 - 94
	4001695	6	RH Outer Nut (Duals)	(10 ) Req'd. 1992 - 94
	5000859	16	Lug Nut & Washer	(S/N 7100 -....)



Figure 4  
Spicer Steering Axle  
(S/N 6000 - 7099)



**Spicer Steering Axle  
(S/N 6000 - 7099)**

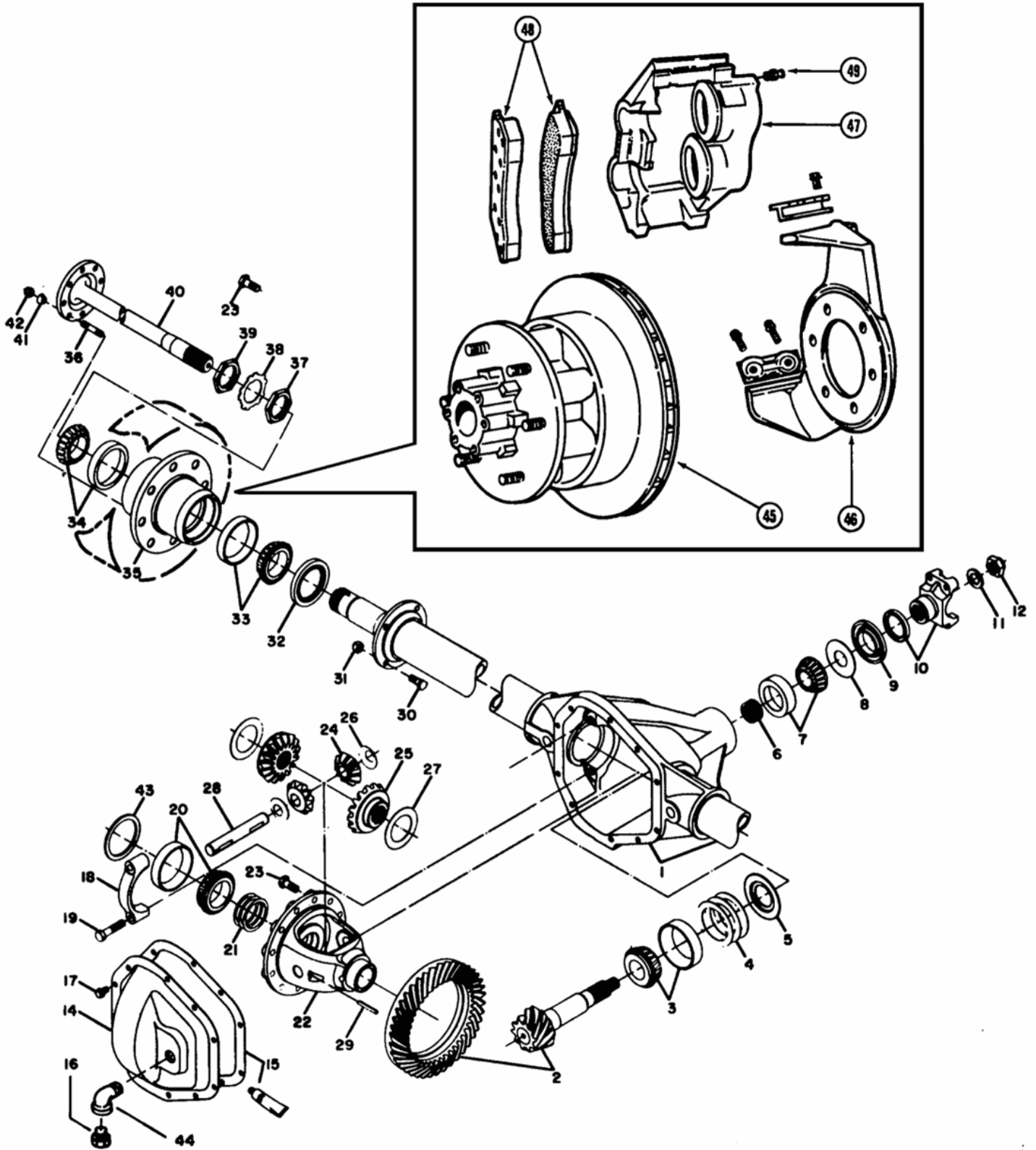
Key No.	Part No.	Qty.	Description	Comments
1	5000560	2	Grease Cap	
2	5000561	2	Spindle Nut	
3	5000562	2	Washer	
4	5000563	2	Nut w/pin	
5	5000564	2	Outer Bearing	
	5000615	2	Outer Bearing Cup	
6	4001807	16	1/2" Lug Nut	
7	5000566	2	Hub & Rotor	
8	5000567	2	Inner Bearing	
	5000617	2	Inner Bearing Cup	
9	5000568	2	Grease Seal	
10	5000569	16	1/2" Wheel Bolt	
11	5000570	1	Axle Tube	
12	3001868	1	Steering Arm	
13	5540499H	3	9/16" - 18 x 2, Gr. 8 Bolt	
	5555208	3	9/16" Lock Washer	
14	5000571	1	L.H. Knuckle (Includes Items 17-22)	
15	5000572	2	3/8" - 24 Jam Nut	
16	5000573	2	Stop Bolt	
17	5000574	12	Flange Bolt	
18	5000575	2	Slotted Nut	
19	5000576	2	1/8" x 1-1/2" Cotter Pin	
20	5000577	2	Adjusting Ring	
21	5000578	2	Socket Kit (Includes Items 18-20 & 22)	
22	5000579	2	Lower Nut	
23	5000580	1	R.H. Knuckle (Includes Items 17-22)	
24	5000581	2	Slotted Nut	
25	5000582	2	3/32" x 1" Cotter Pin	
26	5000583	1	Tie Rod w/ends, sleeve, nut	
	5000769	1	Tie Rod End	
27	5000584	12	Lock Nut	
28	5000585	1	L.H. Mounting Plate	
	5000586	1	R.H. Mounting Plate	
29	5000587	2	Spindle	
30	5000772K	1	R.H. Caliper	Thru S/N: 6214
	5000773K	1	L.H. Caliper	Thru S/N: 6214
	5000629	1	Brake Pad Set	
	5000630	2	Piston Seals	
31	5000590	4	Mounting Bolt	Thru S/N: 6214
	5000771	4	Mounting Bolt	S/N: 6215 - 7099
32	5000634	1	Adjusting Sleeve	
33	2000654	1	Spicer Steering Axle	
34	5000773	1	L.H. Caliper Assembly	S/N: 6215 - 7099
35	5000772	1	R.H. Caliper Assembly	S/N: 6215 - 7099



**Steering Axle  
(S/N 7100 - . . . .)**

<b>Key No.</b>	<b>Part No.</b>	<b>Qty.</b>	<b>Description</b>	<b>Comments</b>
1	5000861	2	Grease Cap	
	5527070SS	4	1/4-20 x 1 Socket Cap Screw	
2	5000862	2	Spindle Nut	
3	5000863	2	Washer	
4	4750179	2	Rotor	
5	5000865	2	Outer Bearing	
	5000866	2	Outer Bearing Cup	
6	5000859	16	9/16" Lug Nut & Washer	
7	5000864	2	Hub	
8	5000869	2	Inner Bearing	
	5000870	2	Inner Bearing Cup	
9	5000871	2	Grease Seal	
10	5000872	16	9/16" Wheel Stud	
11	5000873	1	Wheel Spacer	
12	3002643	1	Steering Arm	
13	5540499H	4	9/16" - 18 x 2, Gr. 8 Bolt	
	5555208	4	9/16" Lock Washer	
14	5000874	1	L.H. Knuckle (Includes Items 17-22)	
15	5000885	1	R.H. Tie Rod End	
16	5000895	1	L.H. Tie Rod End	
17	5000875	12	Flange Bolt	
18	5000876	2	Slotted Nut, Upper	
19	5556570	2	Cotter Pin	
20	5000878	2	Adjusting Ring	
21	5000879	2	Upper & Lower Ball Joint Kit	
22	5000880	2	Lower Nut	
23	5000881	1	R.H. Knuckle (Includes Items 17-22)	
24	5000882	2	Slotted Nut	
25	5556536	2	Cotter Pin	
26	5000884	1	Tie Rod, 48.75"	
27	5551717	10	1/2-20 Lock Nut	
	5555258	10	1/2" SAE Flatwasher	
28	5000887	1	L.H. Mounting Plate	
	5000888	1	R.H. Mounting Plate	
29	5000889	2	Spindle	
30	5000890	1	R.H. Caliper	
	5000891	1	L.H. Caliper	
	5000892	1	Brake Pad Set	
31	5000894	2	Mounting Bolt Kit	
32	4001172	2	Tie Rod Clamp	
33	2000974	1	Steering Axle	

Figure 5  
Spicer Drive Axle  
(S/N: 6000 - 6489)



## Spicer Drive Axle (S/N: 6000 - 6489)

Key No.	Part No.	Qty.	Description	Comments
1	5000706	1	Axle Housing	Includes # 18 & 19
2	5000705	1	Ring Gear & Pinion Kit	Includes # 3, 5, 7, 8, 9, 12 & 23
3	5000707	1	Inner Pinion Bearing & Cup	
4	*****		Pinion Shim	Order Kit 5000708
5	5000709	1	Pinion Bearing Baffle	
6	*****		Pinion Shim	Order Kit 5000708
7	5000710	1	Outer Pinion Bearing & Cup	
8	5000711	1	Slinger	
9	5000712	1	Oil Seal	
10	4001989	1	End Yoke	
11	5000713	1	Washer	
12	5000714	1	Pinion Nut	
13	5000830	1	Brake Drum	S/N: 6000 - 6209
14	5000715	1	Cover w/plug	
15	*****	Ref.	Permatex® Form-A-Gasket Sealant	
16	4001882	1	½" Plug	
17	5545059	10	Cover Bolt	
18	*****	2	Bearing Cap	
19	5000719	4	Cap Bolt	
20	5000720	1	Differential Bearing & Cup Kit	2 Bearings & 2 Cups
21	*****		Bearing Shim	Order Kit 5000721
22	*****	1	Differential Case	Order Kit 5000722
23	5000723	12	Ring Gear Bolt	Included with Item 2
24	*****	2	Differential Pinion	Order Kit 5000722
25	*****	2	Differential Gear	Order Kit 5000722
26	*****	2	Pinion Thrust Washer	Order Kit 5000722
27	*****	2	Gear Thrust Washer	Order Kit 5000722
28	*****	1	Shaft	Order Kit 5000722
29	5000724	1	Lock Pin	Order Kit 5000722
30	5000725	8	Bolt	
31	5000726	8	Nut	
32	5000727	2	Hub Seal (Drum Brake)	
	5000789	2	Hub Seal (Disc Brake)	S/N 6210 and above
33	5000728	2	Inner Bearing & Cup (Drum Brake)	
	5000790	2	Inner Bearing & Cup (Disc Brake)	
34	5000729	2	Outer Bearing & Cup (Drum Brake)	
	5000791	2	Outer Bearing & Cup (Disc Brake)	
35	5000829	2	Hub (Drum Brake)	S/N: 6000 - 6209
36	5000731	12	Axle Stud	
37	5000732	2	Inner Bearing Nut	
38	5000733	2	Lock Washer	
39	5000734	2	Outer Bearing Nut	
40	5000735	2	Axle Shaft	
41	5000736	12	Bushing	
42	5000822	12	Nut	
43	*****		Bearing Spacer	Order Kit 5000721
44	4001545	1	½" - 90° Street Elbow	
45	5000756	1	R.H. Hub & Rotor	S/N: 6210 and above
	5000757	1	L.H. Hub & Rotor	S/N: 6210 and above
46	5000758	1	R.H. Brake Mounting Plate	S/N: 6210 and above
	5000759	1	L.H. Brake Mounting Plate	S/N: 6210 and above
47	5000760	2	Caliper Assembly	S/N: 6210 and above
48	5000761	1	Brake Pad Set	S/N: 6210 and above
49	4002125	2	Brake Bleeder	S/N: 6210 and above
	5000708	1	Shim Kit	Items 4, 6, 11, 12, 15
	5000721	1	Shim Kit	Items 15, 21, 43
	5000722	1	Case Assembly	Items 15, 20-29, 43

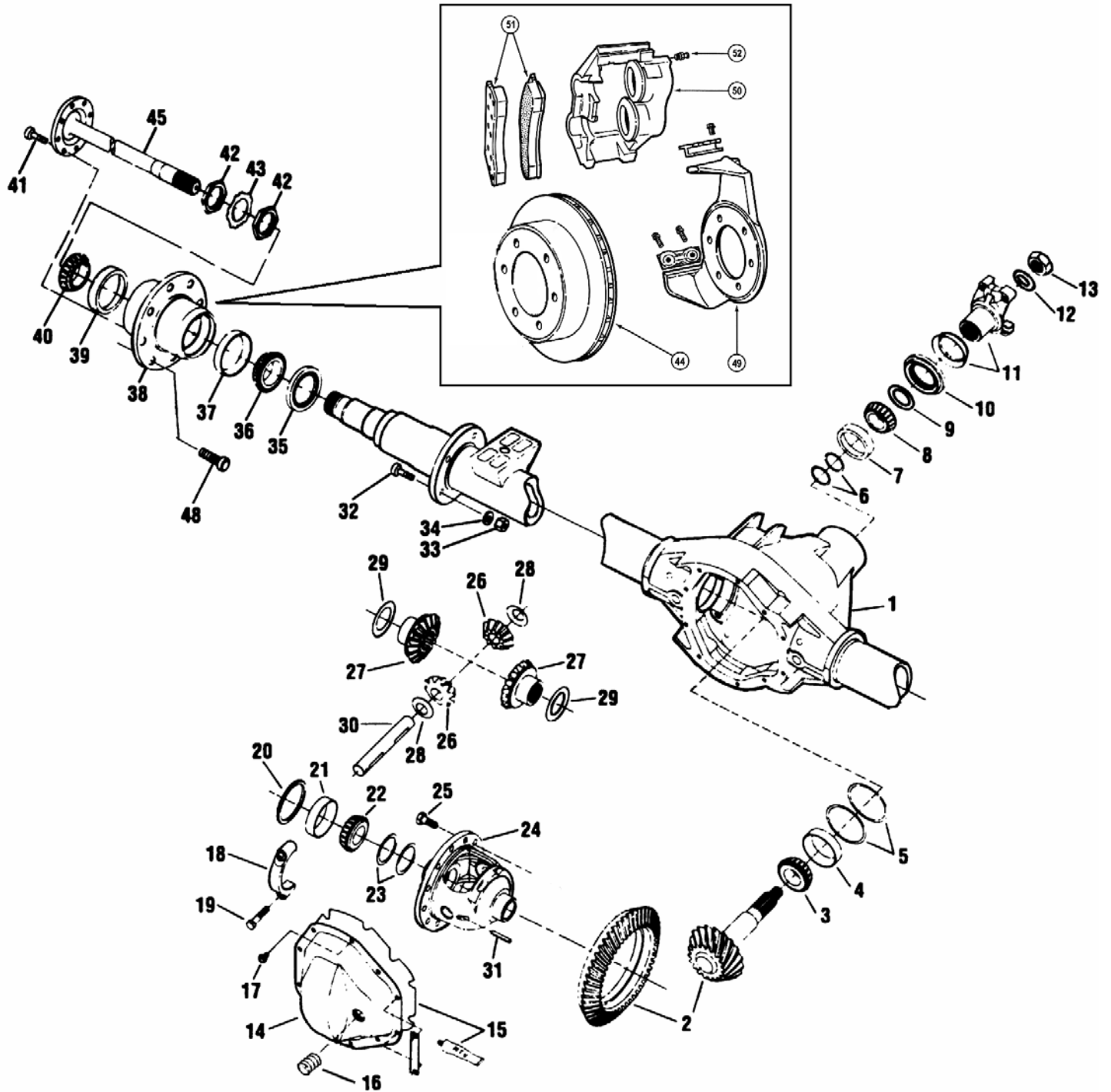


## Spicer Drive Axle (S/N: 6490- 7099)

Key No.	Part No.	Qty.	Description	Comments
1	5000795	1	Axle Housing	Includes # 18 & 19
2	5000796	1	Drive Gear & Pinion Assembly	Includes # 2-10, 12, 13, 5, 23, 25
3	5000797	1	Inner Pinion Bearing Cone	
4	5000798		Inner Pinion Bearing Cup	
5	*****	1	Drive Pinion Shim	Order Kit 5000799
6	*****		Pinion Bearing Shim	Order Kit 5000799
7	5000801	1	Outer Pinion Bearing Cup	
8	5000802	1	Outer Pinion Bearing Cone	
9	5000803	1	Thrust Washer	
10	5000804	1	Pinion Seal	
11	5000805	1	End Yoke Assembly	
12	5000806	1	Washer	
13	5000807	1	Pinion Nut	
14	5000808	1	Gear Carrier Cover Assembly	Includes #15-17
15	*****	Ref.	Permatex® Form-A-Gasket Sealant	
16	4001882	1	½" Cover Plug	
17	5545049	10	Cover Bolt	
18	*****	2	Differential Bearing Cap	
19	5000809	4	Differential Bearing Cap Bolt	
20	5000810	1	Differential Outboard Spacer	
21	5000811	1	Differential Bearing Cup	
22	5000812	1	Differential Bearing Cone	
23	*****	1	Differential Bearing Shim	Order Kit 5000800
24	*****	1	Differential Case	Order Kit 5000813
25	5000814	12	Drive Gear Bolt	
26	*****	2	Differential Pinion	Order Kit 5000815
27	*****	2	Differential Gear	Order Kit 5000815
28	*****	2	Differential Pinion Thrust Washer	Order Kit 5000815
29	*****	2	Differential Gear Thrust Washer	Order Kit 5000815
30	*****	1	Differential Shaft	Order Kit 5000815
31	5000816	1	Differential Shaft Lock	Order Kit 5000815
32	5000817	8	Brake Mounting Bolt	
33	5000818	8	Brake Mounting Nut	
34	5000819	8	Brake Mounting Washer	
35	5000789	2	Hub Seal	
36	5000790	2	Inner Wheel Bearing Cone & Cup	
37	*****	2	Inner Wheel Bearing Cup	
38	5000756	1	R.H. Hub & Rotor	
	5000757	1	L.H. Hub & Rotor	
39	*****	2	Outer Wheel Bearing Cup	
40	5000791	2	Outer Wheel Bearing Cone & Cup	
41	5000731	12	Axle Shaft Stud	
42	5000732	2	Inner Spindle Nut	
43	5000733	2	Spindle Lock Washer	
44	5000734	2	Outer Spindle Nut	
45	5000735	2	Axle Shaft	
	5000831	2	Axle Gasket	
46	5000736	12	Stud Adapter	
47	5000822	12	Nut	
48	5000824	6	L.H. Wheel Stud	
	5000825	6	R.H. Wheel Stud	
49	5000758	1	R.H. Brake Mounting Plate	
	5000759	1	L.H. Brake Mounting Plate	
50	5000760	2	Caliper Assembly	
51	5000761	-	Brake Pad Set	
52	4002125	2	Brake Bleeder	
	5000799	1	Pinion & Bearing Shim Kit	Items 5, 6, 12, 13, 15
	5000800	1	Differential Shim Kit	Items 15, 20, 23
	5000813	1	Differential Case Assembly	Items 15, 21-31
	5000815	1	Differential Parts	Items 15, 25-31



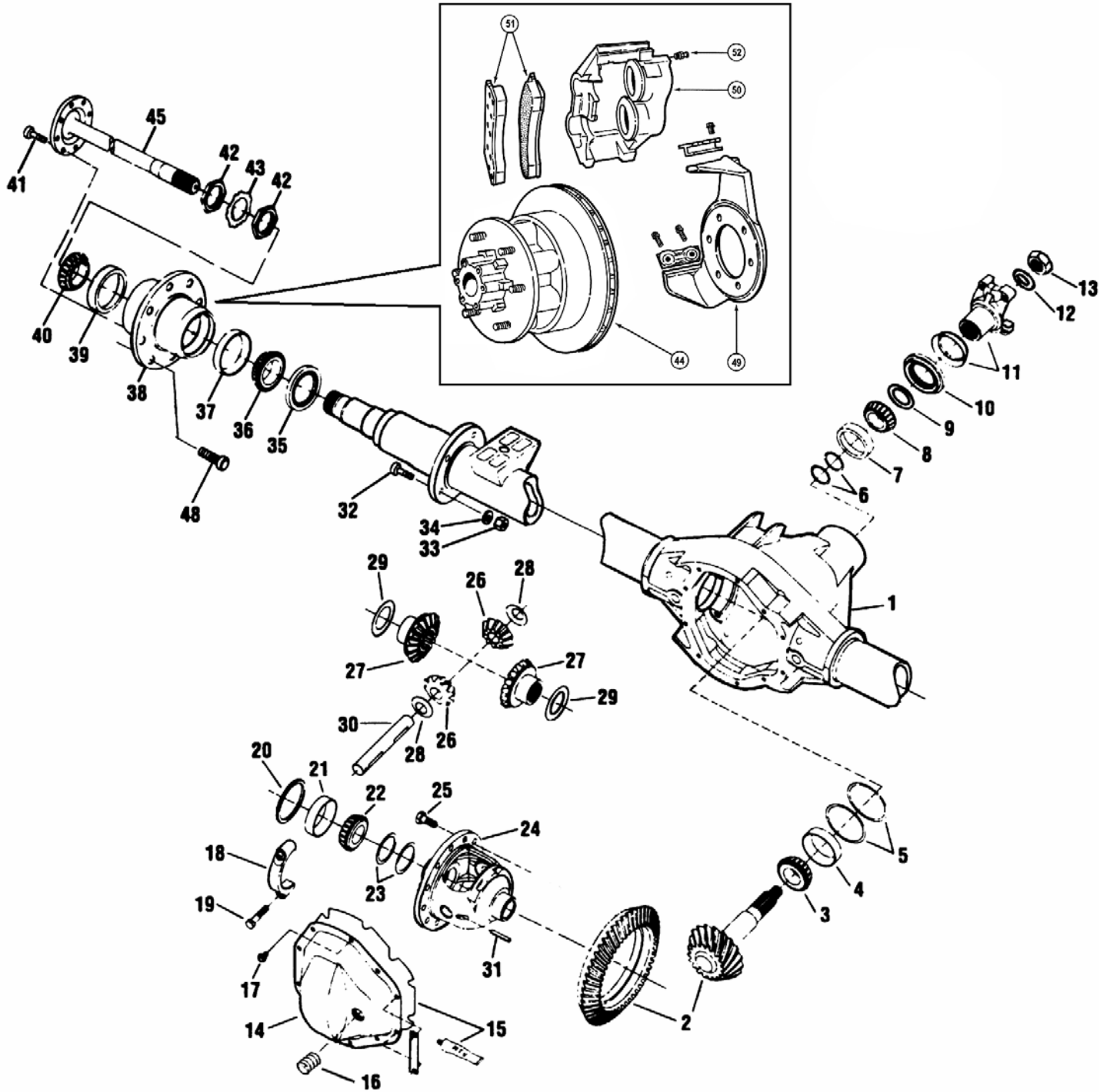
Figure 6a  
2000967 AAM Drive Axle  
(S/N: 7100-7124)



## 2000967 AAM Drive Axle (S/N: 7100- 7124)

Key No.	Part No.	Qty.	Description	Comments
1		1	Axle Housing	
2	5000900	1	Drive Gear & Pinion Assembly	Includes # 2-10, 12, 13, 5, 23, 25
3	5000901	1	Inner Pinion Bearing Cone	
4	5000902		Inner Pinion Bearing Cup	
5	*****	1	Drive Pinion Shim	Order Kit 5000942
6	*****		Pinion Bearing Shim	Order Kit 5000942
7	5000903	1	Outer Pinion Bearing Cup	
8	5000904	1	Outer Pinion Bearing Cone	
9	5000905	1	Thrust Washer	
10	5000906	1	Pinion Seal	
11	5000907	1	End Yoke Assembly	
12	5000908	1	Washer	
13	5000909	1	Pinion Nut	
14	5000910	1	Gear Carrier Cover Assembly	Includes #15-17
15	*****	Ref.	Permatex® Form-A-Gasket Sealant	
16	5000911	1	Cover Plug	
17	5000912	10	Cover Bolt	
18	*****	2	Differential Bearing Cap	
19	5000913	4	Differential Bearing Cap Bolt	
20	5000914	1	Differential Outboard Spacer	
21	5000915	1	Differential Bearing Cup	
22	5000916	1	Differential Bearing Cone	
23	*****	1	Differential Bearing Shim	Order Kit 5000943
24	*****	1	Differential Case	Order Kit 5000944
25	5000917	12	Drive Gear Bolt	
26	*****	2	Differential Pinion	Order Kit 5000945
27	*****	2	Differential Gear	Order Kit 5000945
28	*****	2	Differential Pinion Thrust Washer	Order Kit 5000945
29	*****	2	Differential Gear Thrust Washer	Order Kit 5000945
30	*****	1	Differential Shaft	Order Kit 5000945
31	5000918	1	Differential Shaft Lock	Order Kit 5000945
32	5000919	8	Brake Mounting Bolt	
33	5000920	8	Brake Mounting Nut	
34	5000921	8	Brake Mounting Washer	
35	5000922	2	Hub Seal	
36	5000923	2	Inner Wheel Bearing Cone & Cup	
37	*****	2	Inner Wheel Bearing Cup	
38	5000924	2	Hub	
39	*****	2	Outer Wheel Bearing Cup	
40	5000926	2	Outer Wheel Bearing Cone & Cup	
41	5000927	12	Axle Shaft Stud	
42	5000928	4	Spindle Nut	
43	5000929	2	Spindle Lock Washer	
44	5000925	2	Brake Rotor	
45	5000931	2	Axle Shaft	
	5000932	2	Axle Gasket	
46	5000933	12	Stud Adapter	
47	5000034	12	Nut	
48	5000936	16	Wheel Stud	
49	5000937	1	R.H. Brake Mounting Plate	
	5000938	1	L.H. Brake Mounting Plate	
50	5000939	1	Caliper Assembly, R.H.	
	5000941	1	Caliper Assembly, L.H.	
51	5000940	1	Brake Pad Set	
52	4002125	2	Brake Bleeder	
	5000942	1	Pinion & Bearing Shim Kit	Items 5, 6, 12, 13, 15
	5000943	1	Differential Shim Kit	Items 15, 20, 23
	5000944	1	Differential Case Assembly	Items 15, 21-31
	5000945	1	Differential Parts	Items 15, 25-31

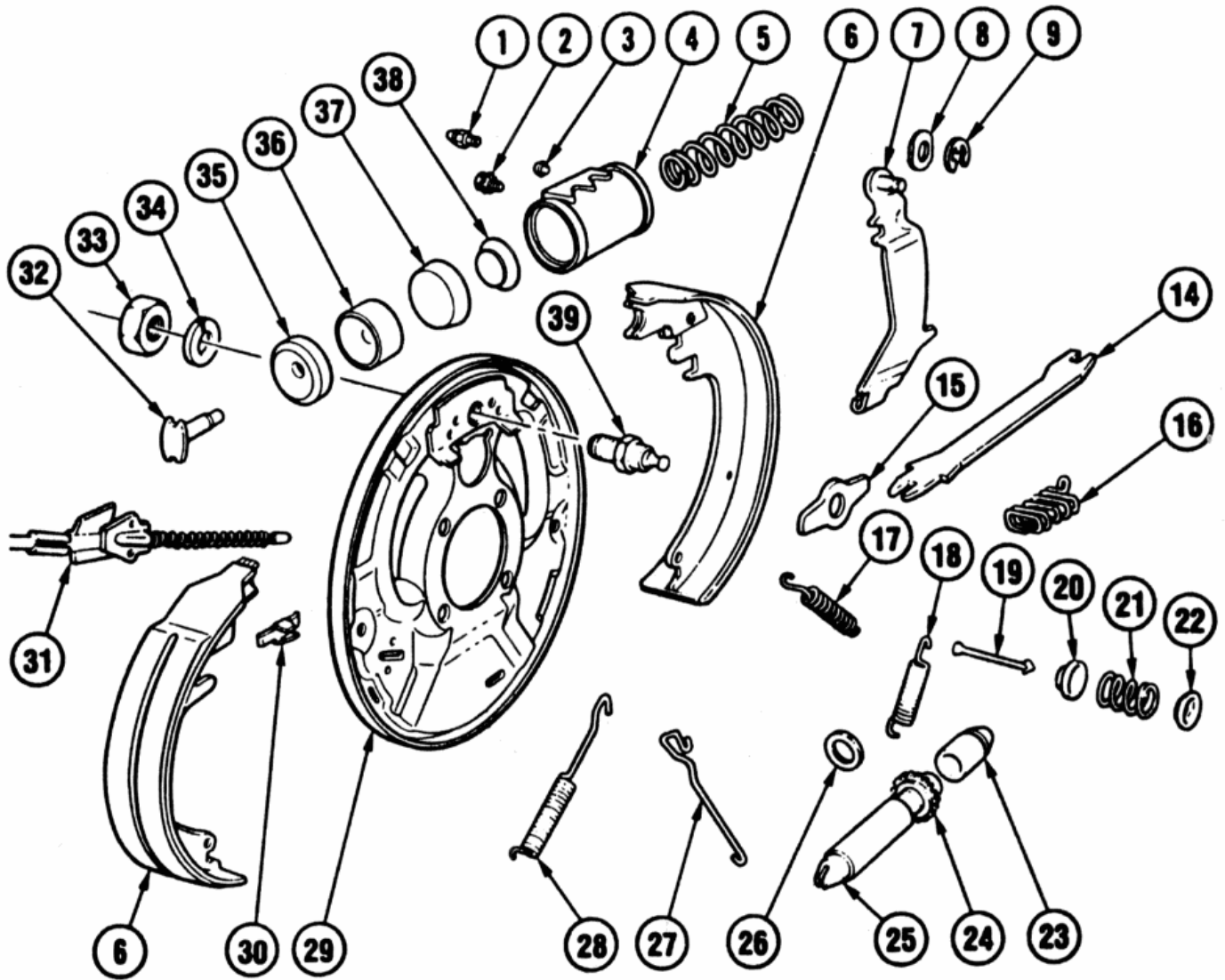
Figure 6b  
2000984 Drive Axle  
(S/N: 7125- . . . .)



## 2000984 Drive Axle (S/N: 7125 - . . . .)

Key No.	Part No.	Qty.	Description	Comments
1	*****	1	Axle Housing	
2	5000946	1	Drive Gear & Pinion Assembly	Includes # 2-10, 12, 13, 15, 23, 25
3	5000797	1	Inner Pinion Bearing Cone	
4	5000798		Inner Pinion Bearing Cup	
5	*****	1	Drive Pinion Shim	Order Kit 5000947
6	*****		Pinion Bearing Shim	Order Kit 5000947
7	5000801	1	Outer Pinion Bearing Cup	
8	5000802	1	Outer Pinion Bearing Cone	
9	5000803	1	Thrust Washer	
10	5000804	1	Pinion Seal	
11	5000805	1	End Yoke Assembly	
12	5000806	1	Washer	
13	5000807	1	Pinion Nut	
14	*****	1	Gear Carrier Cover Assembly	Includes #15-17
15	*****	Ref.	Permatex® Form-A-Gasket Sealant	
16	4001882	1	½" Cover Plug	
17	5545049	10	Cover Bolt	
18	*****	2	Differential Bearing Cap	
19	5000809	4	Differential Bearing Cap Bolt	
20	5000810	1	Differential Outboard Spacer	Order Kit 5000966
21	5000811	1	Differential Bearing Cup	
22	5000812	1	Differential Bearing Cone	
23	*****	1	Differential Bearing Shim	Order Kit 5000966
24	*****	1	Differential Case	Order Kit 5000948
25	5000814	12	Drive Gear Bolt	
26	*****	2	Differential Pinion	Order Kit 5000967
27	*****	2	Differential Gear	Order Kit 5000967
28	*****	2	Differential Pinion Thrust Washer	Order Kit 5000967
29	*****	2	Differential Gear Thrust Washer	Order Kit 5000967
30	*****	1	Differential Shaft	Order Kit 5000967
31	5000816	1	Differential Shaft Lock	Order Kit 5000967
32	5000817	8	Brake Mounting Bolt	
33	5000818	8	Brake Mounting Nut	
34	5000819	8	Brake Mounting Washer	
35	5000955	2	Hub Seal	
36	5000951	2	Inner Wheel Bearing Cone	
37	5000953	2	Inner Wheel Bearing Cup	
38	5000949	2	Wheel Hub	
39	5000954	2	Outer Wheel Bearing Cup	
40	5000952	2	Outer Wheel Bearing Cone	
41	5000959	24	Axle Shaft Cap Screw	
42	5000957	4	Inner Spindle Nut	
43	5000958	2	Spindle Lock Washer	
44	5000963	2	Rotor	
45	5000950	2	Axle Shaft	
	5000960	2	O-Ring	
48	5000956	16	Wheel Stud	
49	*****	1	R.H. Brake Mounting Plate	
	*****	1	L.H. Brake Mounting Plate	
50	5000961	1	L.H. Caliper	
	5000962	1	R.H. Caliper	
51	5000964	1	Brake Pad Set	
	5000965	1	Hardware Kit	
52	4002125	2	Brake Bleeder	
	5000947	1	Carrier Shim Kit	Items 5, 6
	5000966	1	Differential Shim Kit	Items 20, 23
	5000948	1	Differential Case Assembly	Items 21-24
	5000967	1	Differential Parts Kit	Items 25-31

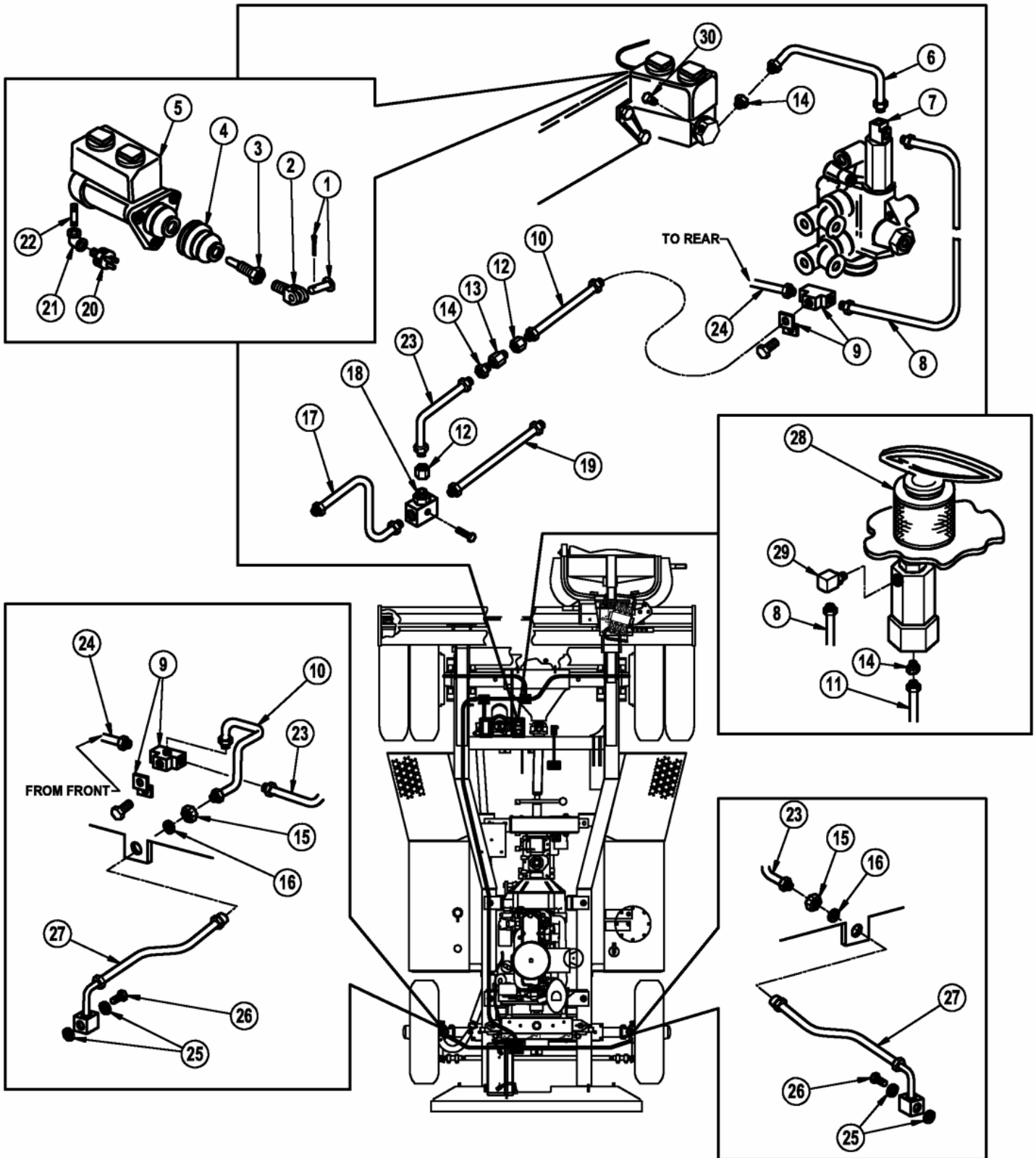
Figure 7  
Spicer Drive Axle Brakes  
(S/N: 6000 - 6209)



Spicer Drive Axle Brakes  
(S/N: 6000 - 6209)

Key No.	Part No.	Qty.	Description	Comments
1	5000669	2	Bleeder Valve	
2	*****	4	Bolt & Lock Washer	
4	5000671	2	Wheel Cylinder	
	5000672	2	Cylinder Repair Kit	Item 5, 35, 37, 38
5	*****	2	Spring	Order Kit 5000672
6	5000673	1	Brake Shoe Set	
7	5000674	1	L.H. Parking Brake Lever	
	5000675	1	R.H. Parking Brake Lever	
8	5000676	2	Spring Washer	
9	5000677	2	Retaining Ring	
14	5000682	2	Lever Strut	
15	5000683	2	Guide Plate	
16	*****	2	Spring	Order Kit 5000684
17	5000687	4	Return Spring	
18	5000685	2	Adjusting Screw Spring	
19	*****	2	Hold Down Pin	Order Kit 5000688
20	*****	2	Hold Down Cup	Order Kit 5000688
21	*****	2	Hold Down Spring	Order Kit 5000688
22	*****	2	Hold Down Cup	Order Kit 5000688
23	5000689	2	Socket	
24	5000690	1	L.H. Adjusting Screw	
	5000691	1	R.H. Adjusting Screw	
25	5000692	1	L.H. Adjusting Nut	
	5000693	1	R.H. Adjusting Nut	
26	5000694	2	Washer	
28	4002066	2	Spring	
29	5000698	1	L.H. Backing Plate	
	5000699	1	R.H. Backing Plate	
30	5000700	2	Cover	
31	4001998	1	R.H. Parking Brake Cable, 63-1/8"	
	4001999	1	L.H. Parking Brake Cable, 84-1/4"	
32	5000701	2	Push Rod	
33	5000702	2	Anchor Pin Nut	
34	5000703	2	Lock Washer	
35	*****	4	Boot	Order 5000672
36	*****	4	Piston	
37	*****	4	Piston Cup	Order 5000672
38	*****	4	Spring Cup	Order 5000672
39	5000704	2	Anchor Pin	
	5000672	2	Cylinder Repair Kit	Items 5, 35, 37, 38
	5000684	1	Spring Kit	Items 16, 17, 18, 28
	5000688	1	Hold Down Kit	Items 19, 20, 21, 22

Service Brakes Spicer Axles  
(S/N: 6000 - 6209 )

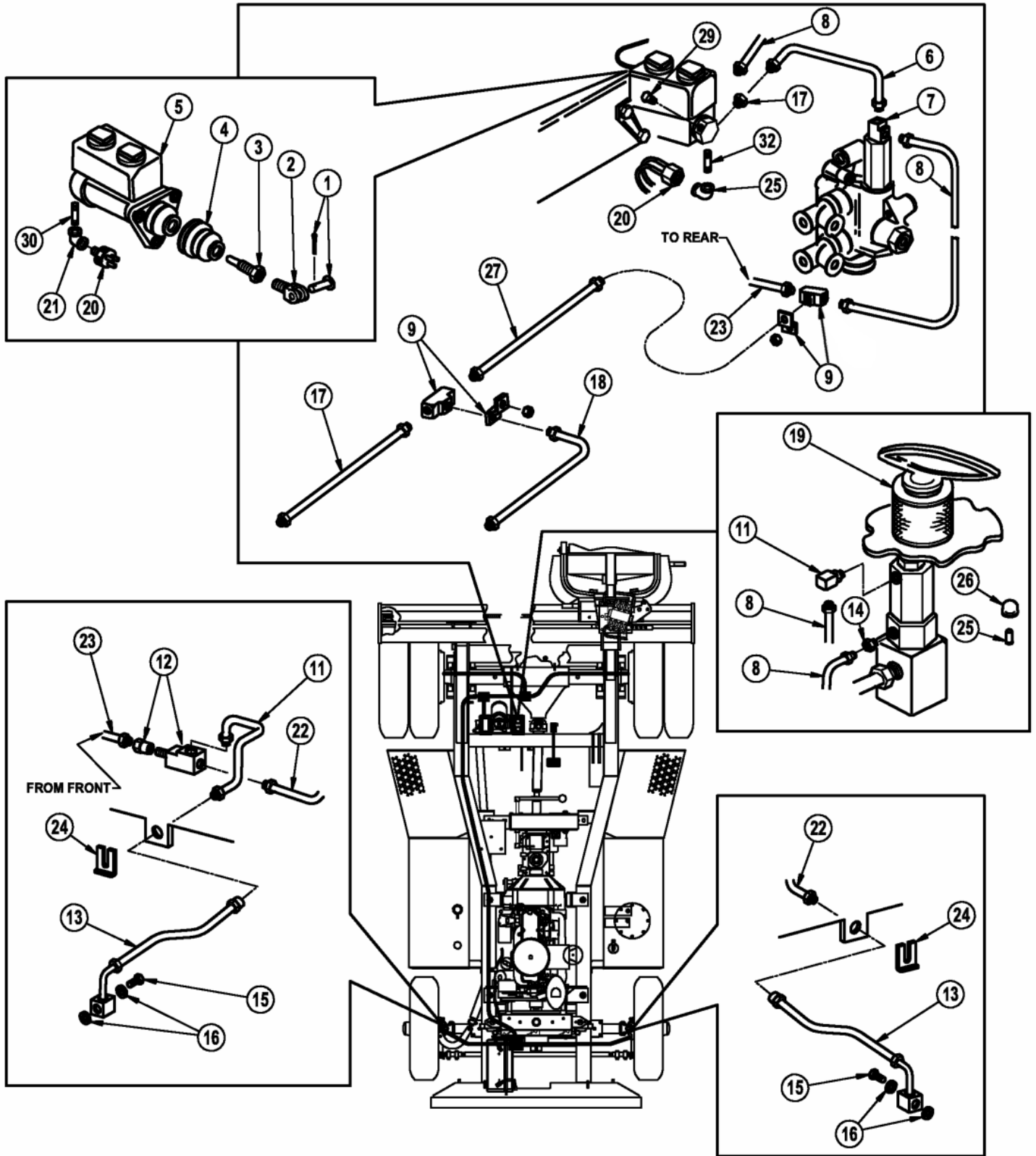


Service Brakes Spicer Axles  
(S/N: 6000 - 6209 )

Key No.	Part No.	Qty.	Description	Comments
1	4000449	1	Clevis Pin	
	5556536	1	3/32 x 1" Cotter Pin	
2	4750074	1	Clevis	
3	4001328	1	Push Rod	
4	4001329	1	Boot	
5	4001899A	1	Master Cylinder w/Boot	
	5000636	1	Repair Kit for 4001899	
	5000643	1	Filler Plug	
	5000644	1	Plug Seal	
	5000646	1	Vented Plug	
6	2000337	2	15" Brake Line	
7	4001200	1	Bypass Valve Tee	
8	2000126	1	24" Brake Line	
9	4001906	2	Tee	
	3002005	2	Tee Bracket	
10	2000125	2	10" Brake Line	
11	2000123	1	22" Brake Line	
12	4001804	2	Adapter	
13	4001800	1	Residual Valve	
14	4001331	1	Adapter	
15	5550619	3	5/8"-16 Jam Nut	
16	5555209	3	5/8" Lockwasher	
17	2000753	1	LH Brake Line	
18	4002068	1	Tee	
19	2000754	1	RH Brake Line	
20	4000810	1	Stop Light Switch	
21	4001875	1	1/8"- 90° Elbow	
22	4001860	1	1/8"- 2" Nipple	
23	2000122	1	28" Brake Line	
24	2000124	1	91" Brake Line	
25	4001803	4	Seal	
26	4001802	2	Brake Hose Bolt	
27	*****	2	Brake Hose	Discontinued & Replaced
	5000772K	1	RH Caliper Kit w/Pads	
	5000773K	1	LH Caliper Kit w/Pads	
28	*****	1	Hydraulic Parking Brake	Optional, Discontinued 1992
	5000551	1	Repair Kit	
29	4000426	1	Elbow	
30	4001881	1	1/8" Hex Pipe Plug	



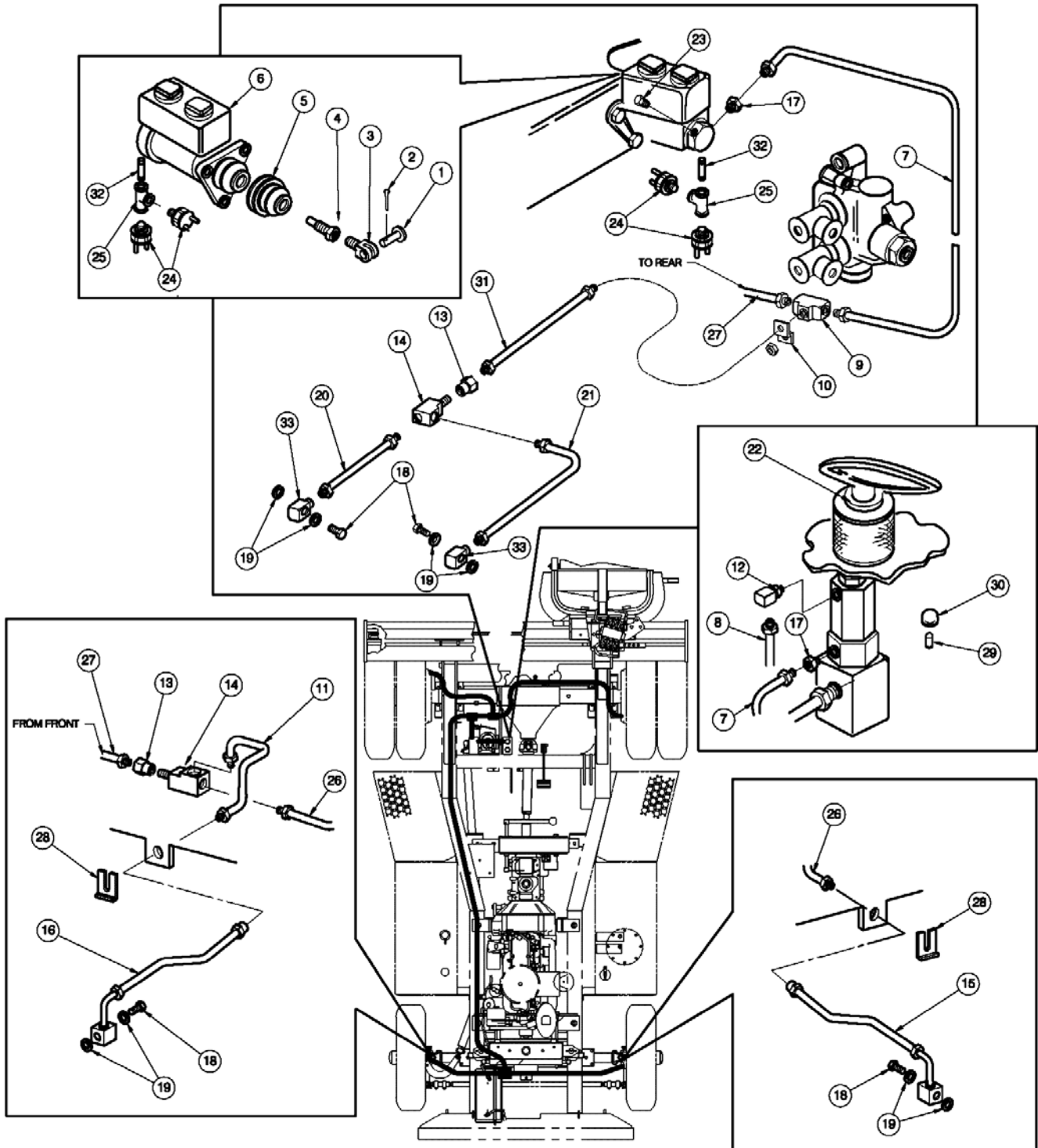
Figure 9  
Service Brakes Spicer Axles (1994 - 2012)  
(S/N: 6210 - 7099)



**Service Brakes Spicer Axles (1994 - 2012)**  
**(S/N: 6210 - 7099)**

Key No.	Part No.	Qty.	Description	Comments
1	4000449	1	Clevis Pin	
	5556536	1	3/32" x 1" Cotter Pin	
2	4750074	1	Clevis	
3	4002122	1	Push Rod	
4	4002123	1	Boot	
5	4002121	1	Master Cylinder	S/N: 6210 - 6309
	4002139	1	Master Cylinder	S/N: 6310 - ...
	5000768	1	Repair Kit for 4002139	
6	2000833	1	20" Brake Line	Used when Hyd. Parking Option is omitted
7	4001200	1	Bypass Valve Tee	
8	2000126	1	24" Brake Line (w / Hyd. Parking Brake, add 2 pieces)	
9	4001906	2	Tee	
	3002005	2	Tee Bracket	
10	2000125	1	10" Brake Line, (1/4" O.D.)	S/N: 6210 - 6214
	2000775	1	10" Brake Line, (3/16" O.D.)	S/N: 6215 - 7099
11	4000426	1	Elbow	
12	4001804	1	Adapter	S/N: 6215 - 7099
	4002068	1	Tee	S/N: 6215 - 7099
	4002076	1	P-Clamp, 5/8 Tube	S/N: 6215 - 7099
13	4002128	1	Brake Hose, R.H.	
	4002129	1	Brake Hose, L.H.	
14	4001331	2	Adapter	
15	4001802	2	Banjo Bolt	
16	4001803	4	Seal	
17	2000771	1	30" Brake Line	
18	2000772	1	51" Brake Line	
19	4002072	1	Hydraulic Parking Brake	Optional
	5000551	1	Repair Kit	
20	4000810	1	Stop Light Switch	
21	4002127	1	1/8 - 90° Elbow	
22	2000122	1	28" Brake Line, (1/4" O.D.)	S/N: 6210 - 6214
	2000776	1	28" Brake Line, (3/16" O.D.)	S/N: 6215 - 7099
23	2000124	1	91" Brake line	
24	4002130	2	Brake Line Clip	S/N: 6215 - ...
25	4001723	1	Lamp	Used w/Hyd. Parking Brake Option S/N: 6215 - ...
26	4001724	1	Red Lens	Used w/Hyd. Parking Brake Option S/N: 6215 - ...
27	2000833	1	20" Brake Line	
28	5550619	2	5/8"-18 Jam Nut	S/N: 6210 - 6214
	5555209	2	5/8" Lockwasher	S/N: 6210 - 6214
29	4001881	1	1/8" Hex Pipe Plug	
30	4001860	1	1/8" x 2" Pipe Nipple	

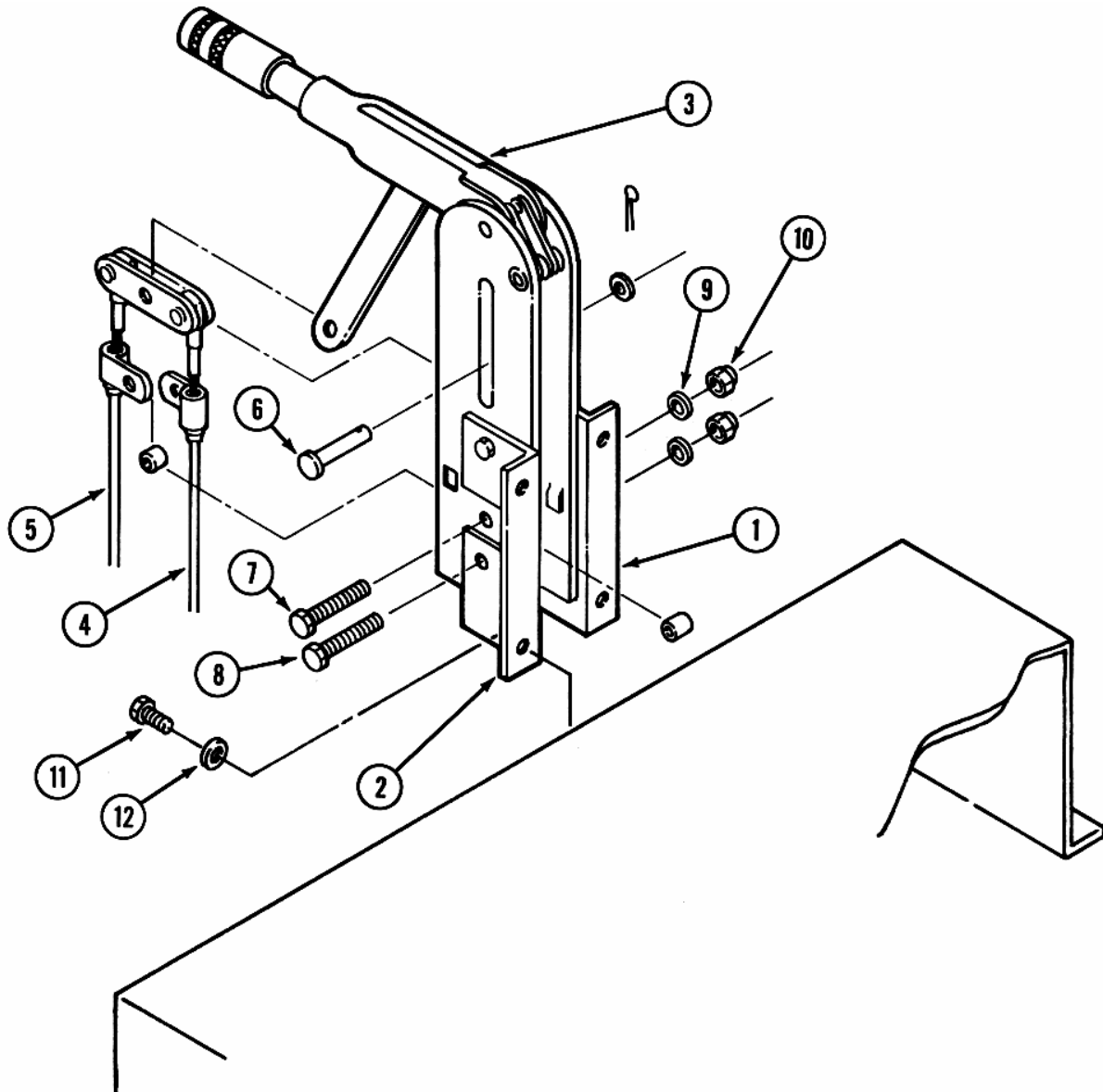
Figure 9a  
Service Brakes Vastech Axles (2013 - ...)  
(S/N: 7100 - ...)



Service Brakes Vastech Axles (2013 - . . . )  
(S/N: 7100 - . . . )

Key No.	Part No.	Qty.	Description	Comments
1	4000449	1	Clevis Pin	
2	5556536	1	3/32" x 1" Cotter Pin	
3	4750074	1	Clevis	
4	4002122	1	Push Rod	
5	4002123	1	Boot	
6	4002139	1	Master Cylinder	
	5000768	1	Repair Kit for 4002139	
7	2000959	1	1/4" x 40" Brake Line	
8	2000126	1	24" Brake Line	
9	4001906	1	Tee	
10	3002005	2	Tee Bracket	
11	2000775	1	10" Brake Line, (3/16" O.D.)	
12	4000426	1	Elbow	
13	4001804	2	Adapter	
14	4002068	2	Tee	
15	4002128	1	Brake Hose, R.H.	
16	4002129	1	Brake Hose, L.H.	
17	4001331	2	Adapter	
18	4002403	4	Banjo Bolt	
19	4002404	8	Seal	
20	2000981	1	3/16" x 30" Brake Line	
21	2000982	1	3/16" x 51" Brake Line	
22	4002072	1	Hydraulic Parking Brake	Optional
	5000551	1	Repair Kit	
23	4001881	1	1/8" Hex Pipe Plug	
24	4000810	1	Stop Light Switch	
25	2001870	1	Tee	
26	2000776	1	3/16"x28"Brake Line (1/4" O.D.)	
27	2000124	1	91" Brake line	
28	4002130	2	Brake Line Clip	
29	4001723	1	Lamp	
30	4001724	1	Red Lens	
31	2000833	1	20" Brake Line	
32	4001860	1	1/8" x 2" Pipe Nipple	
32	4002402	2	3/8" x 24UNF Banjo Union	

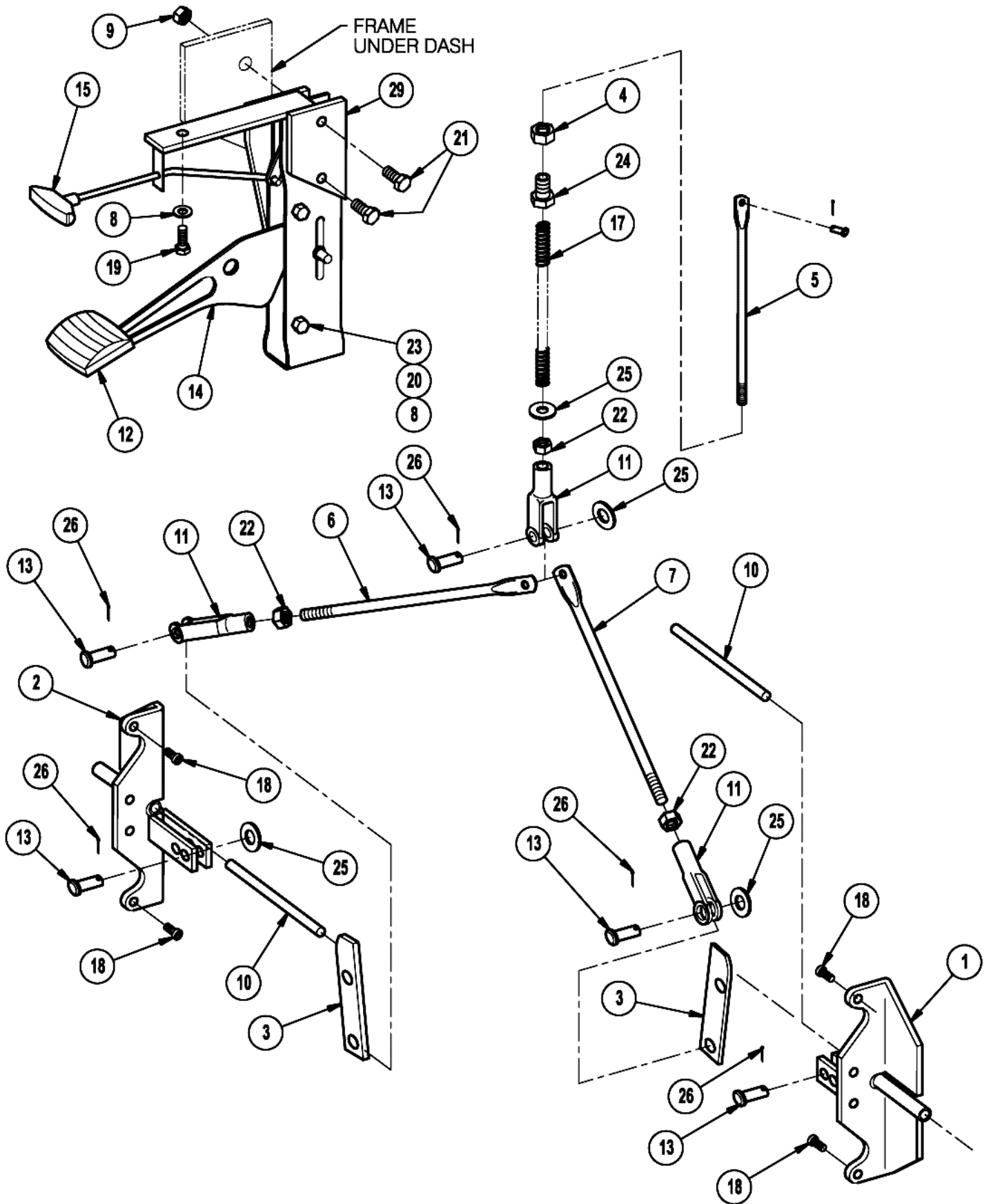
Figure 10  
Parking Brake Spicer Drive Axle (1992 - 93)  
(S/N: 6000 - 6209)



**Parking Brake Spicer Drive Axle (1992 - 93)**  
**(S/N: 6000 - 6209)**

<b>Key No.</b>	<b>Part No.</b>	<b>Qty.</b>	<b>Description</b>	<b>Comments</b>
1	3002128	1	Bracket, R.H.	
2	3002129	1	Bracket, L.H.	
3	4001997	1	Brake Lever Assembly	
4	4001998	1	Brake Cable, R. H.	
5	4001999	1	Brake Cable, L. H.	
6	5000752	1	Pin	
7	5540108	1	5/16"-18 x 1-3/4" Hex Hd. Cap Screw	
8	5540109	2	5/16"-18 x 2" Hex Hd. Cap Screw	
9	5550410	3	5/16" Flatwasher	
10	5555004	3	5/16" Locknut	
11	5540103	4	5/16"-18 x 3/4" Hex Hd. Cap Screw	
12	5555204	4	5/16" Lockwasher	
	3002166		Hand Break Installation Instructions	

Figure 11  
Parking Brake Spicer Drive Axle  
(S/N: 6210 - 7099.)

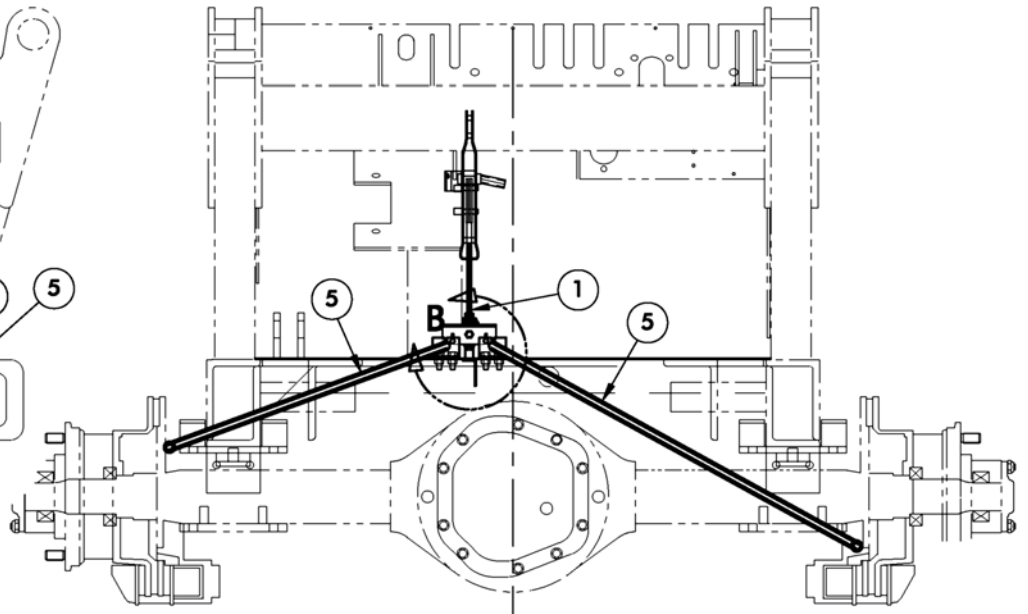
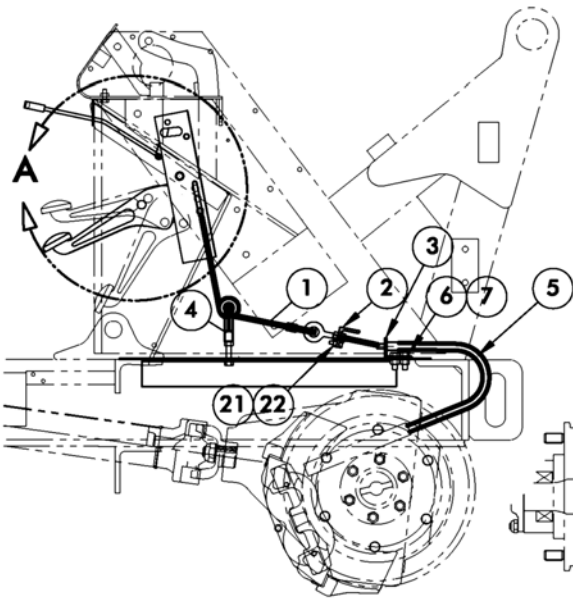
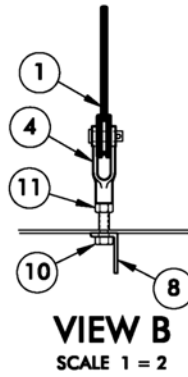
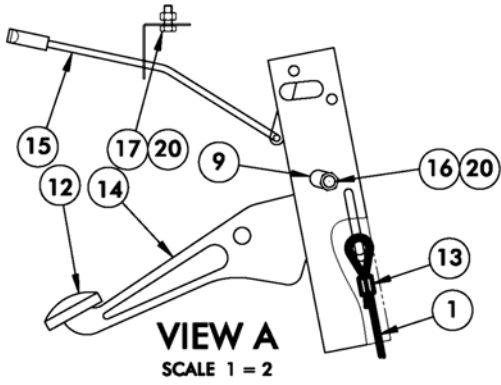


**Parking Brake Spicer Drive Axle  
( S/N: 6210 - 7099)**

Key No.	Part No.	Qty.	Description	Comments
1	2000769	1	Bracket Weldment L.H.	
2	2000770	1	Bracket Weldment R.H.	
3	3002176	2	Lever Plate	
4	5550470J	1	9/16" - 18" ESNA Jam Nut	
5	3002179-1	1	Link Rod, 10.5"	
6	3002179-2	1	Link Rod, 21.0"	S/N: 6210 - 6220
	3002179-4	1	Link Rod, 20.1"	S/N: 6221 - 6599
	3002179-6	1	Link Rod, 20.8"	S/N: 6600 - 7099
7	3002179-3	1	Link Rod, 27.8"	S/N: 6210 - 6220
	3002179-5	1	Link Rod, 26.8"	S/N: 6221 - 6599
	3002179-7	1	Link Rod, 24.8"	S/N: 6600 - 7099
8	5555204	3	5/16" Lockwasher	
9	5550412	2	3/8"-16" Esna Nut	
10	3002184	2	Slide Pin	
11	4000012	3	Clevis, 3/8"-24"	
12	4000838	1	Pedal Pad	
13	4001168	5	Clevis Pin, 3/8" x 1-3/32"	
14	4001814	1	Brake Lever	
15	4001815	1	Release Lever	
16				
17	4002131	1	Spring	
18	5527128	8	5/16"-18 x 3/4" Soc Hd. Cap Screw	
19	5540103	1	5/16"-18 x 3/4" Hex Hd. Cap Screw	
20	5540109	3	5/16"-18 x 2" Hex Hd. Cap Screw	
21	5540205	2	3/8"-16 x 1" Hex Hd. Cap Screw	
22	5550013	3	3/8"-24" Unf Hex Nut	
23	5550410	3	5/16"-18" Esna Nut	
24	3002177	1	Shaft Guide	
25	5555256	6	3/8" SAE Flat Washer	
26	5556536	5	3/32" x 1" Cotter Pin	
27				
28	5540107	1	5/16"-18 x 1-1/2" Hex Hd Cap Screw	
29	2000651	1	Mounting Bracket	S/N: 6600 - . . .
30	4001723	1	#330 Lamp	
31	4001724	1	Red Lens	
32	4001811	1	Lamp Holder	
33	4002143	1	Limit Switch	
34	2000899	1	Switch Bracket	
35	5503068	2	#6-32 x 3/4" Pan Hd. Screw	
36	5503072	2	#6-32 x 1-1/4" Pan Hd. Screw	
37	5550402	4	#6-32 ESNA Nut	



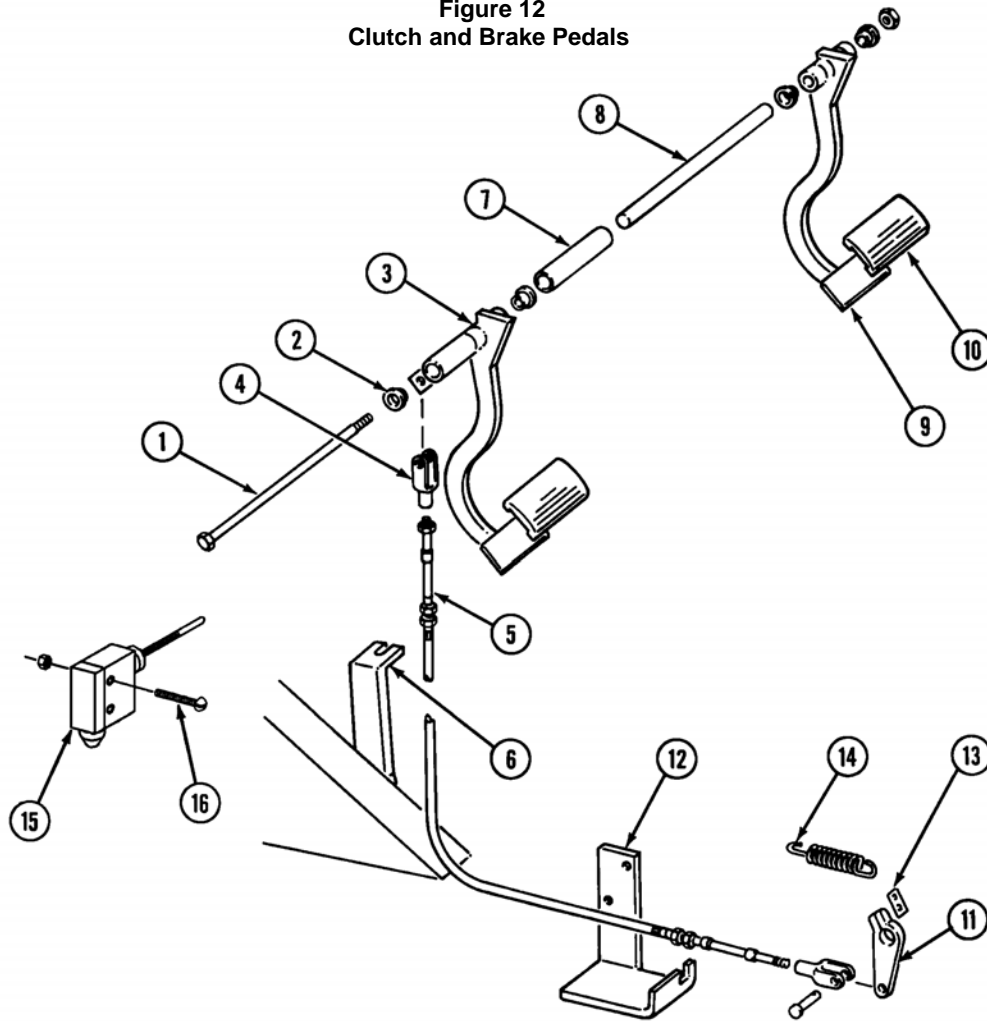
Figure 11a  
Parking Brake Vastech Drive Axle  
( S/N: 7100 - ... )



**Parking Brake Vastech Drive Axle  
( S/N: 7100 - ... )**

<b>Key No.</b>	<b>Part No.</b>	<b>Qty.</b>	<b>Description</b>	<b>Comments</b>
1	2000975	1	Cable /A	
2	3002642	1	Angle	
3	3000844	2	Cable Anchor	
4	2000972	1	Clevis Pulley /A	
5	4002396	2	Parking Brake Cable	
6	5540206	4	3/8"-16 x 1-1/4" Hex Hd. Cap Screw	
7	5550412	4	3/8"-16 Esna Hex Nut	
8	3002641	1	Angle	
9	3002343	1	Spacer Tube	
10	5540263	1	3/8"-24 x 3" Hex Hd. Cap Screw UNF	
11	5550013	1	3/8"-24" UNF Hex Nut	
12	4000838	1	Pedal Pad	
13	4002393	1	1/8" Cable Crimp Clamp	
14	4001814	1	Brake Lever	
15	4001815	1	Release Lever	
16	5540116	1	5/16"-18 x 3-3/4" Hex Hd. Cap Screw	
17	5540103	1	5/16"-18 x 3/4" Hex Hd. Cap Screw	
18	5540108	1	5/16"-18 x 1-3/4" Hex Hd. Cap Screw	
19	5540105	4	5/16"-18 x 1" Hex Hd. Cap Screw	
20	5550410	5	5/16"-18 x 2" Hex Hd. Cap Screw	
21	5540003	2	1/4"-20 x 3/4" Hex Hd. Cap Screw	
22	5550013	3	1/4"-20" Esna Hex Nut	

Figure 12  
Clutch and Brake Pedals



Key No.	Part No.	Qty.	Description	Comments
1	2000409	1	Shaft Bolt	
2	4000777	4	Nylon Bushing	
3	2000401	1	Clutch Lever	
4	4001236	2	Clevis	
	4001282	2	Clevis Pin	
	5556536	2	3/32 x 1" Cotter Pin	
5	4001392	1	Clutch Cable	
6	3001389	1	Cable Bracket	
7	3001399	1	Spacer	
8	3001400	1	Tube	
9	2000402	1	Brake Lever	
10	4001269	2	Pedal Pad	
11	3001682	1	Clutch Bellcrank	
	4001682	1	#9 Woodruff Key	
12	2000466	1	Cable Bracket	
13	3001641	2	Spring Bracket	
14	4001280	1	Spring	
15	4002143	1	Safety Switch	
16	5503071	2	#6-32 x 1-1/8" Screw	
	5550402	2	#6-32 ESNA Locknut	

**Go to Section 2**

**Go to Section 3**

**ARROW - MASTER**  
MOBILE HYDRAULIC HAMMER

**Section 2**

**MODELS 1350  
& 1350T**  
Parts Manual

**ARROW-MASTER  
INCORPORATED**



**ARROW - MASTER**  
MOBILE HYDRAULIC HAMMER

**Section 2**

**MODELS 1350  
& 1350T**  
Parts Manual

Publication No. 5000073  
(Revised 10/14)

SERIAL NUMBER: \_\_\_\_\_

SOLD AND  
SERVICED BY: \_\_\_\_\_



**ARROW-MASTER, INCORPORATED**

1201 Seventh Street • East Moline, IL 61244  
[www.arrowmaster.com](http://www.arrowmaster.com)

# Table Of Contents **Section 2**

---

**For Section 1 click here**

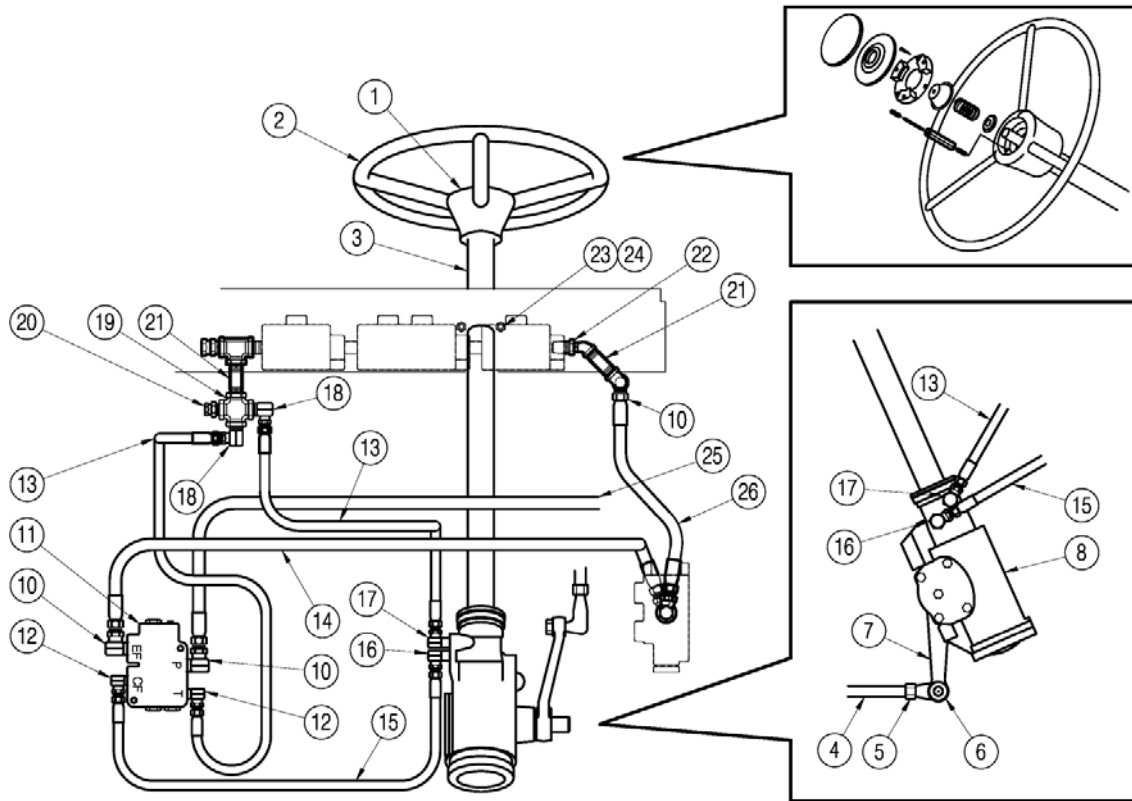
<b>Hammer Assembly Groups</b> .....	<b>2</b>
<b>Chassis and Wheels</b> .....	<b>4</b>
Steering Axle .....	6, 6a
Drive Axle S/N: 6000 - 6489 .....	8
Drive Axle S/N: 6490 - .... ..	10, 10a, 10b
Drive Axle Brakes S/N: 6000 - 6209 .....	12
Service Brakes S/N: 6000 - 6209 .....	14
Service Brakes S/N: 6210 - 7099 .....	16
Service Brakes S/N: 7100 - .... ..	16a
Parking Brake S/N: 6000 - 6209 .....	18
Parking Brake S/N: 6210 - 7099 .....	20
Parking Brake S/N: 7100 - .... ..	20a
<b>Clutch and Brake Pedals</b> .....	<b>22</b>

## **Section 2**

<b>Power Steering</b> .....	<b>23</b>
<b>Fuel and Hydraulic Tanks</b> .....	<b>24</b>
<b>Engine/Transmission</b> .....	<b>26</b>
John Deere Diesel S/N: 6000 - 6499 .....	26
John Deere Diesel S/N: 6500 - .....	28
<b>Throttle Assembly</b> .....	<b>30</b>
<b>Carriage and Sideshift</b> .....	<b>32</b>
<b>Layback Release</b> .....	<b>33</b>
<b>Lead</b> .....	<b>34</b>
<b>Hammer Weight</b> .....	<b>35</b>
<b>Hammer Tools</b> .....	<b>36</b>
<b>Creeper Gear</b> .....	<b>38</b>
<b>Creeper Cover</b> .....	<b>40</b>
<b>Cover Plates</b> .....	<b>42</b>

**For Section 3 click here**

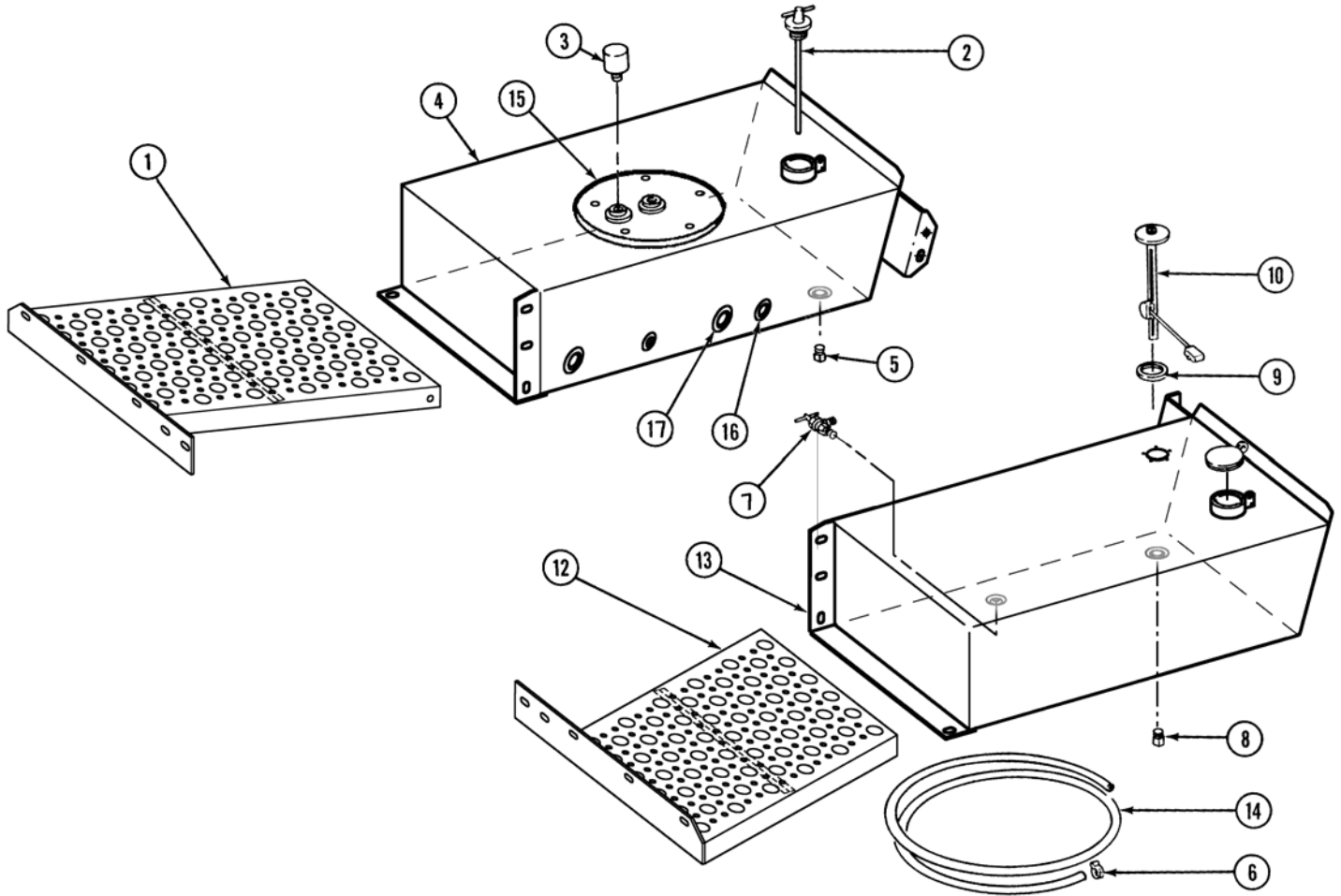
<b>Hydraulic Components</b> .....	<b>44</b>
Hydraulic Hoses .....	46
Hydraulic Hoses Electronic Stroke .....	46a
Automatic Cylinder .....	48
Hammer Lift Cylinder .....	50
Pilot Valve .....	51
Tilt Cylinder .....	52
Layback Cylinder .....	53
Hydraulic Pump .....	54
Control Valves .....	56
Hammer Control Valve .....	58
Creeper and Bypass Valve .....	60
Hydraulic Fittings .....	62
<b>Instruments &amp; Lighting</b> .....	<b>64</b>
Electronic Stroke Control .....	66
<b>Decals</b> .....	<b>68</b>
<b>How to Order Parts</b> .....	<b>70</b>
<b>Index</b> .....	<b>71</b>



No.	No.	Qty.	Description	Comments
1	4000835	1	Horn Button Kit	S/N: 6000 - 6918
2	4002306	1	Horn Button Kit	S/N: 6919 - ...
	*****	1	Steering Wheel	S/N: 6000 - 6918 - R/B 4002305
	5000555	1	Steering Wheel Nut	S/N: 6000 - 6918
	4002305	1	Steering Wheel	S/N: 6919 - ...
3	4001820	1	Steering Column	
4	2000653	1	Drag Link	
5	4001172	2	Clamp	
6	4000794	2	Tie Rod End	
7	4001818	1	Pitman Arm	
8	4001819	1	Power Steering Gear	
	5000625	1	Valve Ring Seal Kit	
	5000626	1	Side Cover Seal Kit	
	5000627	1	Pitman Shaft Seal Kit	
9	4001300	1	1/2 x 22" Hose	
10	4000122	2	1/2" - 90° Swivel	
11	*****	1	Flow Divider	S/N: 6000 - 6503
	4002188	1	Flow Divider	S/N: 6504 - ...
12	4001290	2	3/8" - 90° Swivel	
13	4001421	2	3/8 x 30" Hose	
14	4002189	1	1/2 x 40" Hose	
15	4001423	1	3/8 x 24" Hose	
16	2000687	1	18mm Adapter	
17	2000686	1	16mm Adapter	
18	4000347	2	1/2 x 3/8" - 90° Swivel	
19	4001855	1	1/2" Cross	
20	4000392	1	1/2 x 3/8" Swivel	
21	4001864	2	1/2 X 2" Nipple	
22	4001857	1	3/4 x 1/2" Reducer	
23	4000725	1	U-Bolt	
24	3001220	1	Beveled Washer	
25	4001302	1	1/2 x 124" Hose	
26	4001303	1	1/2 x 17" Hose	



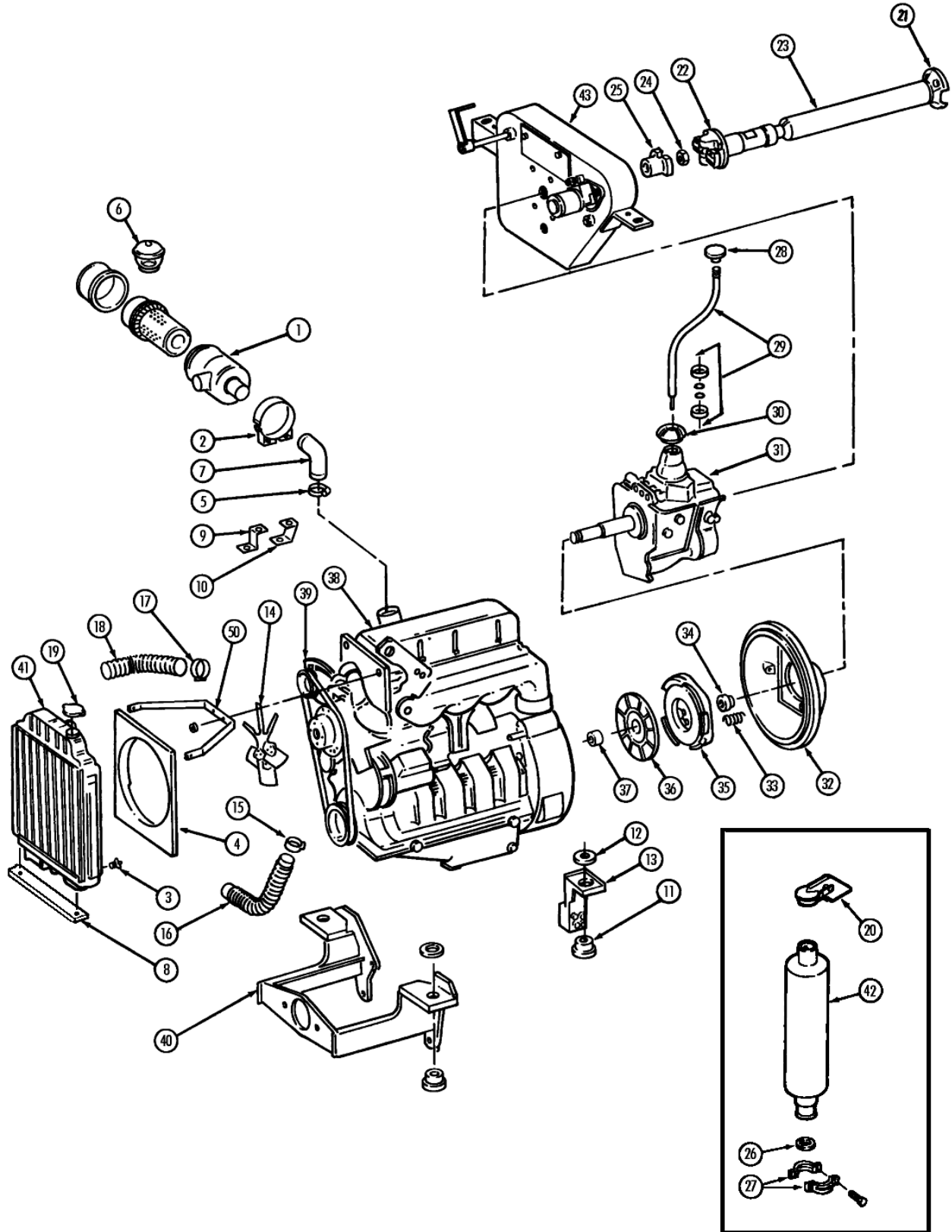
Figure 14  
Fuel and Hydraulic Tanks



Fuel and Hydraulic Tanks

Key No.	Part No.	Qty.	Description	Comments
1	2000369	1	R.H. Step	
2	4001254	1	Oil Cap/Dipstick	
3	4001453	1	Breather	
4	2000713	1	Hydraulic Tank	Assembly 2000717
5	4000538	1	Drain Plug	
6	4000857	1	Hose Clamp	
7	4001346	1	Fuel Valve - S/N: 6000 - 6589	
	4002219	1	Street Elbow	S/N: 6590 - ...
9	4001413	1	Gasket	
10	4001412	1	Sending Unit	
11	4001339	1	Fuel Tank Cap	
12	2000370	1	L.H. Step	
13	2000886	1	Fuel Tank	
14	4001504	1	32" Fuel Hose	S/N: 6000 - 6499
	4002186	1	32" Fuel Hose	S/N: 6500 - 6589
	4002220	1	37" Fuel Hose	S/N: 6590 - ...
	4001505	1	46" Return Line	
15	3002011	1	Cover Gasket	
	2000714	1	Access Cover	
16	4001958	1	1-1/4" Tank Filter	
17	4001959	1	2" Tank Filter	

Figure 15  
John Deere Diesel  
Engine/Transmission (S/N: 6000 - 6499)

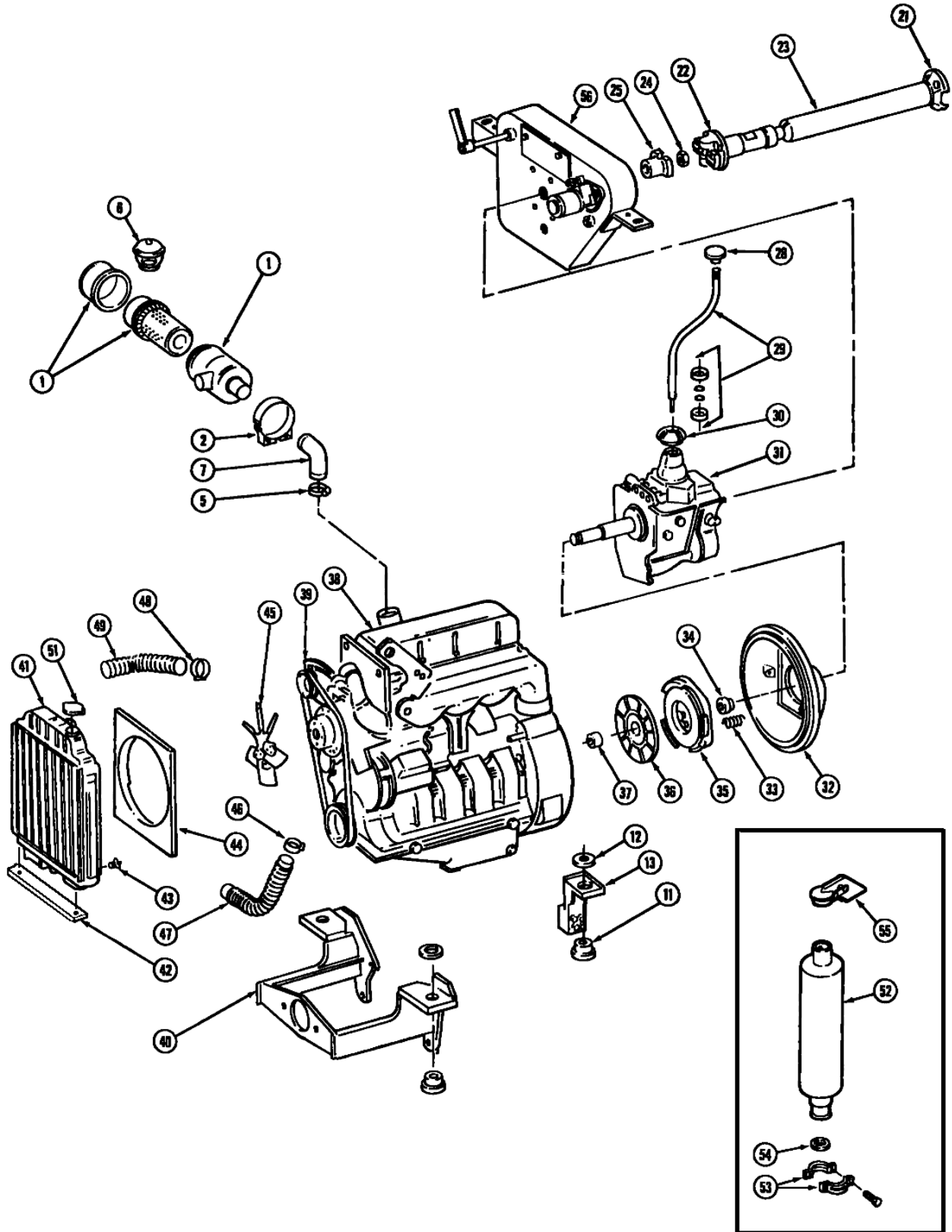


## John Deere Diesel

Key No.	Part No.	Qty.	Description	Comments
1	4001485	1	Air Cleaner	
	5000369	1	Air Filter	
2	4001534	2	Mounting Band	
3	4000689	1	Drain Cock	
4	2000734	1	Shroud	
5	4000550	2	#40 Hose Clamp	
6	4002025	1	Pre-Cleaner	
	3002154	1	Intake Foam Pad	
7	4001611	1	Rubber Hose	
8	3002089	1	Mounting Base	
9	3001747	1	Bracket	
10	3001748	1	Bracket	
11	4001398	4	Rubber Mount	
12	3001690	4	Washer	
13	2000501	2	Engine Mount	
14	4001508	1	Fan	
	4002044	1	Fan Spacer	
15	4001344	2	#32 Hose Clamp	
16	4002007	1	Lower Radiator Hose	
17	4000501	2	#28 Hose Clamp	
18	4002006	1	Upper Radiator Hose	
19	5000668	1	Radiator Cap	
20	4002049	1	Raincap	
21	5000663	1	U-Joint Only	S/N: 6000 - 6091
	5000785	1	U-Joint Only	S/N: 6092-...
22	5000187	1	U-Joint w/screws	S/N: 6000-6091
	5000786	1	U-Joint w/screws	S/N: 6092-...
23	4002172	1	Driveshaft	S/N: 6000 - 6489
	4002185	1	Driveshaft	S/N: 6490 - 6499
24	5000558	1	Nut	
25	4750165	1	Transmission Yoke	
26	4002050	1	Gasket	
27	4002051	2	Gasket Clamp	
28	5000396	1	Gear Shift Knob	
29	4001652	1	Shifter Kit	
30	4001452	1	Dust Cover	
31	4001461	1	Transmission	
	4002056	1	Transmission Seal - see Page 38 Item 25	
	5000842	1	Shift Lever Pin	
32	4001653	1	Clutch Housing	
33	4001478	1	Spring	
34	4001477	1	Clutch Release Bearing	
35	4001784	1	Pressure Plate	
36	4001783	1	Clutch Disc	
37	4001479	1	Pilot Bearing	
38	*****	1		4039D Deere Engine
	5000766	1	Fuel Filter	
	5000651	1	Oil Filter	
39	4001526	1	Fan Belt	

40	.....	2000506	1	.....	Engine-Pump Mount
41	.....	4001992	1	.....	Radiator
	.....	4002000	2	.....	Upper Radiator Mount
	.....	4002001	2	.....	Lower Radiator Mount
42	.....	4002048	1	.....	Muffler
43	.....	*****	1	....	Creeper Gear Assembly - Ref. Figure 23

Figure 16  
John Deere Diesel  
Engine/Transmission (S/N: 6500 - . . .)



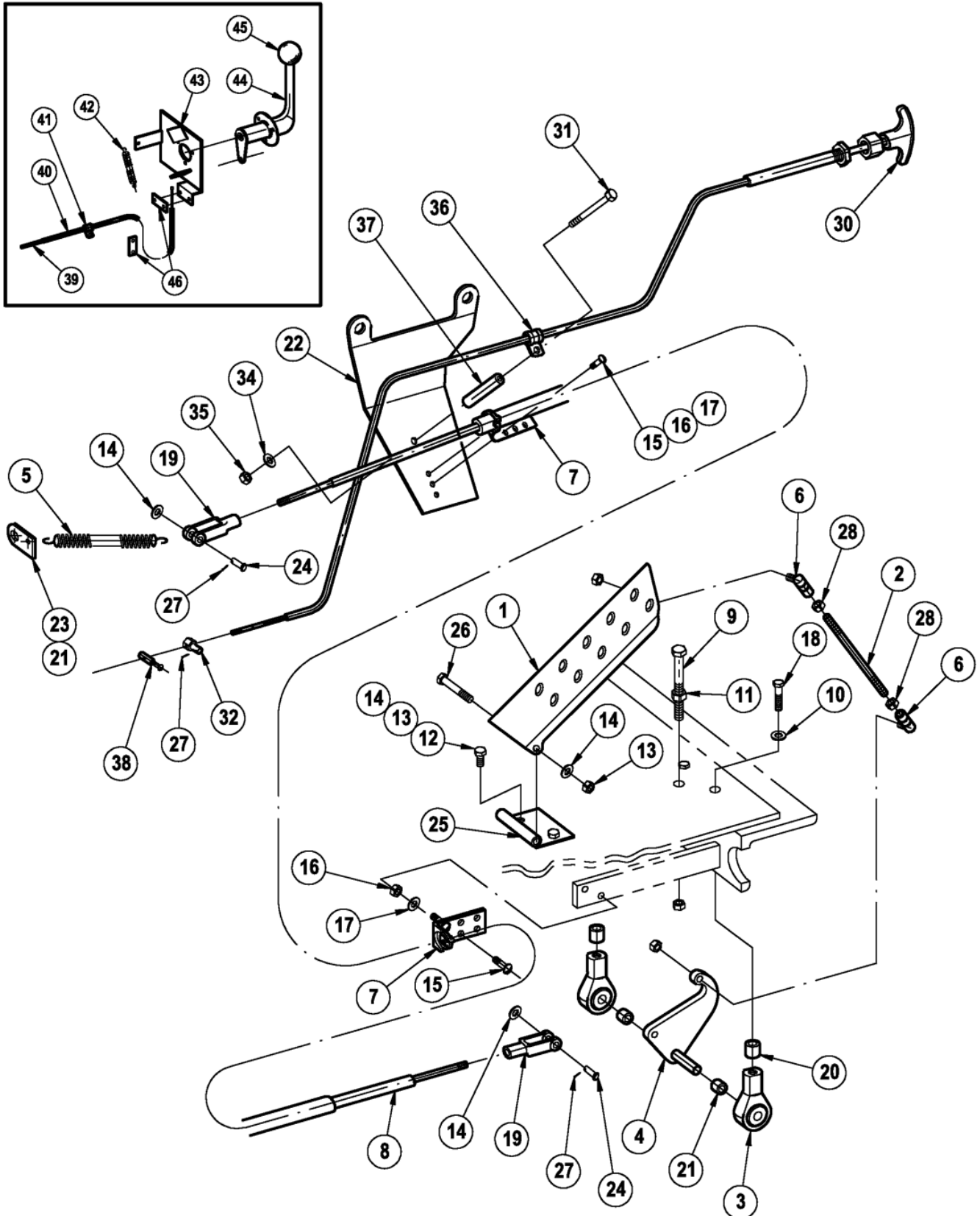
**John Deere Diesel  
Engine/Transmission (S/N: 6500 - ...)**

Key No.	Part No.	Qty.	Description	Comments
1	4001363	1	Air Cleaner	S/N: 6000 - 6910
	5000375	1	Air Filter	S/N: 6000 - 6910
	4002301	1	Air Cleaner w/ Pre-Cleaner	S/N: 6911 - ...
	5000840	1	Inner Filter	S/N: 6911 - ...
	5000841	1	Outer Filter	S/N: 6911 - ...
2	4001364	2	Mounting Band	S/N: 6000 - 6910
3				
4	4001963	1	#52 Hose Clamp	
5	4000550	1	#40 Hose Clamp	
6	4001904	1	Pre-Cleaner	
7	4002183	2	Rubber Hose	
8	3002612	1	Air Tube	S/N 7000 - ...
9	4001840	1	Rubber Elbow	S/N 7000 - ...
10	4001963	4	Clamp	S/N 7000 - ...
11	4001398	4	Rubber Mount	
12	3001690	4	Washer	
13	2000501	2	Engine Mount	
21	5000785	1	U-Joint Only (Axle End)	
	5000843	1	Strap & Bolt kit	
22	5000786	1	U-Joint w/screws (Trans End)	
23	4002185	1	Driveshaft	
24	5000558	1	Nut	
25	4750165	1	Transmission Yoke	
28	5000396	1	Gear Shift Knob	
29	4001652	1	Shifter Kit	
30	4001452	1	Dust Cover	
31	4001461	1	Transmission - see Page 38 Item 25	
	4002056	1	Transmission Seal	Mtd. In Creeper Hsg.
32	4001653	1	Clutch Housing	
33	4001478	1	Spring	
34	4001477	1	Clutch Release Bearing	
35	4001784	1	Pressure Plate	
36	4001783	1	Clutch Disc	
37	4001479	1	Pilot Bearing	
38	*****	1	4045 Deere Engine	
	5000766	1	Final Fuel Filter	S/N 6800 - 6999
	5000845	1	Long Fuel Filter	S/N 6800 - 6999
	5000826	1	Oil Filter	S/N 6800 - 6999
	5000848	1	Final Fuel Filter	S/N 7000 - ...
	5000847	1	Long Fuel Filter	S/N 7000 - ...
	5000846	1	Oil Filter	S/N 7000 - ...
39	5000828	1	Fan Belt	
40	2000819	1	Engine-Pump Mount	
41	4001992	1	Radiator	
	4002000	2	Upper Radiator Mount	
	4002001	2	Lower Radiator Mount	
42	3002089	1	Mounting Base	
43	4000689	1	Drain Cock	
44	2000734	1	Shroud	
45	4001508	1	Fan	
46	4001344	2	#32 Hose Clamp	
47	4002181	1	Lower Radiator Hose	
48	4000501	2	#28 Hose Clamp	

49	.....	4002182	..	1	.....	Upper Radiator Hose
51	.....	5000668	..	1	.....	Radiator Cap
52	.....	4002269	..	1	.....	Muffler
	.....	4002348	..	1	.....	Muffler ..... S/N 7000 - ...
53	.....	4002051	..	2	.....	Muffler Clamp
54	.....	4002050	..	1	.....	Gasket
55	.....	4002270	.....	1	.....	Rain Cap ..... S/N 6800 - 6999
	.....	4002349	.....	1	.....	Rain Cap ..... S/N 7000 - ...
56	.....	*****	.....	1	.....	Creep Gear Assembly - Ref. Figure 23



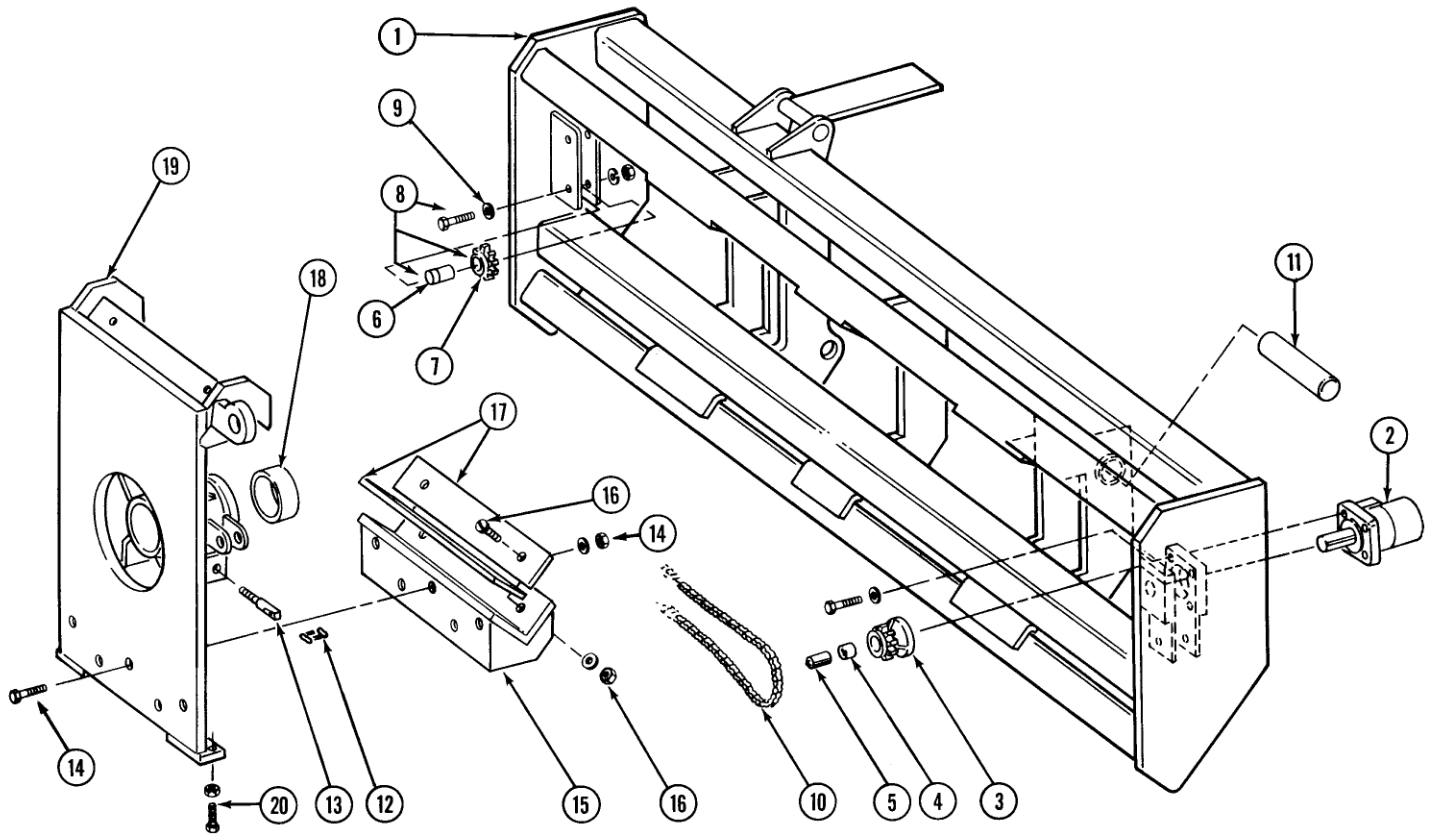
Figure 17  
Throttle Assembly



## Throttle Assembly

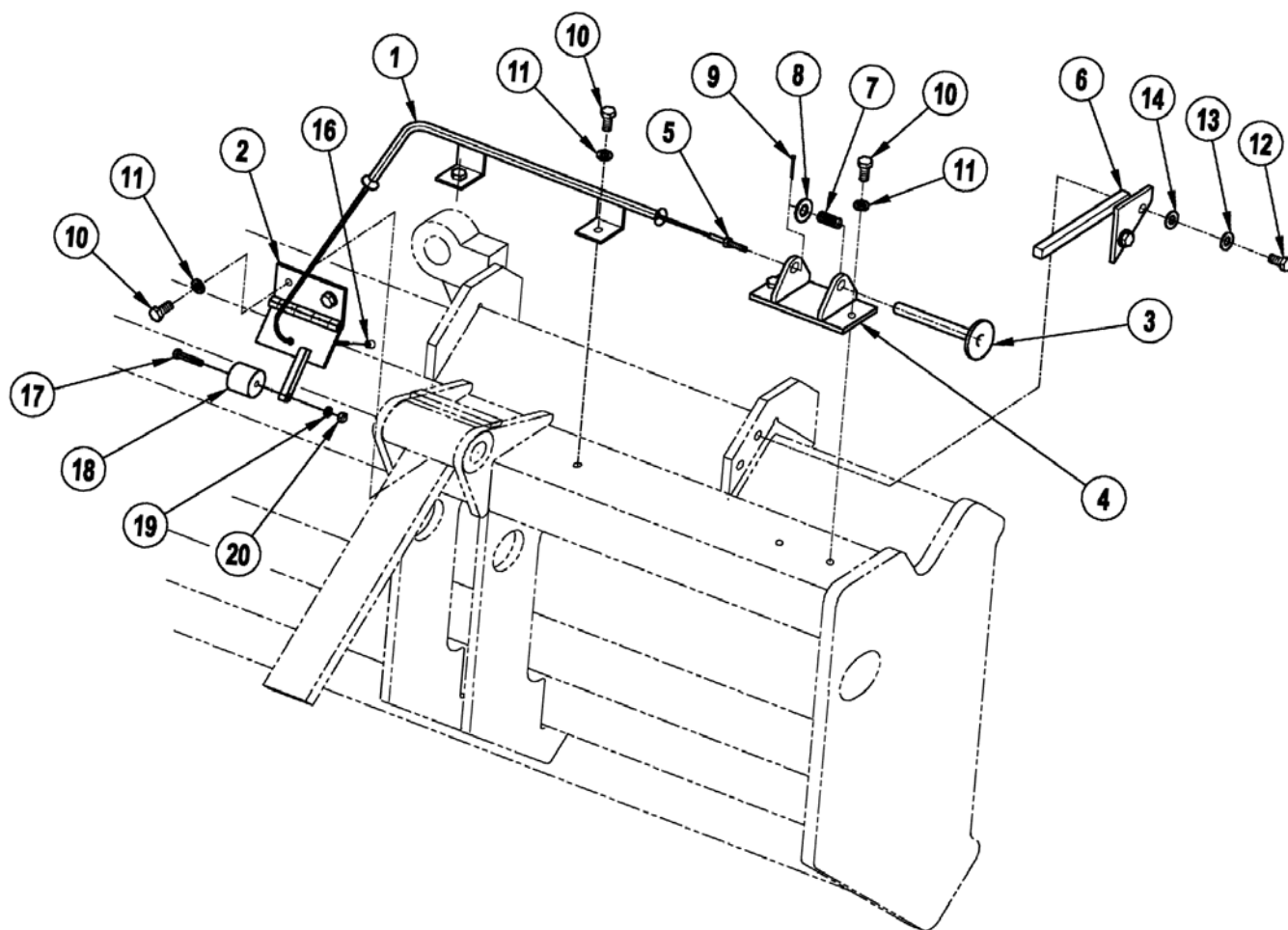
Key No.	Part No.	Qty.	Description	Comments
1	*****	1	Accelerator Pedal	S/N: 6000 - 6424
	2000814	1	Accelerator Pedal	S/N: 6425 - ...
2	*****	1	Pedal Rod	S/N: 6000 - 6424
	3002286	1	Pedal Rod	S/N: 6425 - ...
3	4001354	2	Pivot Bearing	
4	2000440	1	Throttle Pivot	
5	4001497	1	Return Spring	
6	4000473	2	Ball Joint	
7	4001239	2	Cable Clip	
8	4001381	1	74" Cable	
9	5540214	1	Stop Bolt	S/N: 6000 - 6424
10	5555205	2	Washer - Split Lock 3/8"	
11	5550012	1	Nut	
12	5540005	2	Screw - HHC 1/4" - 20 x 1"	
13	5550408	5	Nut - Hex ESNA 1/4" - 20"	
14	5555003	7	Washer - Std Flat 1/4"	
15	5500220	4	Screw - Rnd Hd #10 - 32" x 1"	
16	5550007	4	Nut - Std Hex #10 - 32"	
17	5555202	4	Washer - Split Lock #10	
18	5540257	2	Screw - HHC 3/8" - 24 x 1-1/2"	
19	4001369	2	Clevis	
20	3001497	3	1/2" Spacer	
21	3001502	3	5/16" Spacer	
22	3002149	1	Throttle Bracket	
23	3001641	1	Spring Anchor	
24	4001506	2	Clevis Pin	
25	2000815	1	Hinge	
26	5540013	1	Screw - HHC 1/4" - 20 x 3"	
27	5556504	3	Pin - Cotter 1/16" x 3/4"	
28	5550009	2	Nut - Hex Fine Thd 1/4"-28"	
29				
30	4750172	1	Hand Throttle & Cable	S/N: 6601 - ...
31	5540013	1	Screw - HHC 1/4"-20 x 3"	
32	4001241	1	Swivel	
33				
34	5555203	1	Lockwasher - 1/4"	
35	5550008	1	Nut - Std 1/4"-20"	
36	4001836	1	P-Clamp	S/N: 6601 - ...
37	3002436	1	Spacer	S/N: 6601 - ...
38	4001240	1	Stop Collar	S/N: 6601 - ...
39	4750141	1	36" Throttle Wire	S/N: 6000 - 6600
40	4750140	1	28" Casing	S/N: 6000 - 6600
41	4002067	1	Clamp	S/N: 6000 - 6600
42	4001287	1	Handle Spring	S/N: 6000 - 6600
43	2000395	1	Throttle Bracket	S/N: 6000 - 6600
44	*****	1	Control Handle w/Knob	S/N: 6000 - 6600 - R/B 4002063
45	4001762	1	Ball Knob	S/N: 6000 - 6600
46	4001246	2	Throttle Strap	S/N: 6000 - 6600

Figure 18  
Carriage and Sideshift



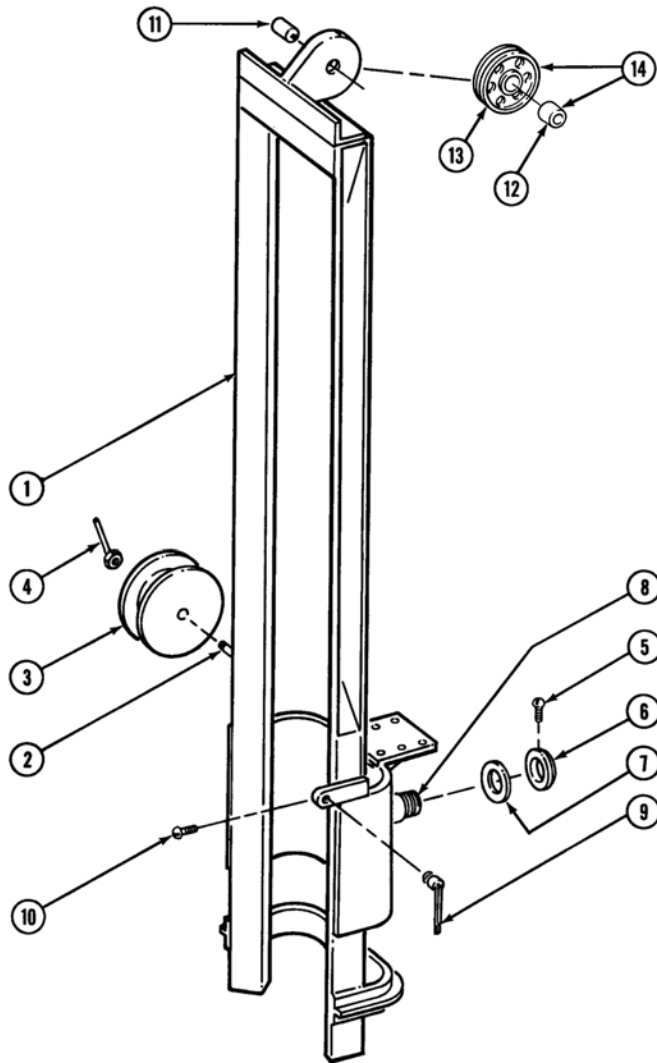
Key No.	Part No.	Qty.	Description	Comments
1	2000047	1	Slide	
2	4001915	1	MG Hydraulic Motor	
	5000642	1	Seal Kit for 4001915	
	5000595	1	Shaft Key	
3	3001226A	1	Sprocket w/Set Screw	
4	4001575	1	Bearing	
5	3000708A	1	Bearing Pin w/Zerk	
6	4000591	5	Bearing Only	
7	4750096	5	Sprocket Only	
8	5000652	5	Idler Sprocket Assembly	
9	3002002	10	Thrust Washer	
10	4000592	1	Roller Chain, 320-5/8"	Thru S/N: 6431
	4002179	1	Roller Chain, 323-1/8"	S/N: 6432 - . . .
11	3000709	2	Hinge Pin	
12	4000593	2	Connecting Link	
13	3001465	2	Adjusting Screw	
14	5000612	5	Bolt Assembly	
15	2000327	1	Bottom Guide	
16	5000613	8	Screw Assembly	
17	3000282	4	Bearing Block	
	2000070	1	Bearing Block Set	Includes 16 & 17
18	3001104	2	Bearing	
19	2000324	1	Carriage	
	1000073	1	Carriage Assy	Includes 14 thru 19
20	5000640	2	Adjusting Screw w/Nut	

Figure 19  
Layback Release (S/N: 6432 - ...)



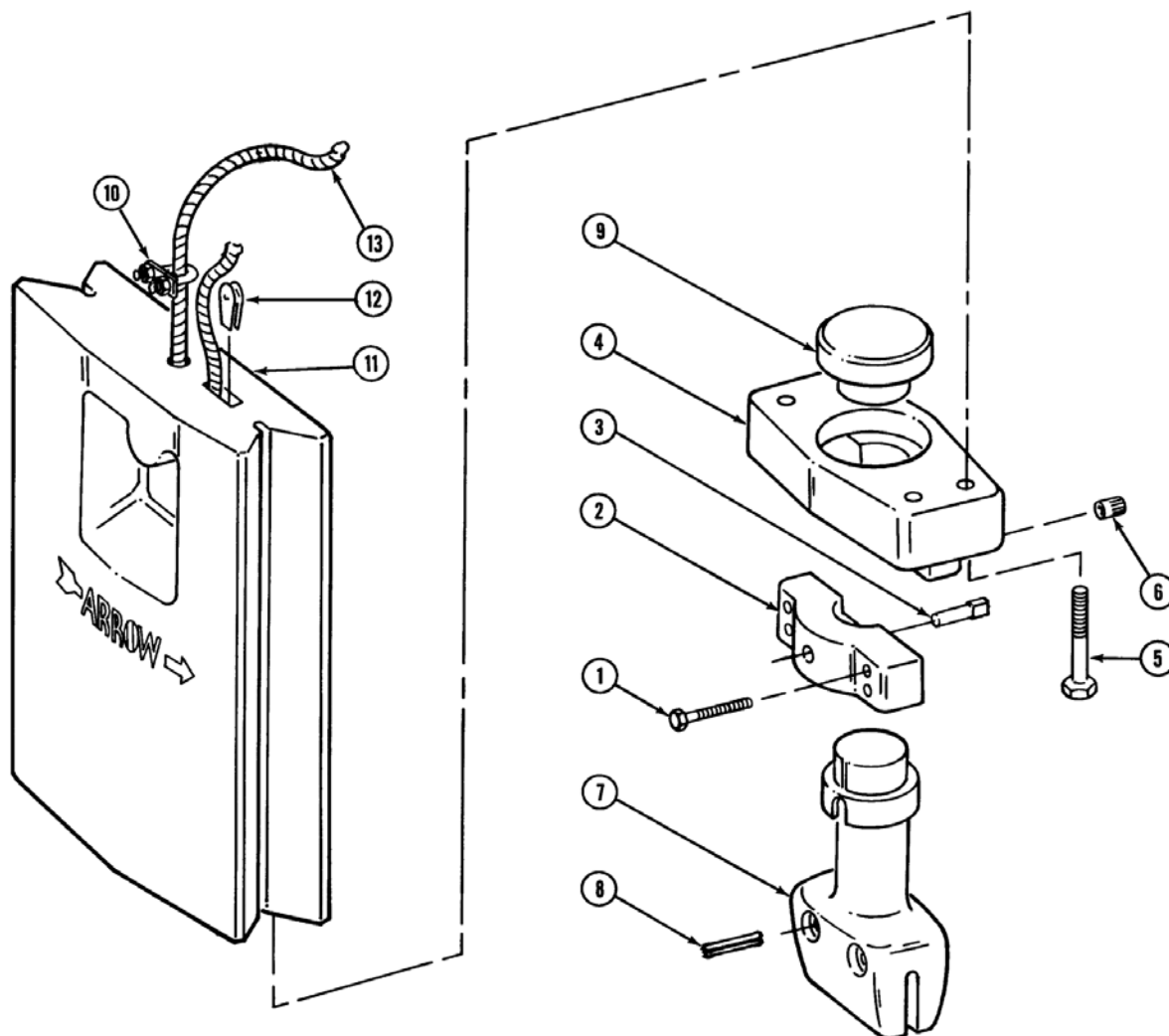
Key No.	Part No.	Qty.	Description	Comments
1	2000801	1	Tube Weldment	
2	2000818	1	Hinge Assembly	S/N: 6432 - 6606
	2000856	1	Hinge Assembly	S/N: 6607 - ...
3	2000803	1	Pin Weldment	
4	2000804	1	Slide Bracket	
5	2000640	1	Cable Assembly	
6	2000816	1	Trip Finger	
7	4002174	1	Compression Spring	
8	4002175	1	Arbor Spacer	
9	5556106	1	Roll Pin 3/16 x 1"	
10	5540103	6	5/16-18 x 3/4" Bolt	
11	5555204	6	5/16" Lockwasher	
12	5540207	2	3/8-16 x 1-1/2" Bolt	
13	5555205	2	3/8" Lockwasher	
14	5555005	2	3/8" Flatwasher	
15	5550008	1	1/4-20 Std Hex Nut	
16	4001764	1	Stop Button 1/8"	
17	5540007	1	1/4-20 x 1-1/2" Bolt	
18	4002173	1	Rubber Bumper	
19	5555003	1	1/4" Flatwasher	
20	5550408	1	1/4-20 ESNA Nut	
	2000817	1	Release Assembly	Items 1 thru 20

Figure 20  
Lead



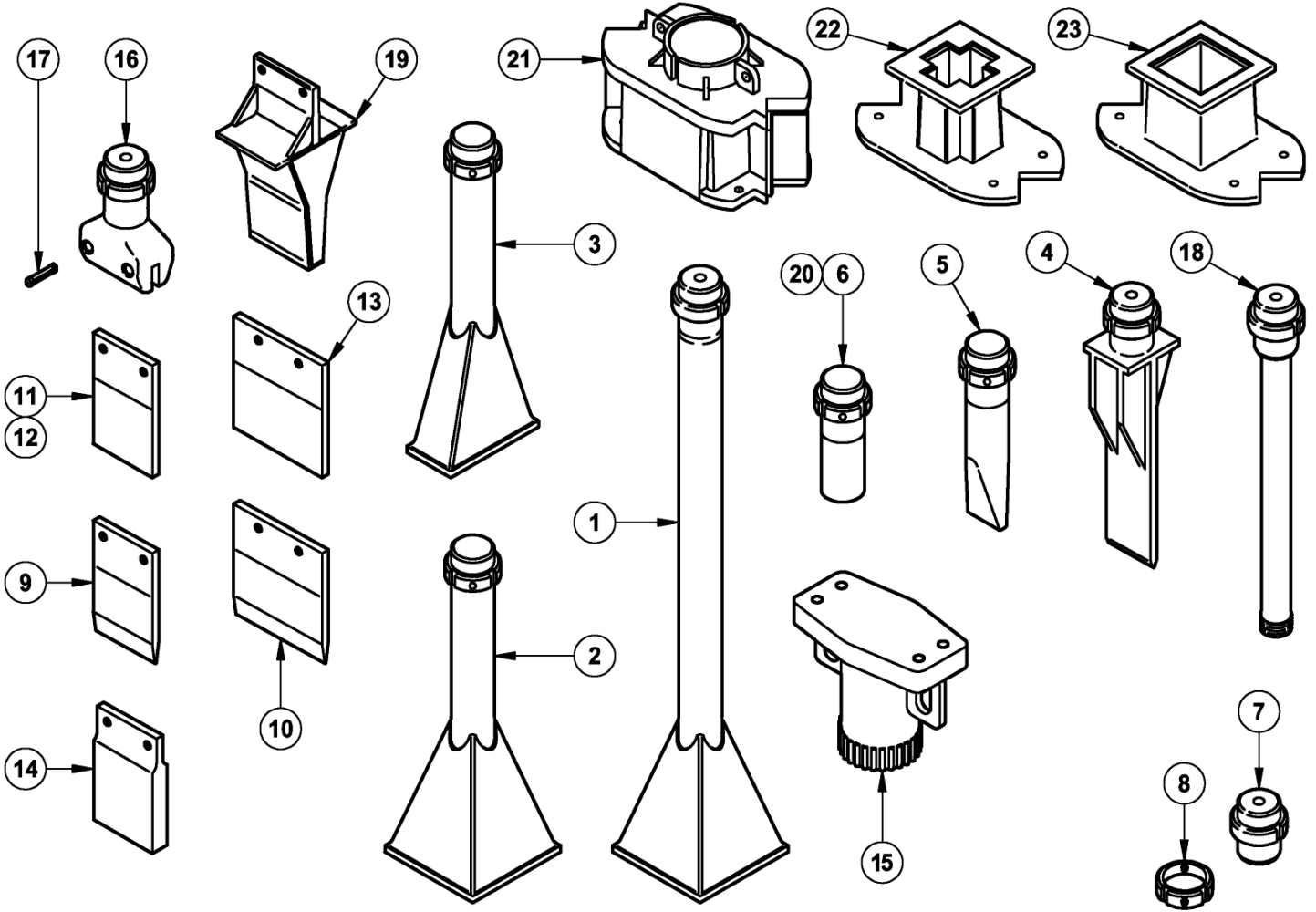
Key No.	Part No.	Qty.	Description	Comments
1	2000315	1	Lead	
2	3001477	1	Spool Shaft	S/N: 6000 -6554
3	2000535	1	Spool Only	
	2000616	1	Spool w/Cable	
4	2000448	1	Spinner	S/N: 6000 - 6554
	2000825	1	Spinner	S/N: 6555 - ...
5	5000631	1	Bolt w/Lock Washer	
6	3001040A	1	Center-Pin Nut w/Bolt	
7	3001043	1	Thrust Washer	
8	2000553	1	Pin & Plate	
9	2000316	1	Lock Pin	
10	4750155	1	Lock Pin Screw	
11	3000285A	1	Sheave Pin w/Zerk	
12	4001157	1	Sheave Bearing	
13	3001042	1	Lead Sheave	
14	2000317	1	Sheave & Bearing	

Figure 21  
Hammer Weight



Key No.	Part No.	Qty.	Description	Comments
1	5000607	4	7/8" Bolt & Lock Washer	
2	3001234A	1	Hammer Clamp w/Dowel	
3	3001232	1	Dowel Pin	
4	3001233A	1	Hammer Head w/Nuts	
5	5000611	4	1 X 5" Bolt & Lock Washer	
	5000620	4	1 x 7-1/2" Bolt & Lock Washer	Units with Item 10
6	3001821	4	Hammer Head Nut	
7	3001247	1	Toolholder	
8	4001390	2	Flex Pin	
9	3001231	1	Anvil	
10	4001473	1	Cable Clamp	
11	2000835A	1	Hammer Weight	
	5750002	1	Weight Shim Kit (Not Shown)	
12	3001248	2	Cable Wedge	
13	4001024	1	3/8 x 51' Cable	Fiber Center
	2000616	1	3/8 x 250' Cable on Spool	Optional
14	2000799		Flex Pin/ Cable Wedge Tool (Not Shown)	

Figure 22  
Hammer Tools

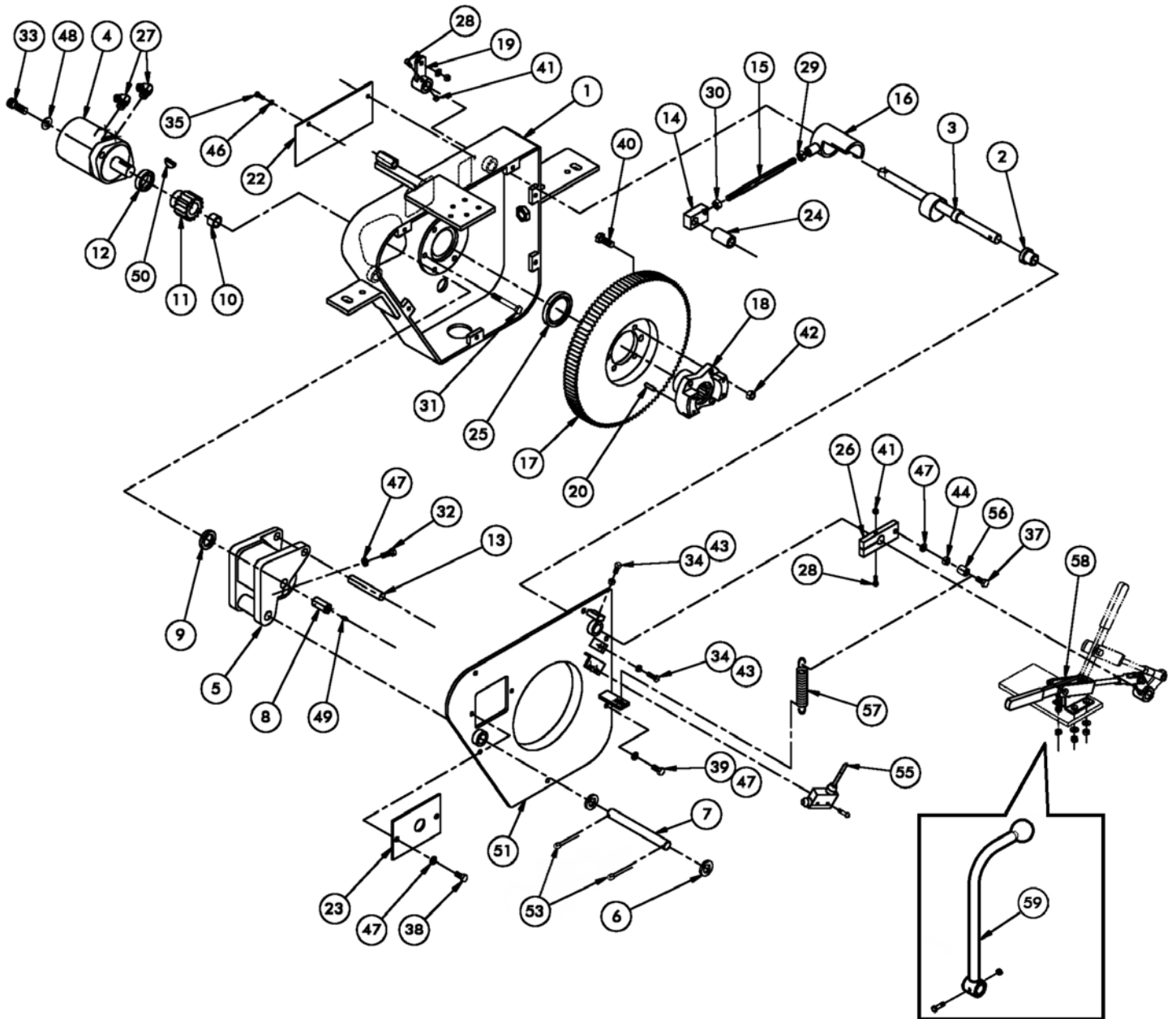


## Hammer Tools

Key No.	Part No.	Qty.	Description	Comments
1	2000336	-	Tamper	12" x 12" x 72"
2	2000468	-	Tamper	12" x 12" x 36"
3	2000690	-	Tamper	6" x 12" x 36"
4	2000459	-	Frost Chisel	6" x 31"
5	2000355	-	Concrete Wedge	4-1/2" x 20"
6	2000354	-	Concrete Breaker	4-1/2" x 20"
7	3001101	-	Tool Head	
8	3001251	-	2 Slot Collar	
9	3001238	-	Tapered Scoring Tool	8" x 11" x 7/8"
10	3001236	-	Tapered Cutter	12" x 11" x 7/8"
11	3001239	-	Blunt Scoring Tool	8" x 11" x 7/8"
12	3001520	-	Blunt Scoring Tool	8" x 16" x 7/8"
13	3001237	-	Blunt Cutter	12" x 11" x 7/8"
14	3001235	-	Heavy Duty Breaker	8" x 11" x 2"
15	2000830	-	Breaker Head	8" x 14-1/2"
16	3001247	-	Tool Holder	
17	4001390	-	Flex Pins	
18	2000791	-	Post Hole Punch	3" x 32"
19	2000792	-	Trenching Tool	8" x 14"
20	2000904	-	Post Driving Dolly	4-1/2" x 13"
21	2000906	-	Post Driving Head	
22	2000907	-	Post Driving Insert	
23	*****	-	Post Driving Insert	



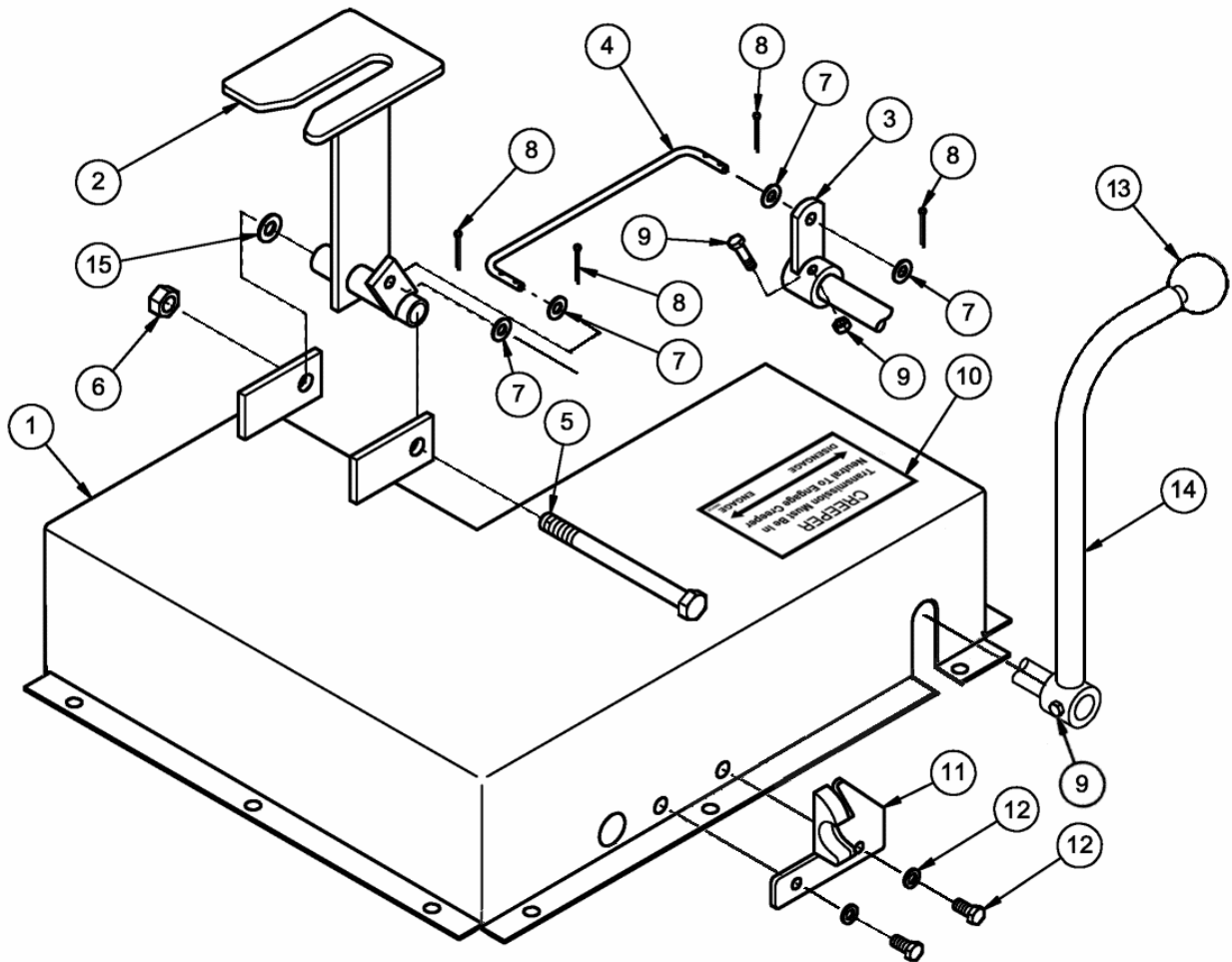
Figure 23  
Creeper Gear



## Creepers Gear

Key No.	Part No.	Qty.	Description	Comments
1	2000729	1	Gear Case	
2	4000777	2	Nylon Bushing	
3	2000727	1	Shift Cam	S/N: 6000 - 6228
	2000777	1	Shift Cam	S/N: 6229 - 6610
	2000852	1	Shift Cam	S/N: 6611 - ...
4	4002032	1	2-Bolt Motor	
	5000642	1	Seal Kit	
	5000595	1	Woodruff Key	
5	2000733	1	Pinion Bracket	
6	5555262	2	SAE Washer - 1/8" thick	
	4001591	4	Shim Washer - .031" Thick	
7	3002072	1	Hinge Pin	
8	3000708A	1	Bearing Pin w/ Zerk	
9	3001200	1	1/4" Spacer	
10	4001575	1	Bearing	
11	4750132	1	Spur Gear w/o Bearing	
12	3001050	1	7/16" Spacer	
13	3001201	1	Shift Pin	
14	3002074	1	Shift Link	
15	3002075	1	Adjusting Rod	
16	2000732	1	Cam Retainer	
17	3002065	1	Bull Gear	
18	4750165	1	Flange Yoke	
19	2000744	1	Handle Weldment	S/N: 6000 - 6228
	2000780	1	Lock Lever	S/N: 6229 - 6610
20	4002057	2	1/2" x 1" Dowel Pin	
21				
22	3001206	1	Rear Cover Plate	
23	3001601	1	Front Cover Plate	
24	3002073	1	Spacer	
25	4002056	1	Rear Transmission Seal	
26	3002057	1	Creepers Adj. Bar	
27	4002023	2	Creepers Motor Fitting SAE 10 x 8 JIC - 90	
28	5540008	2	1/4"-20 x 1-3/4" Hex Hd. Cap Screw	
29	5550015	1	7/16"-20 Hex Nut, R.H.	
30	5550115	1	7/16"-20 Hex Nut, L.H.	
31	4002060	5	3/8"-16 x 2-1/4" Hex Flange Hd. Cap Screw	
32	5527192	1	3/8"-16 x 1-1/4" Soc. Hd. Cap Screw	
33	5527314D	2	1/2"-13 x 1-1/2" Drilled Soc. Hd. Cap Screw	
34	5530068	2	5/16"-18 x 1" Square Hd. Set Screw	
35	5540053	2	1/4"-28 x 3/4" Hex Hd. Cap Screw	
37	5540208	1	3/8"-16 x 1-3/4" Hex Hd. Cap Screw	
38	5540251	2	3/8"-24 x 1/2" Hex Hd. Cap Screw	
39	5540255	6	3/8"-24 x 1" Hex Hd. Cap Screw	
40	5540357	4	7/16"-20 x 1-1/2" Hex Hd. Cap Screw	
41	5551708	3	1/4"-20 Locknut	
42	5550415	4	7/16"-20 Locknut	
44	5550612	1	3/8"-16 Jam Nut	
46	5555203	2	1/4" Lockwasher	
47	5555205	9	3/8" Lockwasher	
48	5555408	2	1/2" Structural Washer	
49	4000354	1	Grease Fitting	
50	5000595	1	Woodruff Key	
51	2000728	1	Cover	
53	5556570	2	1/8" x 2" Cotter Pin	
54				
55	4002143	1	Safety Switch	
56	3002347	1	Spacer	
57	4001280	1	Spring	
58	2000851	1	Shift Lever Assy	S/N: 6611 - ...
59	2000778	1	Shift Lever	S/N: 6000 - 6610 See Fig 24b

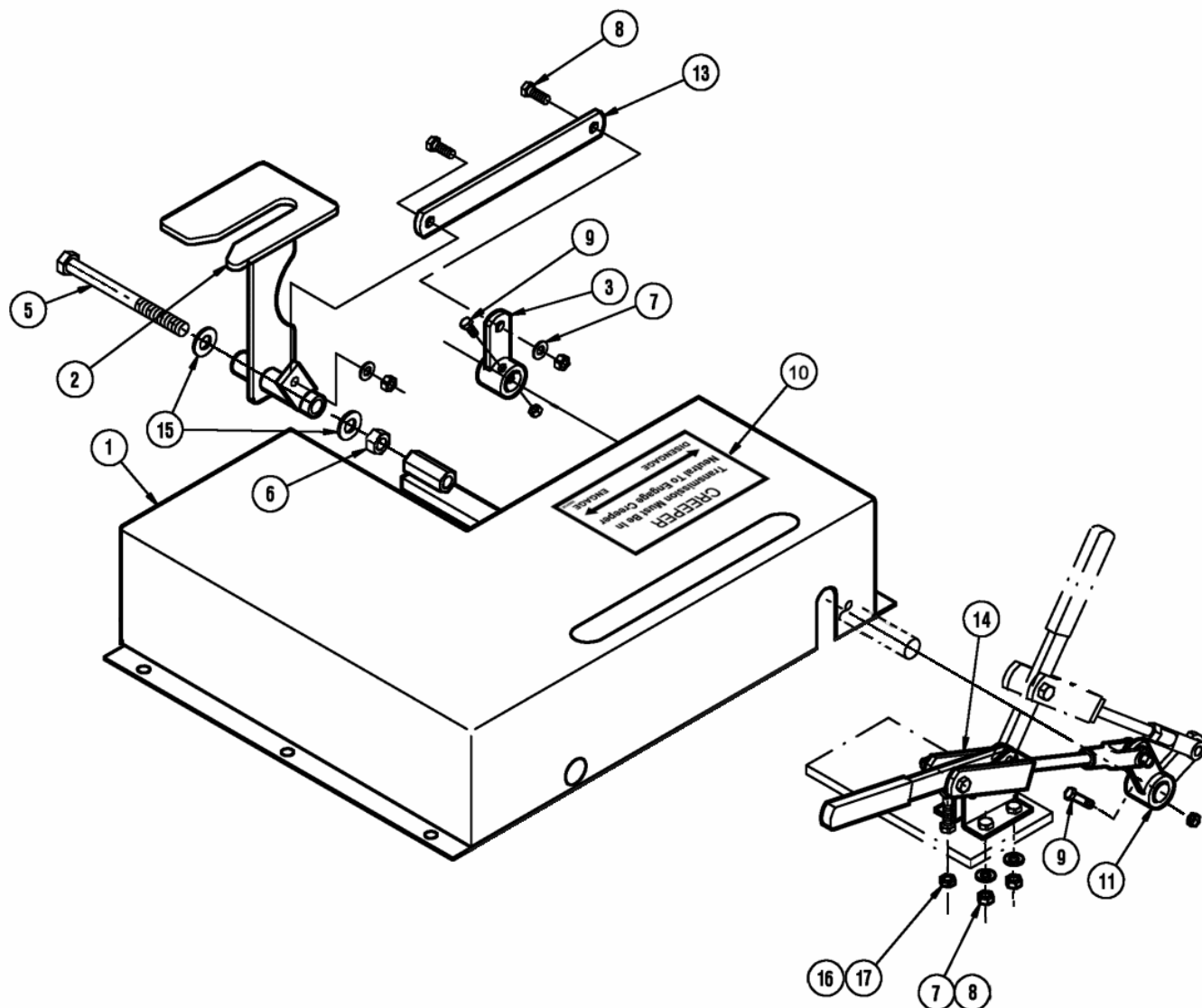
Figure 24a  
 Creeper Cover S/N: 6000 - 6610



Key No.	Part No.	Qty.	Description	Comments
1	2000740	1	Creeper Cover Weldment	S/N: 6000 - 6610
2	2000743	1	Latch Weldment	
3	2000744	1	Handle Weldment	S/N: 6000 - 6228
	2000780	1	Lock Lever	S/N: 6229 - ...
4	*****	1	Control Rod	S/N: 6000 - 6482
5	5540420	1	1/2 -13 x 5-1/2" Hex Hd. Cap Screw	
6	5550416	1	1/2 -13 Lock Nut	
7	5555004	2	5/16 Flat Washer	
8	5540105	2	5/16 -18 x 1 Hex Hd. Cap Screw	
	5550410	2	5/16 -18 Lock Nut	
9	5540008	2	1/4 -20 x 1-3/4" Hex Hd. Cap Screw	
	5551708	2	1/4 -20 Lock Nut	
10	3002135	1	Creeper Interlock Decal	
11	2000836	1	Lever Latch	
12	5540103	2	5/16 -18 x 3/4" Hex Hd. Cap Screw	
	5555204	2	5/16" Split Lock Washer	
13	4001169	1	Ball Knob	
14	2000778	1	Shift Lever	
15	5555258	1	1/2 -13 Flat Washer	

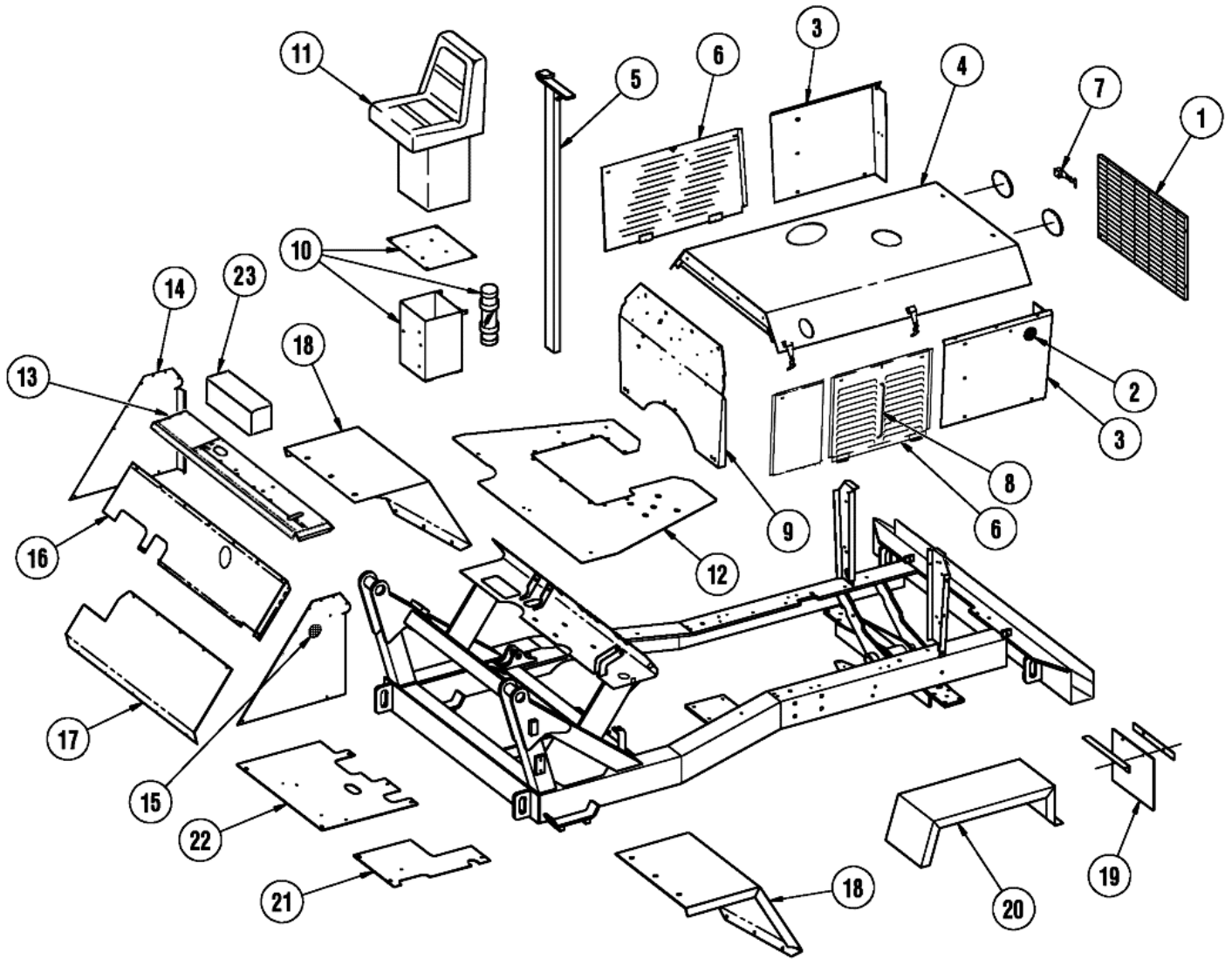
Figure 24b

Creep Cover S/N: 6611 - . . .



Key No.	Part No.	Qty.	Description	Comments
1	2000858	1	Creep Cover Weldment	S/N: 6611 - . . .
2	2000743	1	Latch Weldment	
3	2000780	1	Lock Lever	S/N: 6229 - . . .
5	5540420	1	1/2 -13 x 5-1/2" Hex Hd. Cap Screw	
6	5550016	1	1/2 -13 Hex Nut	
7	5555004	6	5/16 Flat Washer	
8	5540105	6	5/16 -18 x 1 Hex Hd. Cap Screw	
	5550410	6	5/16 -18 Lock Nut	
9	5540058	1	1/4 -28 x 1-3/4" Hex Hd. Cap Screw	
	5550409	1	1/4 -28 Lock Nut	
10	3002135	1	Creep Interlock Decal	
11	2000853	1	Front Lock Lever	
13	3002345	1	Shift Link	
14	2000851	1	Shift Lever	
15	5555258	2	1/2 SAE Flat Washer	
16	5550610	2	5/16 -18 Jam Nut	
17	5540111	1	Stop Bolt	

Figure 25  
Cover Plates



## Cover Plates

Key No.	Part No.	Qty.	Description	Comments
1	2000396	1	Back Grill	
2	4002177	2	Red Reflector	
3	2000739	1	R.H. Panel	S/N: 6000 - 6721
	2000872	1	R.H. Panel	S/N: 6722 - . . .
	2000738	1	L.H. Panel	S/N: 6000 - 6721
	2000871	1	L.H. Panel	S/N: 6722 - . . .
4	2000735	1	Hood	S/N: 6000 - 6499
	2000820	1	Hood	S/N: 6500 - 6721
	2000875	1	Hood	S/N: 6722 - 6999
	2000939	1	Hood	S/N: 7000 - . . .
5	2000445	1	Lead Rest	
6	2000482	1	R.H. Side Panel	S/N: 6000 - 6721
	2000874	1	R.H. Side Panel	S/N: 6722 - . . .
	3001660	2	L.H. Hinge	
	2000481	1	L.H. Side Panel	S/N: 6000 - 6721
	2000874	1	L.H. Side Panel	S/N: 6722 - . . .
	3001661	2	R.H. Hinge	
7	4001233	5	Flexible Latch	
8	4001255	2	Handle	
9	3002511	1	Firewall w/o Gauge Holes	
	3001740	2	Mounting Angle	
10	2000392	1	Seat Base	
	2000393	1	Seat Top	
	4001260	1	Seat Latch	
	4001737	1	Catch	
	4002276	1	Tube, Operator's Manual	
	4002277	2	Tube Clamp	
11	4001934	1	Seat	
	3001919	1	Seat Adapter Plate	
12	2000741	1	Floor Plate	
13	2000859A	1	Top Front Cowl w/Decals	
14	3000869	1	R.H. Cowl	S/N: 6000 - 7020
	3000870	1	L.H. Cowl	S/N: 6000 - 7020
	3002583	1	R.H. Cowl	S/N: 7021 - . . .
	3002584	1	L.H. Cowl	S/N: 7021 - . . .
15	4002176	2	Amber Reflector	
16	2000578	1	Center Cowl	
17	3000948	1	Bottom Cowl	
18	3001404	2	Fender Bracket	
	3002140	1	L.H. Front Fender	S/N: 6000 - 7020
	3002141	1	R.H. Front Fender	S/N: 6000 - 7020
	3002580	2	Front Fender	S/N: 7021 - . . .
19	3001578	2	Mud Flap	
	3001575	2	Mounting Angle	
	3001577	2	Strap	
20	3001402	2	Rear Fender	
	3001405	2	Fender Bracket	
21	3002143	1	Floor Plate, L.H.	
22	3002144	1	Floor Plate, R.H.	
23	2000887	1	Instrument Panel	
	3002509	1	Housing Panel	

**Go to Section 1**

**Go to Section 3**

**ARROW - MASTER**  
MOBILE HYDRAULIC HAMMER

**Section 3**

**MODELS 1350  
& 1350T**  
Parts Manual

**ARROW-MASTER  
INCORPORATED**





**ARROW - MASTER**  
MOBILE HYDRAULIC HAMMER

**Section 3**

**MODELS 1350  
& 1350T**  
Parts Manual

Publication No. 5000073  
(Revised 10/14)

SERIAL NUMBER: \_\_\_\_\_

SOLD AND  
SERVICED BY: \_\_\_\_\_



**ARROW-MASTER, INCORPORATED**

1201 Seventh Street • East Moline, IL 61244  
[www.arrowmaster.com](http://www.arrowmaster.com)

# Table Of Contents **Section 3**

---

**For Section 1 click here**

<b>Hammer Assembly Groups</b> .....	<b>2</b>
<b>Chassis and Wheels</b> .....	<b>4</b>
Steering Axle .....	6, 6a
Drive Axle S/N: 6000 - 6489 .....	8
Drive Axle S/N: 6490 - .... ..	10, 10a, 10b
Drive Axle Brakes S/N: 6000 - 6209 .....	12
Service Brakes S/N: 6000 - 6209 .....	14
Service Brakes S/N: 6210 - 7099 .....	16
Service Brakes S/N: 7100 - .... ..	16a
Parking Brake S/N: 6000 - 6209 .....	18
Parking Brake S/N: 6210 - 7099 .....	20
Parking Brake S/N: 7100 - .... ..	20a
<b>Clutch and Brake Pedals</b> .....	<b>22</b>

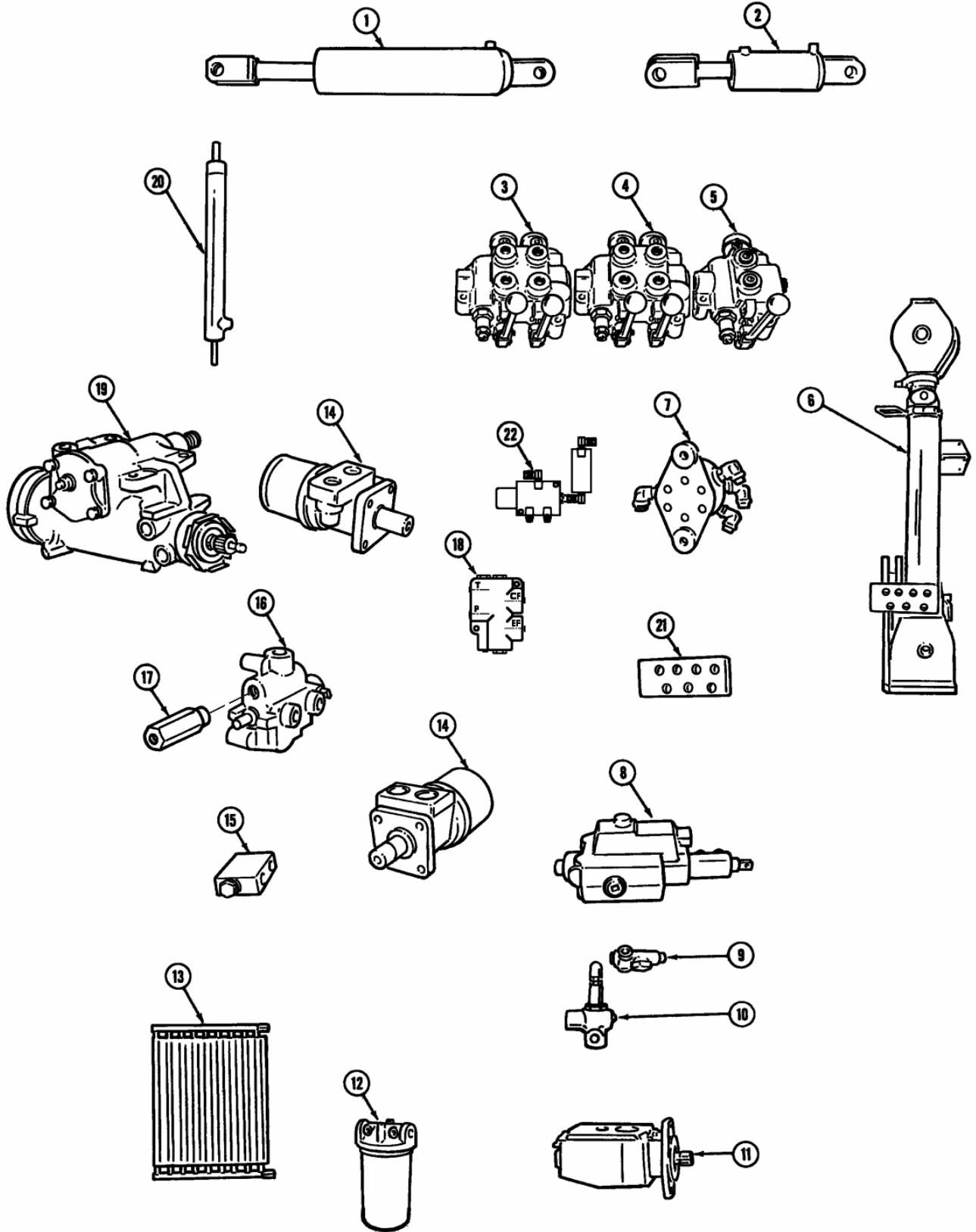
**For Section 2 click here**

<b>Power Steering</b> .....	<b>23</b>
<b>Fuel and Hydraulic Tanks</b> .....	<b>24</b>
<b>Engine/Transmission</b> .....	<b>26</b>
John Deere Diesel S/N: 6000 - 6499 .....	26
John Deere Diesel S/N: 6500 - .....	28
<b>Throttle Assembly</b> .....	<b>30</b>
<b>Carriage and Sideshift</b> .....	<b>32</b>
<b>Layback Release</b> .....	<b>33</b>
<b>Lead</b> .....	<b>34</b>
<b>Hammer Weight</b> .....	<b>35</b>
<b>Hammer Tools</b> .....	<b>36</b>
<b>Creeper Gear</b> .....	<b>38</b>
<b>Creeper Cover</b> .....	<b>40</b>
<b>Cover Plates</b> .....	<b>42</b>

## **Section 3**

<b>Hydraulic Components</b> .....	<b>44</b>
Hydraulic Hoses .....	46
Hydraulic Hoses Electronic Stroke .....	46a
Automatic Cylinder .....	48
Hammer Lift Cylinder .....	50
Pilot Valve .....	51
Tilt Cylinder .....	52
Layback Cylinder .....	53
Hydraulic Pump .....	54
Control Valves .....	56
Hammer Control Valve .....	58
Creeper and Bypass Valve .....	60
Hydraulic Fittings .....	62
<b>Instruments &amp; Lighting</b> .....	<b>64</b>
Electronic Stroke Control .....	66
<b>Decals</b> .....	<b>68</b>
<b>How to Order Parts</b> .....	<b>70</b>
<b>Index</b> .....	<b>71</b>

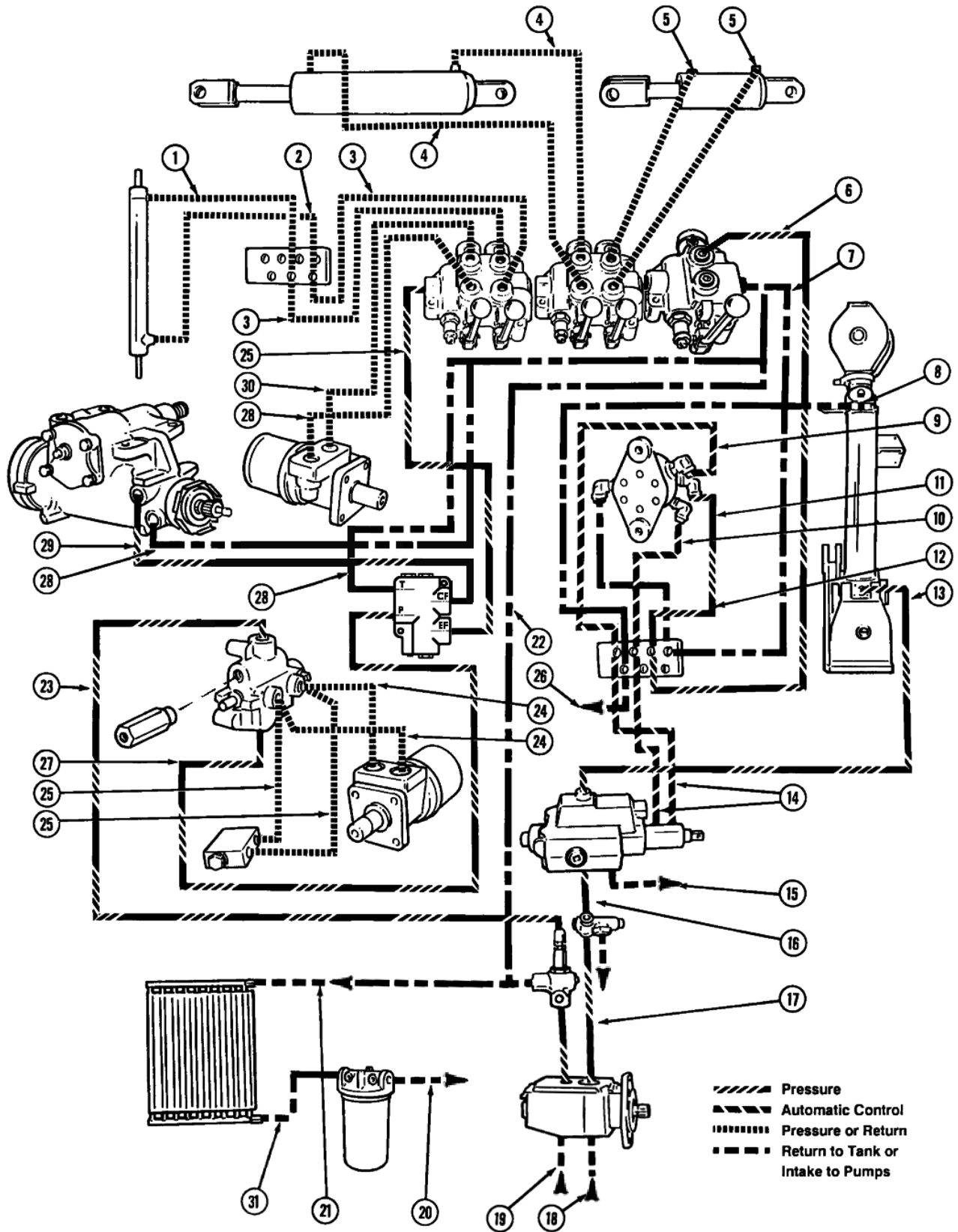
Figure 26  
Hydraulic Components



## Hydraulic Components

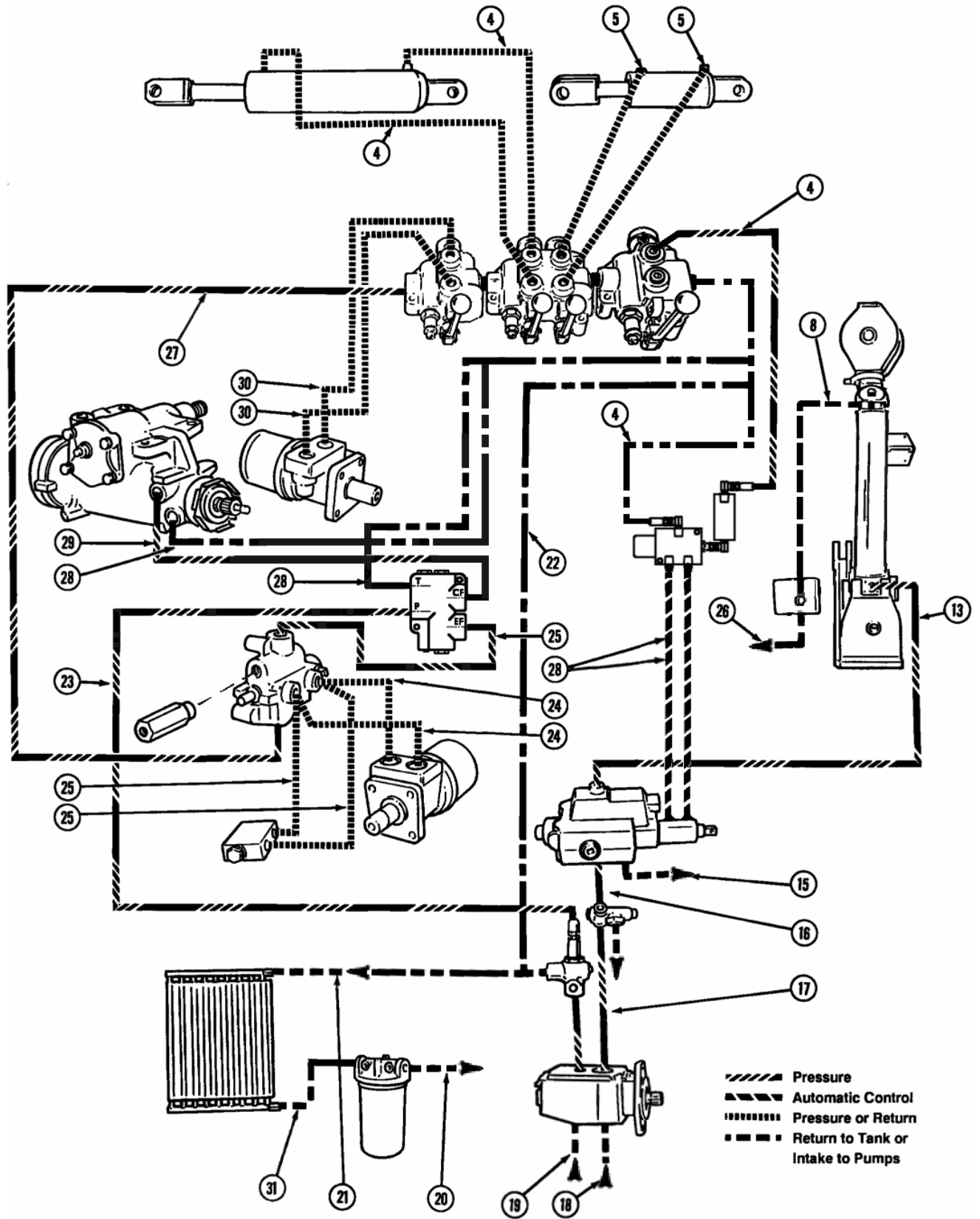
Key No.	Part No.	Qty.	Description	Comments
1	4001659	1	Layback Cylinder	S/N: 6000 - 6209
	4002134	1	Layback Cylinder	S/N: 6210 - . . .
2	4001658	1	Tilt Cylinder	S/N: 6000 - 6104, 6106, 6107, 6109, 6110
	4002133	1	Tilt Cylinder	S/N: 6105, 6108, 6111 - . . .
3	4001968	1	2-Spool Valve	S/N: 6000 - 7049
	4001970	1	1-Spool Valve	Electronic Stroke Option S/N: 6000 -7049
4	4001968	1	2-Spool Valve	S/N: 6000 - 7049
	4001971	1	3-Spool Valve	Cable Adjust Option S/N: 6000 -7049
	4002398	1	3-Spool Valve	Electronic Stroke Option S/N: 7050 - . . .
5	4001967	1	Automatic Valve	S/N: 6000 - 7049
	4002397	1	Automatic Valve	S/N: 7050 - . . .
6	1000076	1	Automatic Cylinder	S/N: 6000 - 7049
	1000105	1	Lift Cylinder	Electronic
7	2000360	1	Pilot Valve	Mechanical Stroke Only
	4001805	1	Solenoid Valve	Electronic Stroke Option
	4001812	1	Oil Filter	Electronic Stroke Option
8	2000383	1	Hammer Valve	
9	4001607	1	Relief Valve	Hydraulic Tank
10	4001969	1	Relief Valve	Hydraulic Pump
11	4001460	1	Double Pump	
12	4001261	1	Hydraulic Filter	
	5000206	1	Replacement Filter	
13	4001181	1	Hydraulic Oil Cooler	
	4001530	12	Rubber Pad	
14	4001915	1	Hydraulic Motor	Side Shift
	4002032	1	Hydraulic Motor	Creeper Drive
15	4001286	1	Relief Valve	S/N: 6000 - 7049
16	4001209	1	Creeper Valve	S/N: 6000 - 7049
	4002408	1	Creeper Valve	S/N: 7050 - . . .
17	5000203	1	Bypass Valve	S/N: 6000 - 7049
18	*****	1	Flow Divider	S/N: 6000 - 6503
	4002188	1	Flow Divider	S/N: 6504 - . . .
19	4001819	1	Power Steering Gear	
20	4001516	1	Remote Stroke Adjust Cylinder	
21	3000923	1	Manifold	Mechanical Stroke or Cable Adjust
22	4001805	1	Solenoid Valve	Electronic Stroke Option
	4001812	1	Filter	Electronic Stroke Option
23	4002380	1	Creeper Bypass	S/N: 7050 - . . .

Figure 27  
Hydraulic Hoses - Mechanical Stroke  
(S/N 6000 - 7033)



Key No.	Part No.	Qty.	Description	Comments
1	4001311	1	1/4 x 64" Hose	Mechanical Stroke Only
2	4001310	1	1/4 x 50" Hose	Mechanical Stroke Only
3	4001305	2	3/8 x 136" Hose	Mechanical Stroke Only
4	4001306	2	3/8 x 40" Hose	
5	4001307	2	3/8 x 130" Hose	
6	4001308	1	3/8 x 118" Hose	Mechanical Stroke Only
7	4001312	1	3/8 x 120" Hose	Mechanical Stroke Only
8	3001324A	1	Tube w/Nuts and Seals	
9	3001298A	1	Tube w/Nuts and Seals	Mechanical Stroke Only
10	3001299A	1	Tube w/Nuts and Seals	Mechanical Stroke Only
11	3001296A	1	Tube w/Nuts and Seals	Mechanical Stroke Only
12	3001297A	1	Tube w/Nuts and Seals	Mechanical Stroke Only
13	4000978A	1	Hose w/O-Rings	
	4001062	2	O-Ring	
14	4001309	2	3/8 x 112" Hose	Mechanical Stroke Only
15	4001318	1	2 x 38" Hose	Mechanical Stroke Only
	4002214	1	1 x 42" Hose	Electronic Stroke Control Option S/N: 6514 - . . .
16	4001605	1	1 x 46" Hose	
17	4001606	1	1 x 72" Hose	
18	4001319	1	2 x 46" Hose	S/N: 6000 - 6594
	4002221	1	1-1/2" x 44" Hose	S/N: 6595 - . . .
19	4001503	1	1-1/4 x 46" Hose	S/N: 6000 - 6594
	4002242	1	1-1/4 x 44" Hose	S/N: 6595 - . . .
20	4001451	1	3/4 x 24" Hose	
21	4001410	1	3/4 x 21" Hose	
22	4001320	1	3/4 x 140" Hose	
23	4001302	1	1/2 x 124" Hose	
24	4002040	2	1/2 x 80" Hose	
25	4001300	3	1/2 x 22" Hose	
26	4001313	1	3/8 x 170" Hose	
27	4001303	1	1/2 X 17" Hose	S/N 6000 - 6503
	4002189	1	1/2 x 40" Hose	S/N: 6504 - . . .
28	4001421	2	3/8 x 30" Hose	
29	4001423	1	3/8 x 24" Hose	
30	4001304	2	1/2 x 63" Hose	
31	4002083	1	3/4 x 46" Hose	

Figure 27a  
 Hydraulic Hoses - Electronic Stroke  
 (S/N 6000 - 7049)

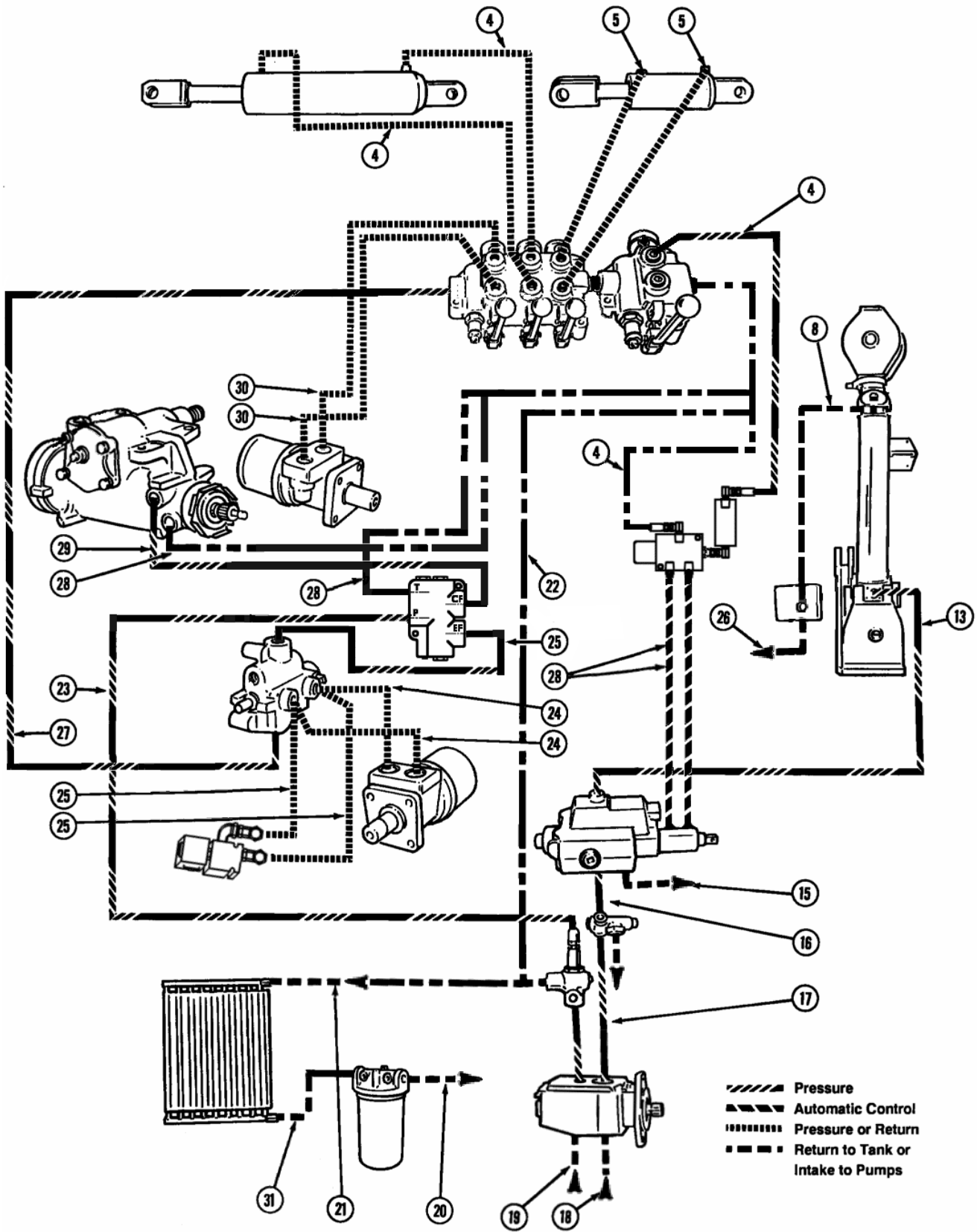


**Hydraulic Hoses - Electronic Stroke**  
(S/N 6000 - 7049)

Key No.	Part No.	Qty.	Description	Comments
1				
2				
3				
4	4001306	4	3/8 x 40" Hose	
5	4001307	2	3/8 x 130" Hose	
6				
7				
8	3001324A	1	Tube w/Nuts and Seals	
9				
10				
11				
12				
13	4000978A	1	Hose w/O-Rings	
	4001062	2	O-Ring	
14				
15				
	4002214	1	1 x 42" Hose	Electronic Stroke Control Option S/N: 6514 - . . .
16	4001605	1	1 x 46" Hose	
17	4001606	1	1 x 72" Hose	
18	4001319	1	2 x 46" Hose	S/N: 6000 - 6594
	4002221	1	1-1/2" x 44" Hose	S/N: 6595 - . . .
19	4001503	1	1-1/4 x 46" Hose	S/N: 6000 - 6594
	4002242	1	1-1/4 x 44" Hose	S/N: 6595 - . . .
20	4001451	1	3/4 x 24" Hose	
21	4001410	1	3/4 x 21" Hose	
22	4001320	1	3/4 x 140" Hose	
23	4001302	1	1/2 x 124" Hose	
24	4002040	2	1/2 x 80" Hose	
25	4001300	3	1/2 x 22" Hose	
26	4001313	1	3/8 x 170" Hose	
27	4001303	1	1/2 X 17" Hose	S/N 6000 - 6503
	4002189	1	1/2 x 40" Hose	S/N: 6504 - . . .
28	4001421	4	3/8 x 30" Hose	
29	4001423	1	3/8 x 24" Hose	
30	4001304	2	1/2 x 63" Hose	
31	4002083	1	3/4 x 46" Hose	



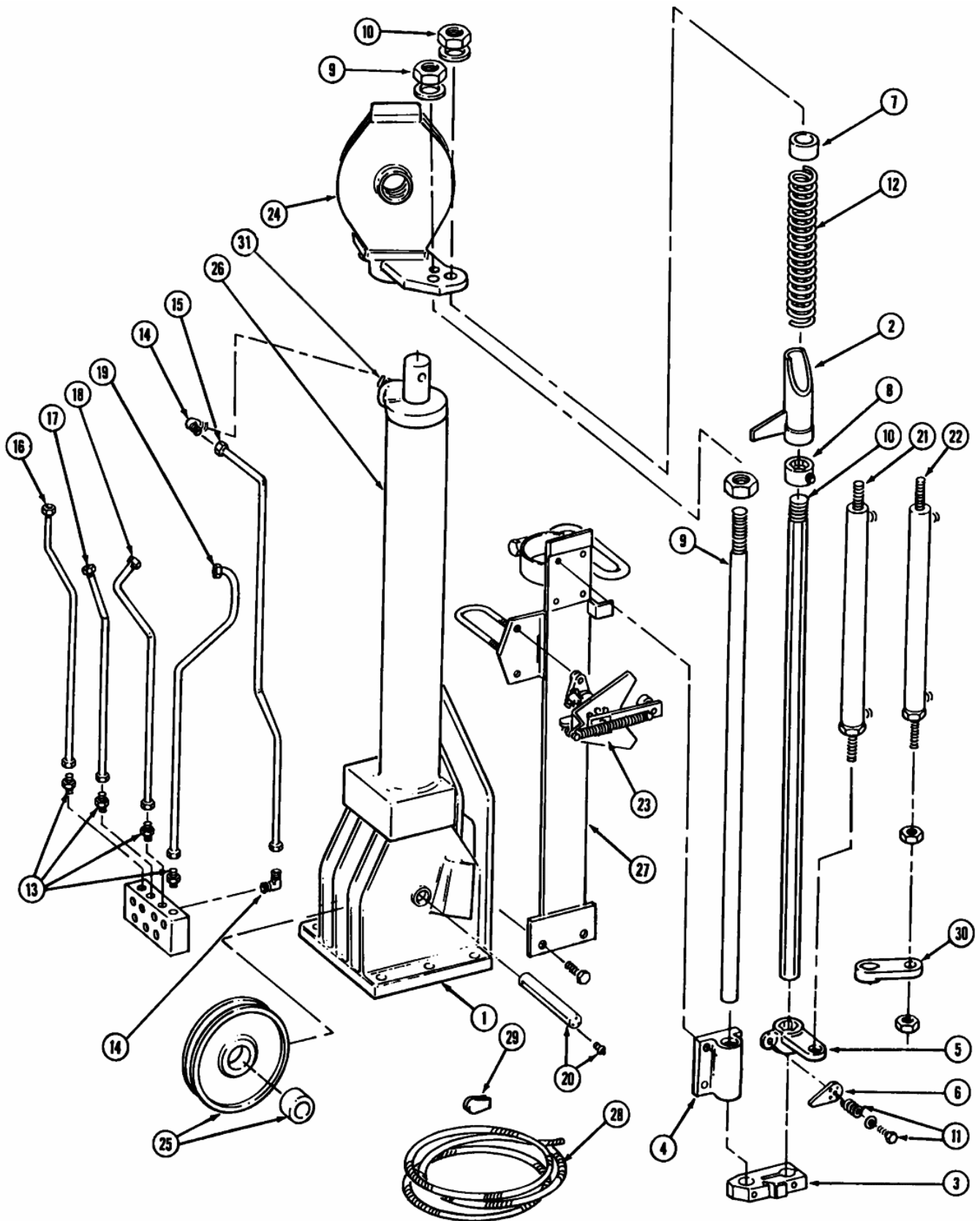
Figure 27b  
 Hydraulic Hoses - Electronic Stroke  
 (S/N 7050 - ...)



**Hydraulic Hoses - Electronic Stroke**  
(S/N 7050 - ...)

Key No.	Part No.	Qty.	Description	Comments
1				
2				
3				
4	4001306	4	3/8 x 40" Hose	
5	4001307	2	3/8 x 130" Hose	
6				
7				
8	3001324A	1	Tube w/Nuts and Seals	
9				
10				
11				
12				
13	4000978A	1	Hose w/O-Rings	
	4001062	2	O-Ring	
14				
15				
	4002214	1	1 x 42" Hose	Electronic Stroke Control Option S/N: 6514 - ...
16	4001605	1	1 x 46" Hose	
17	4001606	1	1 x 72" Hose	
18	4002221	1	1-1/2" x 44" Hose	S/N: 6595 - ...
19	4002242	1	1-1/4 x 44" Hose	S/N: 6595 - ...
20	4001451	1	3/4 x 24" Hose	
21	4001410	1	3/4 x 21" Hose	
22	4001320	1	3/4 x 140" Hose	
23	4001302	1	1/2 x 124" Hose	
24	4002040	2	1/2 x 80" Hose	
25	4001300	3	1/2 x 22" Hose	
26	4001313	1	3/8 x 170" Hose	
27	4002385	1	1/2 x 30" Hose	S/N: 7050 - ...
28	4001421	4	3/8 x 30" Hose	
29	4001423	1	3/8 x 24" Hose	
30	4001304	2	1/2 x 63" Hose	
31	4002083	1	3/4 x 46" Hose	

Figure 28  
Automatic Cylinder

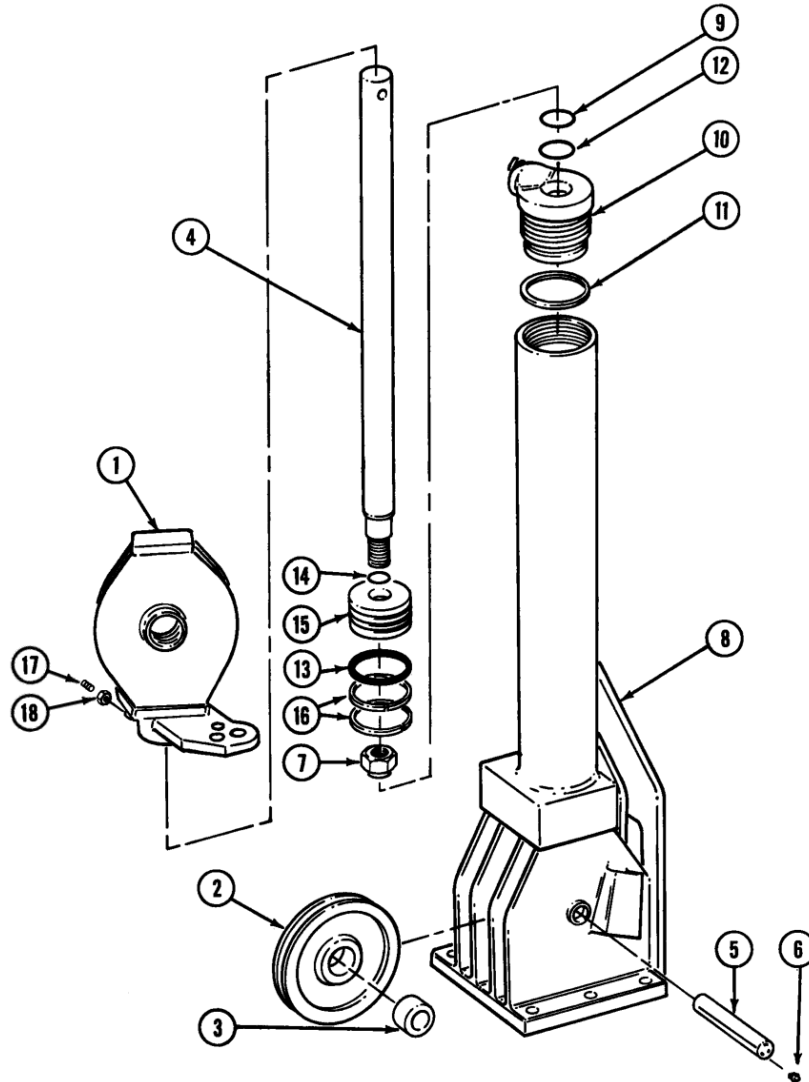


Automatic Cylinder

Key No.	Part No.	Qty.	Description	Comments
1	1000076	1 *	Automatic Cylinder	Items 2-21, 23-27
	1000105	1	Lift Cylinder, Elect. Stroke	Items 4, 9, 14, 15, 20 & 24-27
	1000119	1	Auto Cylinder w/Cable Adjust.	Items 2-7, 9-27, 30
2	2000364	1 *	Upper Trip Finger	
3	2000290A	1 *	Guide Rod Spacer w/Hardware	
4	3001291A	1	Guide Rod Bearing w/Grease Fit	
5	2000366A	1 *	Trip Finger Collar w/Detent Balls	
	4000490	2 *	Detent Ball	
6	3001288	1 *	Lower Trip Finger	
7	3001313	1 *	Hex Rod Spacer	
8	2000365	1 *	Hex Collar w/Hardware	
9	3001290	1	Round Guide Rod	
	5550025	2	1" - 14 Hex Nut	
	5555212	1	1" Lock Washer	
10	3001292	1 *	Hex Guide Rod	
	5550021	1 *	3/4" - 16 Hex Nut	
	5555211	1 *	3/4" Lock Washer	
11	4001196	1 *	Spring	
	3000401	1 *	Spring Washer	
	5540210	1 *	3/8" - 16 x 2-1/4" Bolt	
	5550612	1 *	3/8" - 16 Jam Nut	
12	4001202	1 *	Spring	
13		*	Brass Tube Fitting	S/N: 6000 - 6916 - R/B 4002304
	5000547	*	Seal Only for Brass Nut	S/N: 6000 - 6916
	5000548	*	Brass Nut Only	S/N: 6000 - 6916
	4002304	4 *	Steel Tube Fitting	S/N: 6917 - ...
	5000838	4 *	Seal Only	S/N: 6917 - ...
	5000839	4 *	Steel Nut Only	S/N: 6917 - ...
14		2	Brass Elbow	S/N: 6000 - 6916 - R/B 4002303
	5000547	2	Seal Only	S/N: 6000 - 6916
	5000548	2	Nut Only	S/N: 6000 - 6916
	4002303	2	Steel Elbow	S/N: 6917 - ...
	5000838	2	Seal Only	S/N: 6917 - ...
	5000839	2	Steel Nut Only	S/N: 6917 - ...
15	3001324A	1	Tube w/ Brass Nuts and Seals	
	3001298S	1 *	Tube w/ Steel Nuts and Seals	
16	3001298A	1 *	Tube w/ Brass Nuts and Seals	
	3001298S	1 *	Tube w/ Steel Nuts and Seals	
17	3001299A	1 *	Tube w/ Brass Nuts and Seals	
	3001299S	1 *	Tube w/ Steel Nuts and Seals	
18	3001296A	1 *	Tube w/ Brass Nuts and Seals	
	3001296S	1 *	Tube w/ Steel Nuts and Seals	
19	3001297A	1 *	Tube w/ Brass Nuts and Seals	
	3001297S	1 *	Tube w/ Steel Nuts and Seals	
20	3000474A	2	Sheave Pin w/Grease Fittings	
	4000354	6	Grease Fitting	
21	4001516	1 *	Remote Stroke Adjust Cylinder	
	5000414	1 *	Seal Kit for 4001516 & 4001573	
	5000412	1 *	Piston Rod	
22	4001573	1 *	Cable Adjust Cylinder	Cable Adjust Option Only
	5000450	1 *	Piston Rod	
23	2000360	1 *	Pilot Valve	
24	2000359	1	Upper Sheave Housing	
25	2000100	6	Lift Cylinder Sheave w/Bearing	
	3001329	6	Sheave Only	
	4000256	6	Bearing Only	
26	2000358	1 *	Lift Cylinder	
	2000643	1	Lift Cylinder	Electronic Control Option
27	2000363	1	Attachment Bracket	
28	4001024	1	3/8" x 51" Cable	Fiber Center
	2000616	1	3/8" x 250' Cable on Spool	
29	3001248	1	Cable Wedge	
30	2000243	1	Cable Adjust Finger	Cable Adjust Option Only
31	4001877	1	3/8-90 Street Elbow	

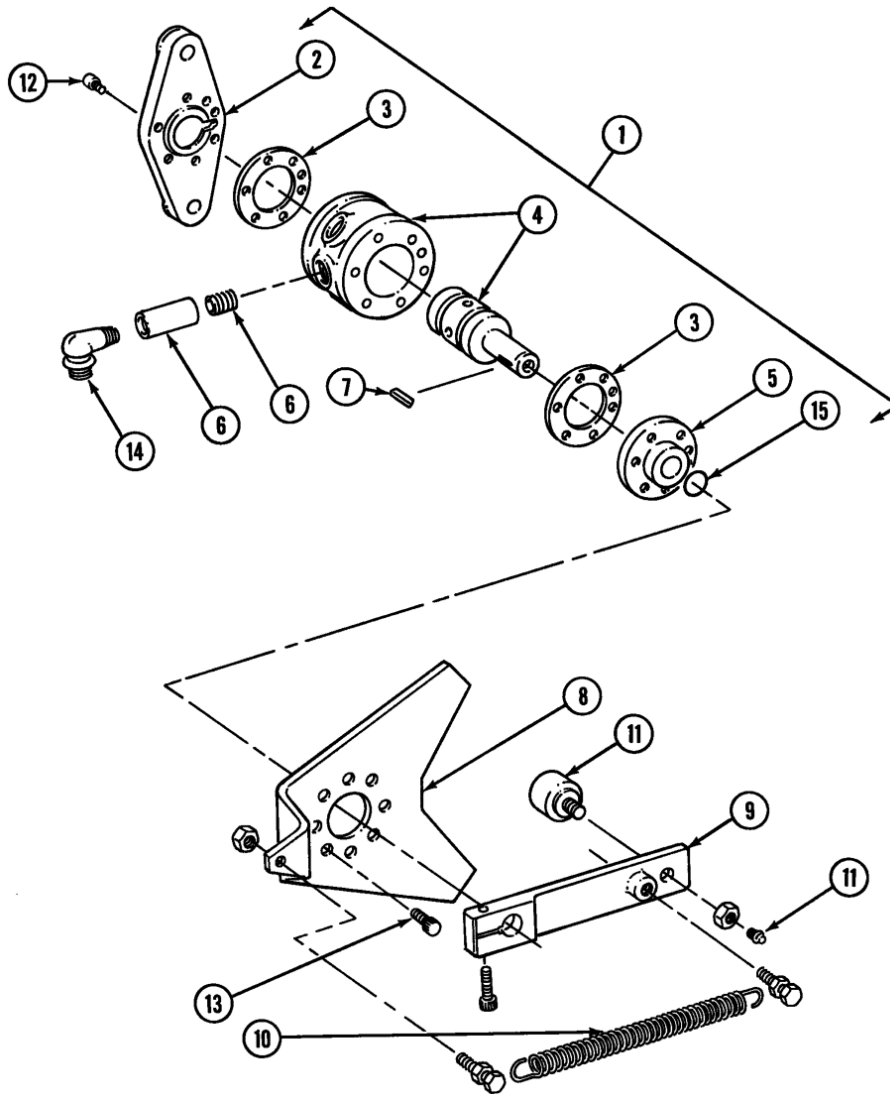
..... \* Used on Mechanical Stroke Only .....

Figure 29  
Hammer Lift Cylinder



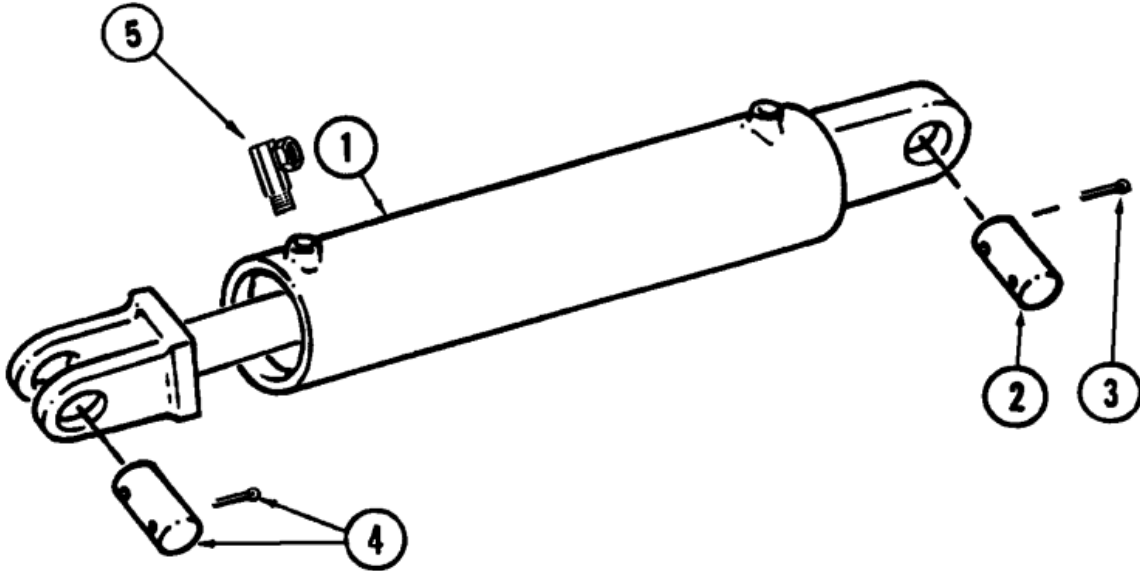
Key No.	Part No.	Qty.	Description	Comments
1	2000359	1	Upper Sheave Housing	
2	3001329	6	Sheave Only	
3	4000256	6	Bearing Only	
	2000100	1	Sheave w/Bearing	
4	3001321	1	Piston Rod	
5	3000474A	2	Sheave Pin w/Grease Fitting	
6	4000354	6	Grease Fitting	
7	4001207	1	Piston Nut	
8	2000358	1	Lift Cylinder and Base	Mechanical Stroke - Items 4, 7, 8, 10, 15
	2000643	1	Lift Cylinder and Base	Electronic Stroke - Items 4, 7, 8, 10, 15
9	4000807	1	Wiper	
10	3001325	1	Cylinder Nut	
11	4001092	1	O-Ring	
12	4001927	1	Seal	
13	4002005	1	Seal	
14	4001059	1	O-Ring	
15	3001322	1	Piston	
16	4000806	2	Piston Ring	
17	5530894N	1	Set Screw	
18	5550616	1	Jam Nut	
	5000665	1	Seal Kit	Items 9, 11, 12, 13, 14 & 16

Figure 30  
Pilot Valve



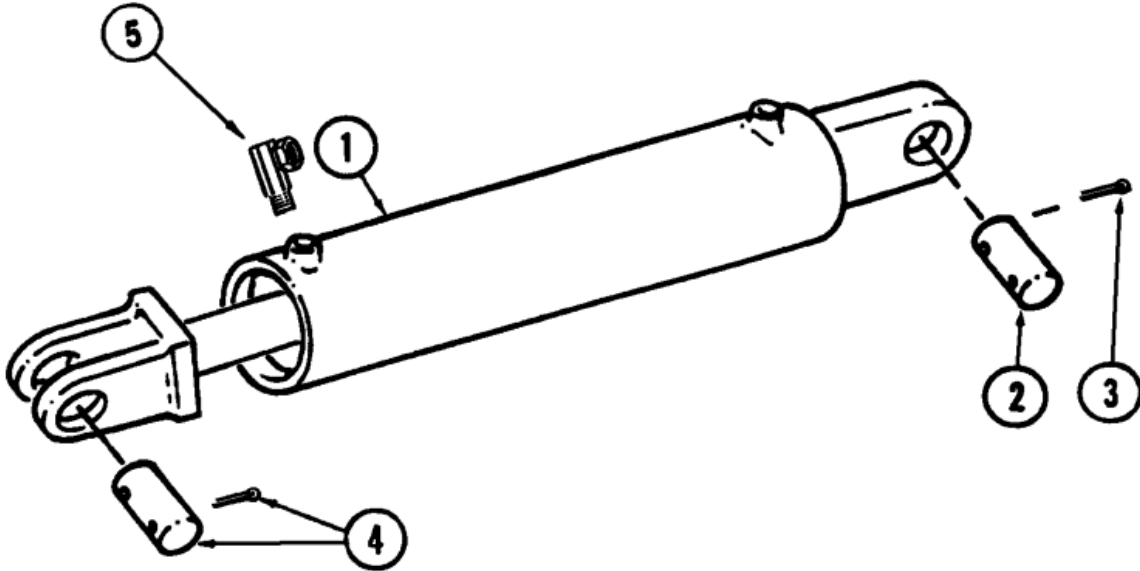
Key No.	Part No.	Qty.	Description	Comments
1	2000360	1	Pilot Valve	
2	3001271	1	Valve Base	
3	3000410	2	Gasket	
4	2000612	1	Valve Body and Spool	
5	3001273	1	Valve Cap	
6	4001879	1	Coupling	
	4001861	1	Nipple	
7	4000492	1	Woodruff Key	
8	3001275	1	Valve Bracket	
9	3000846A	1	Trip Lever w/Bolt	
10	4000841	1	Trip Lever Spring	
11	2000362	1	Cam Follower w/Grease Fitting	
	4000169	1	Grease Fitting	
12	5000645	1	#10 x 5/8" Socket Cap Screw	Set of 6
13	5000647	1	#10 x 7/8" Cap Screw & Lockwasher	Set of 6
14		-	Brass Elbow w/Nut and Seal	S/N: 6000 - 6916 - R/B 4002307
	5000547	-	Seal Only for Brass Nut	S/N: 6000 - 6916
	5000548	-	Brass Nut Only	S/N: 6000 - 6916
14	4002307	4	Steel Elbow w/Nut and Seal	S/N: 6917 - . . .
	5000838	4	Seal Only	S/N: 6917 - . . .
	5000839	4	Steel Nut Only	S/N: 6917 - . . .
15	4001043	1	O-Ring	

Figure 31  
Tilt Cylinder



Key No.	Part No.	Qty.	Description	Comments
1	*****	1	Tilt Cylinder	S/N: 6000 - 6104, 6106, 6107, 6109, 6110
	5000529	1	Tilt Cylinder Seal Kit	
	4002133	1	Tilt Cylinder	S/N: 6105, 6108, 6111 - . . .
	5000764	1	Tilt Cylinder Seal Kit	
2	3002342	1	Pin	
3	5556691	2	1/4" x 2-1/4" Cotter Pin	
4	4001531	1	Pin	
	5556692	2	1/4" x 2-1/2" Cotter Pin	
5	4001290	2	3/8-90° Swivel	

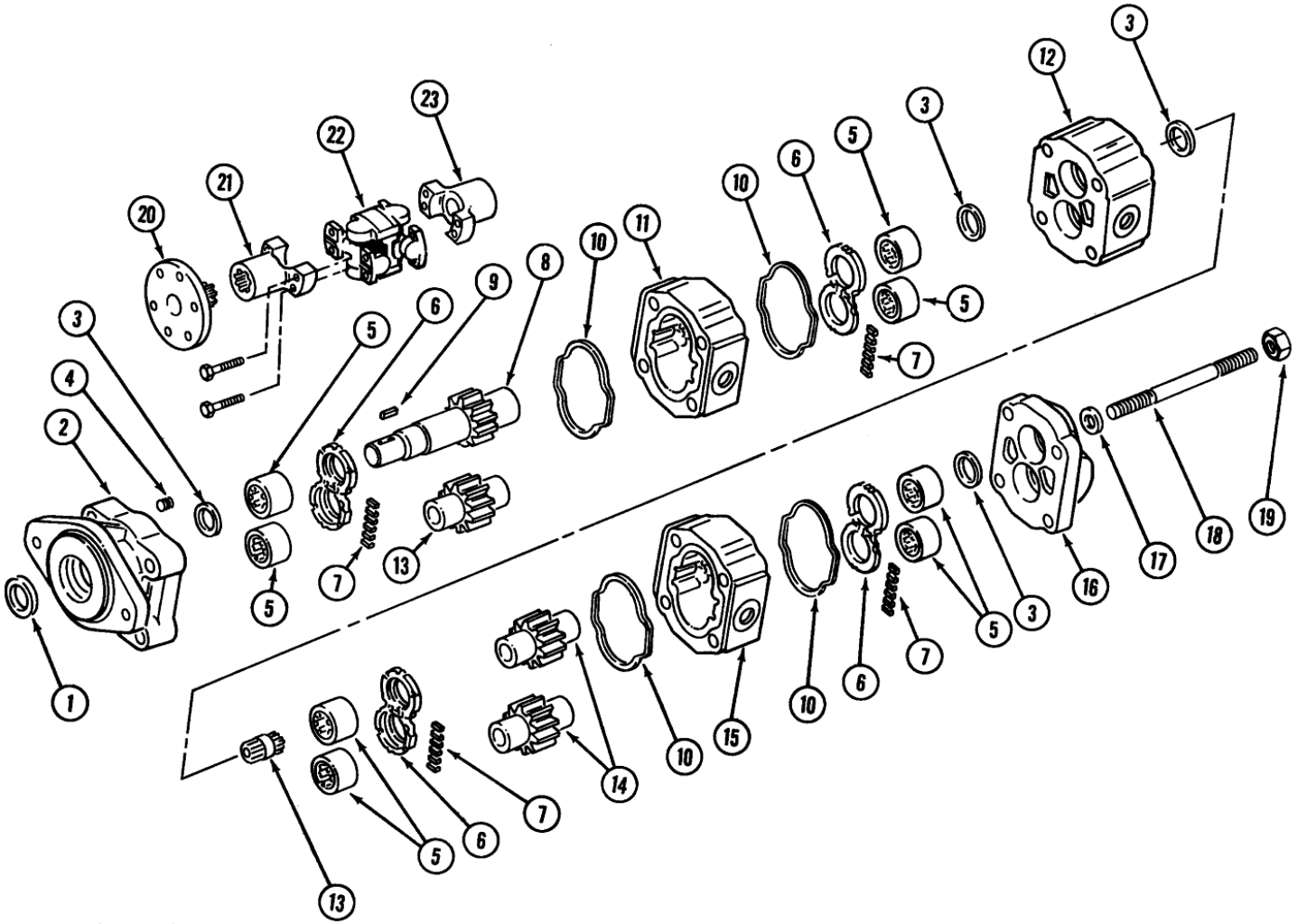
Figure 32  
Layback Cylinder



Key No.	Part No.	Qty.	Description	Comments
1	*****	1	Layback Cylinder	S/N: 6000 - 6209
	5000535	1	Layback Cylinder Seal Kit	
	4002134	1	Layback Cylinder	S/N: 6210 ...
	5000765	1	Layback Cylinder Seal Kit	
2	3002342	1	Pin	
3	5556691	2	1/4 x 2-1/4" Cotter Pin	
4	4001531	1	Pin	
	5556692	2	1/4" x 2-1/2" Cotter Pin	
5	4000224	2	3/8-90° Restrictor Swivel	



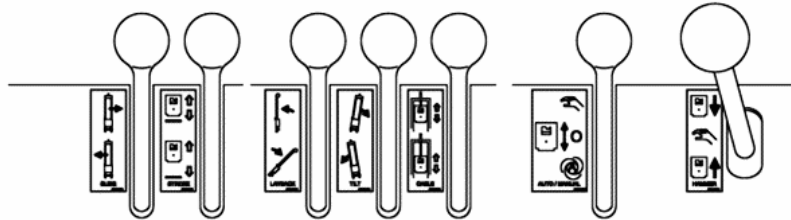
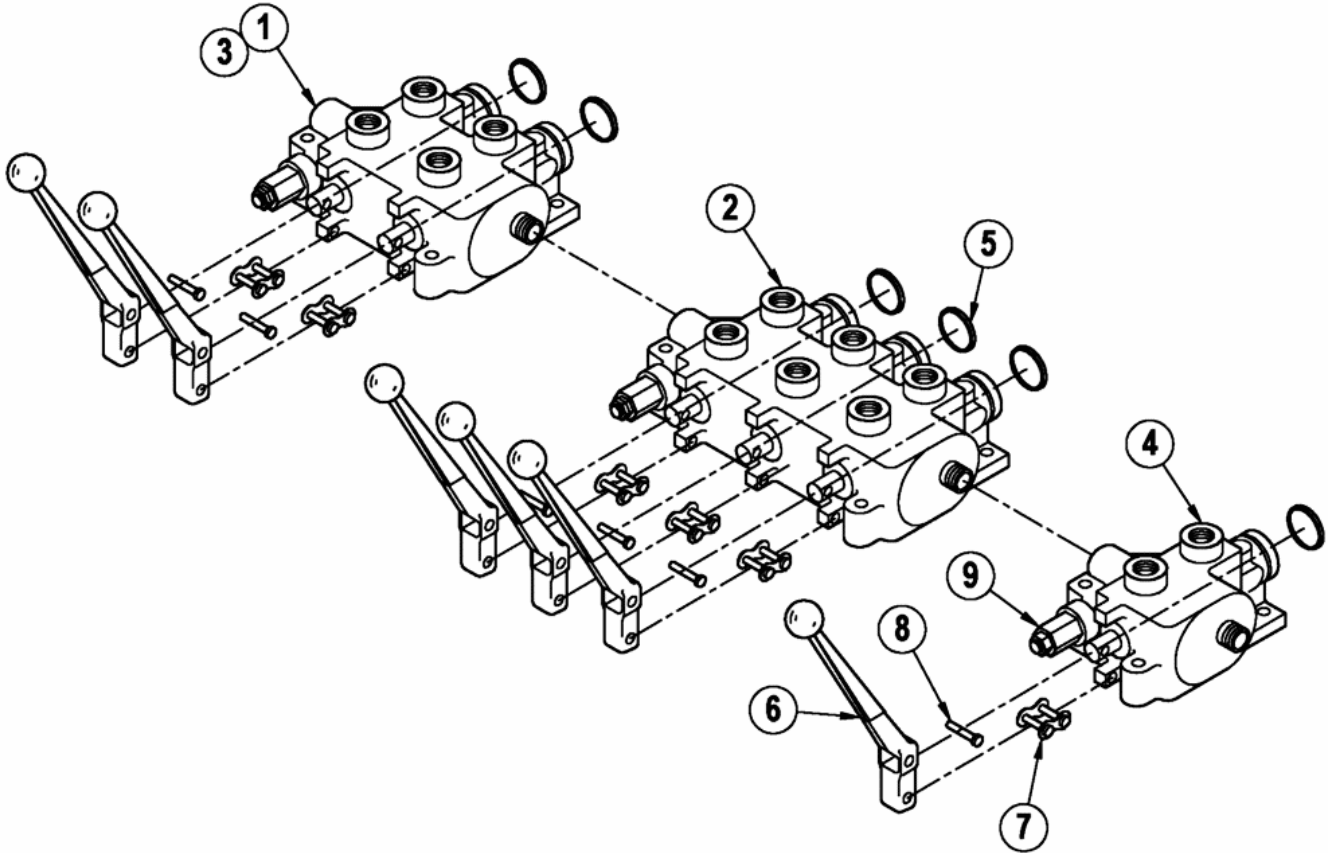
Figure 33  
Hydraulic Pump



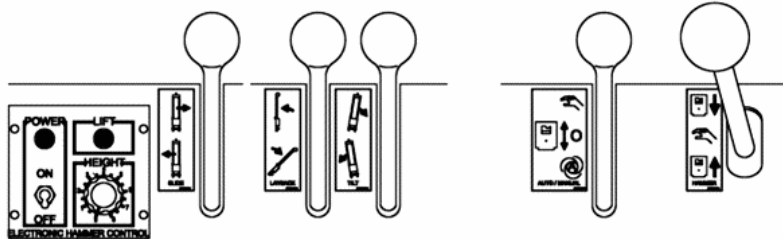
## Hydraulic Pump

Key No.	Part No.	Qty.	Description	Comments
	4001460	1	Hydraulic Double Pump	
	5000542	1	Seal Kit	Includes items: 1, 7 & 10
1	5000425	1	Double Lip Seal	
2	5000426	1	Shaft End Cover	
3	5000427	4	Ring Seals	
4	5000428	1	Plug	
5	5000429	8	Roller Bearings	
6	5000430	4	Thrust Plates	
7	5000431	2	Pocket Strip	
8	5000432	1	Integral Shaft & Gear	
9	5000433	1	Key	
10	5000434	4	Gasket Seals	
11	5000435	1	Gear Housing	
12	5000436	1	Bearing Carrier	
13	5000437	1	Connecting Shaft	
14	5000438	1	Matched Gears	
15	5000439	1	Gear Housing	
16	5000440	1	Port End Cover	
17	5000441	4	Washers	
18	5000442	4	Studs	
19	5000443	4	Hex Nuts	
20	2000895A	1	Pump Adapter w/ Hardware	
21	4001020	1	Splined Yoke	
22	4001022A	1	Double U-Joint w/Screws	
23	4001472A	1	Keyed Yoke w/Set Screw	

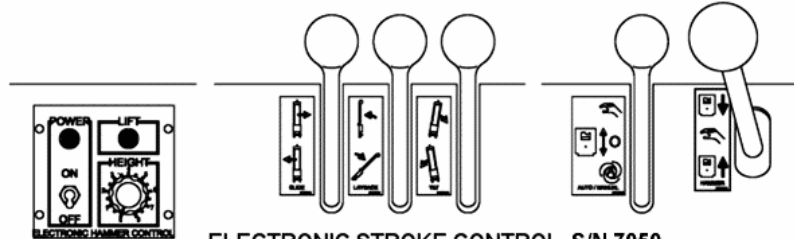
Figure 34  
Control Valves



MECHANICAL STROKE CONTROL WITH CABLE ADJUST S/N 6000 - 7049



ELECTRONIC STROKE CONTROL S/N 6000 - 7049



ELECTRONIC STROKE CONTROL S/N 7050 - ...

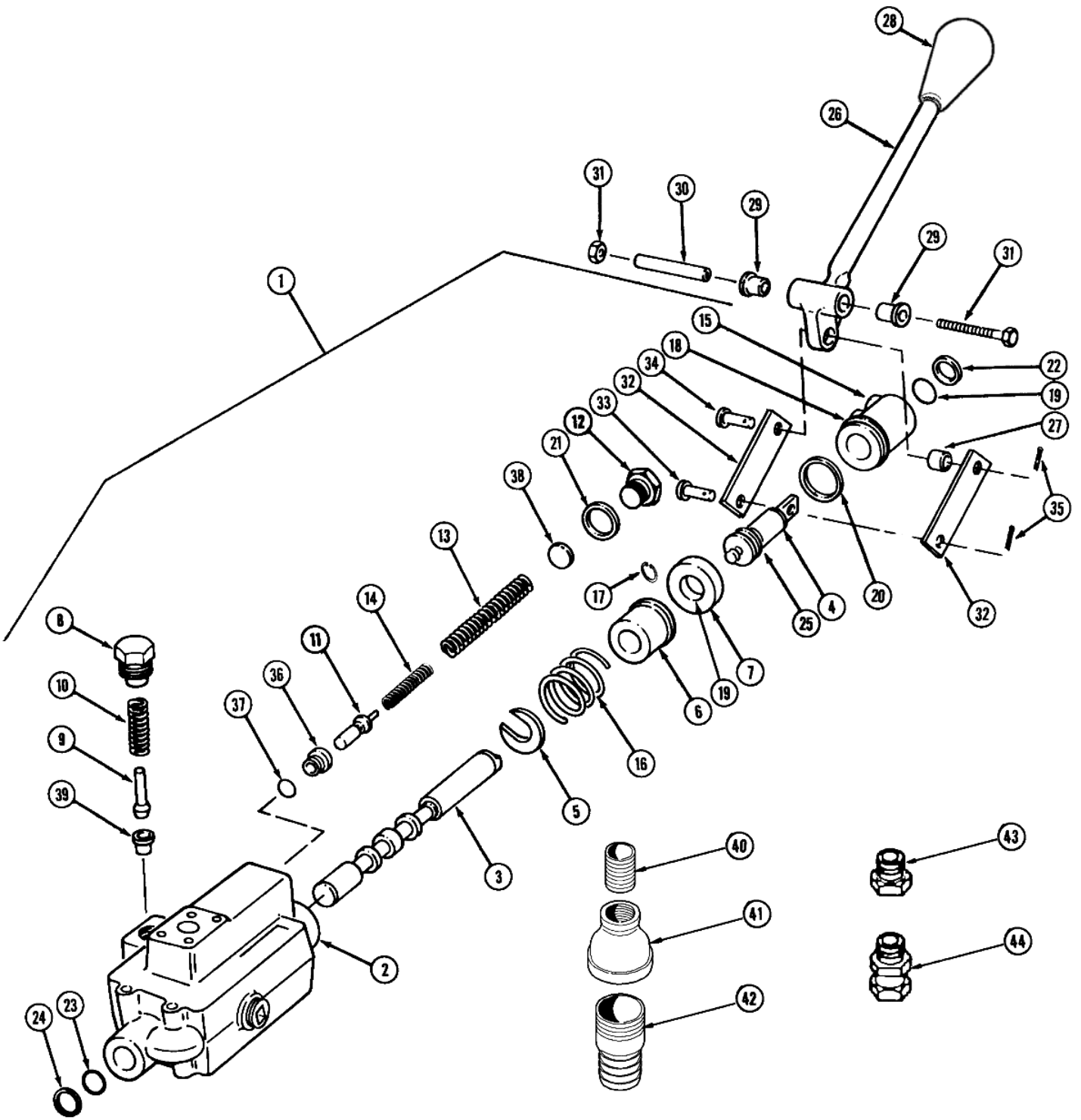
## Control Valves S/N 6000 - 7049

Key No.	Part No.	Qty.	Description	Comments
1	4001968	2	2-Spool Valve	
2	4001971	1	3-Spool Valve	Cable Adjust Option
3	4001970	1	1-Spool Valve	Electronic Stroke
4	4001967	1	Automatic Valve	
5	5000230	2	Spool Seal - Two Per Spool	
6	5000245	1	Handle	
7	5000229	1	Handle Link	
8	5000256	1	Handle Pin	
9	5000832	1	Relief Valve Seal Kit	

## Control Valves S/N 7050 - . . .

Key No.	Part No.	Qty.	Description	Comments
2	4002398	1	3-Spool Valve	
	5000587	1	Relief Valve for 4002398	
4	4002397	1	Automatic Valve	
	5000858	1	Relief Valve for 4002397	
5	5000850	1	Spool Seal	
6	5000852	1	Handle	
7	5000853	1	Handle Link w/ Pin	
8	---	1	Handle Pin - See Item 7	

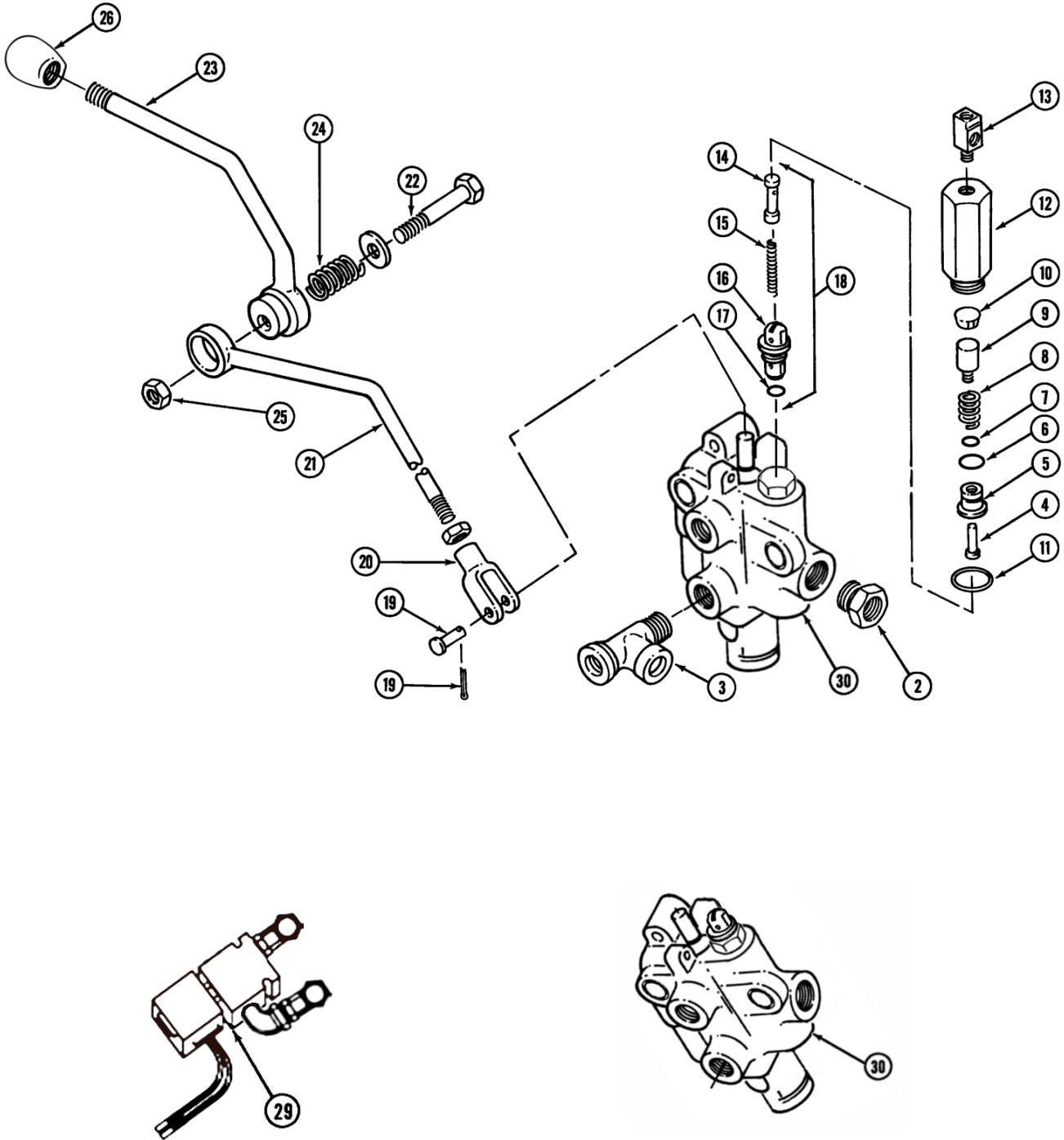
Figure 35  
Hammer Control Valve



## Hammer Control Valve

Key No.	Part No.	Qty.	Description	Comments
1	2000383	1	Hammer Control Valve	Handle and Linkage not included
	5000335	1	Seal Kit	Items 19-25 & 37
2	*****	1	Valve Body	
3	*****	1	Spool	
4	3001342	1	Servo Spool	
5	3001333	1	C-Washer	
6	3001334	1	Stop Sleeve	
7	3001174	1	Spool Guide	
8	3001999	1	Check Valve Plug, SAE 16	
	4001895	1	O-Ring	
9	3001335	1	Check Valve	
10	4001216	1	Check Valve Spring	
11	3001337	1	Relief Valve	
12	3001998	1	Relief Value Nut, SAE 14	
13	4001217	1	Outer Spring	
14	4001218	1	Inner Spring	
15	3001331	1	Servo Cylinder	
16	4001219	1	Valve Spool Spring	
17	4001212	1	Snap Ring	
18	4001213	1	Snap Ring	
19	4002308	2	Quad-Ring	
20	4001068	2	O-Ring	
21	4001894	1	O-Ring	
22	4001954	1	Oil Seal	
23	4002302	1	Quad-Ring	
24	4001955	1	Oil Seal	
25	4001220	1	Servo Piston Ring	
26	2000268	1	Valve Handle w/Bushing	S/N 6000 - 7049
	2000270	1	Valve Handle w/Bushing	S/N 7050 - . . .
27	4000796	1	Bushing	
28	4002224	1	Tapered Knob	
29	4000777	2	Nylon Bushing	
30	3001230	1	Shaft	
31	5540469	1	1/2 - 20 x 5" Bolt	
	5550417	1	1/2 - 20 Lock Nut	
32	3001330	2	Handle Link	
33	4001160	1	7/16 Clevis Pin	
34	4001362	1	5/8 Clevis Pin	
35	5556536	2	3/32 x 1" Cotter Pin	
36	3001343	1	Relief Valve Seat	
37	4001044	1	O-Ring	
38	3001344	1	Pressure Adjusting Shim	
39	3002006	1	Threaded Seat	
40	4001869	1	1-1/4" Close Nipple	
41	4001856	1	2" x 1-1/4" Bell Reducer	
42	4001273	1	2" Hose Nipple	
	2000667	1	2" Restricted Hose Nipple	Electronic Stroke Control S/N: 6000 - 6513
43	4002212	1	1-1/4" x 1" Reducer Bushing	Electronic Stroke Control S/N: 6514 - . . .
44	4000894	1	1" Straight Swivel	Electronic Stroke Control S/N: 6514 - . . .

Figure 36  
Creeper and Bypass Valve

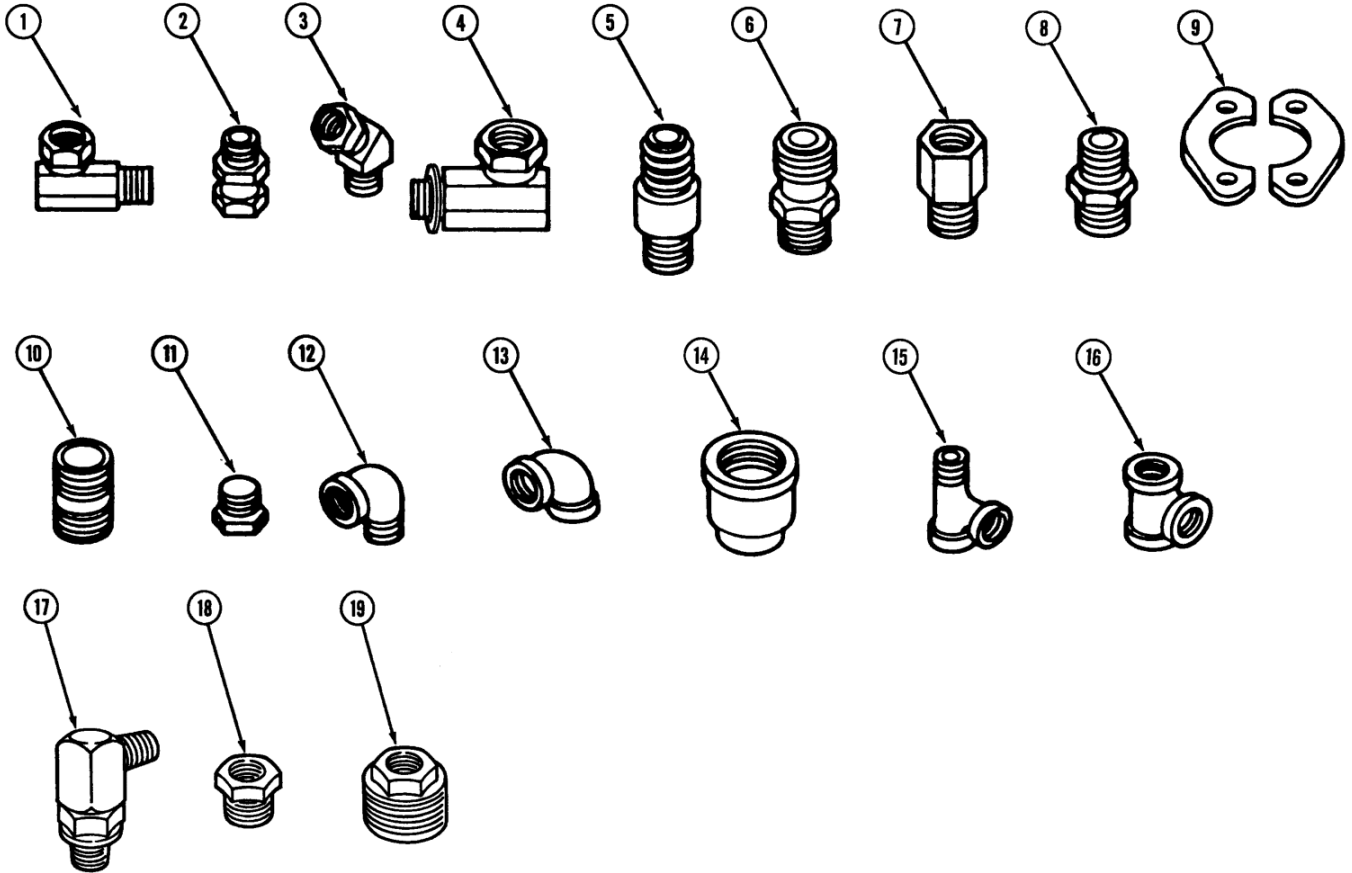


## Creeper and Bypass Valve

Key No.	Part No.	Qty.	Description	Comments
1	4001209	1	Creeper Valve	S/N 6000 - 7049
	2000594	1	Valve Assembly	Items 1-17 S/N 6000 - 7049
2	4001857	2	3/4" x 1/2" Reducer	
3	4001873	2	1/2" Street Tee	
4	2000373	1	Plunger	S/N 6000 - 7049
5	3001316	1	Cylinder Head	S/N 6000 - 7049
6	4001042	1	Outer O-Ring	S/N 6000 - 7049
7	4001034	1	Inner O-Ring	S/N 6000 - 7049
8	4001198	1	Large Spring	S/N 6000 - 7049
9	3001317	1	Piston	S/N 6000 - 7049
10	4001197	1	Piston Cup	S/N 6000 - 7049
11	4001201	1	Seal	S/N 6000 - 7049
12	3001318	1	Bypass Cylinder	S/N 6000 - 7049
	5000203	1	Bypass Valve	Items 4-10, 12 S/N 6000 - 7049
	2000372	1	Bypass Assembly	Items 4-17 S/N 6000 - 7049
13	4001200	1	Brake Line Tee	S/N 6000 - 7049
14	*****	1	1/2" Spool	S/N 6000 - 7049
15	4001199	1	Small Spring	S/N 6000 - 7049
16	*****	1	1/2" Cylinder	S/N 6000 - 7049
17	4001043	1	O-Ring	S/N 6000 - 7049
18	5000202	1	Cylinder Assembly	Items 14-18 S/N 6000 - 7049
19	4000535	1	Clevis Pin	
	5556536	1	3/32 x 1" Cotter Pin	
20	4750133	1	Clevis	
21	2000080	1	Control Rod	S/N 6000-7049
	2000962	1	Control Rod	S/N 7050-...
	5550617	1	1/2" - 20 Jam Nut	
22	5540446	1	1/2" - 20 x 3-3/4" Bolt	
23	2000375	1	Control Handle	
24	4001204	1	Spring	
25	5550417	1	1/2" - 20 Lock Nut	
26	4001206	1	Ball Knob	
27	5000230	2	Spool Seal	S/N 6000 - 7049
28	5000338	1	Creeper Valve Seal Kit	Items 6, 11, 17, 27 S/N 6000 - 7049
29	4002380	1	Creeper Bypass Valve	S/N 7050 - ...
30	4750177	1	Creeper Valve	S/N 7050 - ...
	5000586	1	Relief Valve for 4750177	



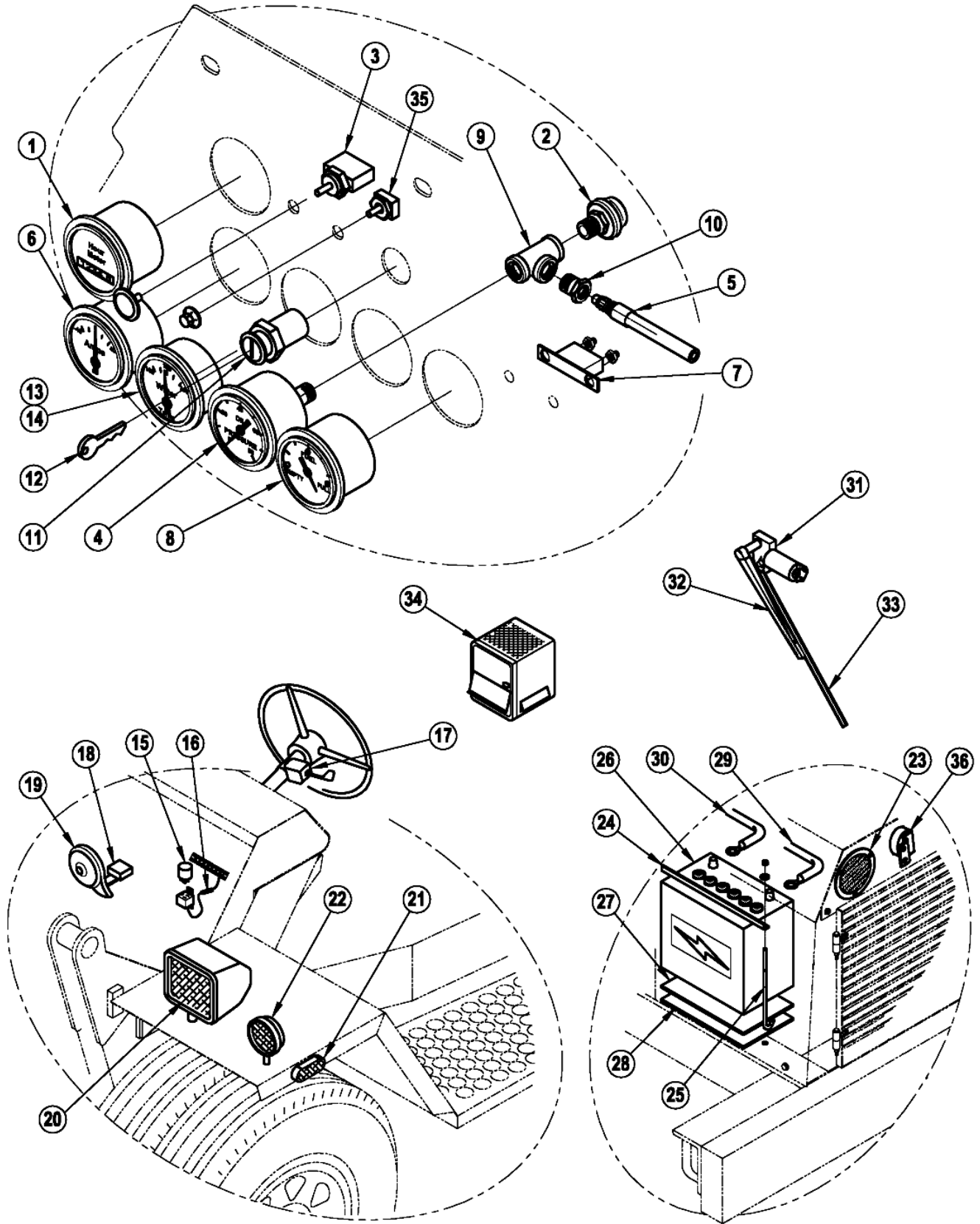
Figure 37  
Hydraulic Fittings



## Hydraulic Fittings

Key No.	Part No.	Qty.	Description	Comments
1	4000064		1/4" - 90° Swivel	
	4001806		1/4" x 3/8" - 90° Swivel	
	4001293		3/8" x 1/4" - 90° Swivel	
	4001290		3/8" - 90° Swivel	
	4000224		3/8" - 90° Restrictor	For layback cylinder
	4000347		1/2" x 3/8" - 90° Swivel	
	4000122		1/2" - 90° Swivel	
	4000448		3/4" - 90° Swivel	
2	4001296		1/4" x 3/8" Swivel	
	4000748		3/8" Swivel	
	4000392		1/2" x 3/8" Swivel	
	4000260		1/2" Swivel	
	4000772		3/4" Swivel	
	4000894		1" Swivel	
3	4001547		1/2" - 45° Swivel	
	4001494		3/4" - 45° Swivel	
	4001404		1" - 45° Swivel	
4	4001289		1" - 90° Swivel	
5	4001272		1-1/4" Hose Nipple	
	4001273		2" Hose Nipple	
	4002223		Hose Nipple	S/N: 6593, 6594, 6596 - . . .
6	4001550		1-1/4" Hose Nipple	
	2000418		2" Hose Nipple	
	4002222		1-1/2" Hose Adapter	S/N: 6593, 6594, 6596 - . . .
7	4001492		3/4" Adapter	
	4001488		1" Adapter	
8	4001489		1-1/4" Adapter	
9	4001288		Split Flange Half	
10	4001860		1/8" x 2" Nipple	
	4001861		1/4" Close Nipple	
	4001863		3/8" Close Nipple	
	4001600		1/2" Close Nipple	
	4001864		1/2" x 2" Nipple	
	4001865		1/2" x 3" Nipple	
	4001866		3/4" Close Nipple	
	4001867		3/4" x 1-3/4" Nipple	
	4001868		1" Close Nipple	
	4001869		1-1/4" Close Nipple	
	4001596		2" x 4" Nipple	
11	4001881		1/8" Plug	
	4001884		1/4" Plug	
	4001882		1/2" Plug	
	4001889		1/2" x 3/8" Hex Bushing	
12	4001568		1/4" - 90° Street Elbow	
	4001877		3/8" - 90° Street Elbow	
	4001548		3/4" - 90° Street Elbow	
	4001878		1-1/4" - 90° Street Elbow	
13	4001875		1/4" - 90° Elbow	
	4001876		1/2" - 90° Elbow	
	4001543		1" x 1-1/4" - 90° Elbow	
	4001597		2" - 90° Elbow	
14	4001856		2" x 1-1/4" Bell Reducer	
15	4001873		1/2" Street Tee	
	4001549		3/4" Street Tee	
	4001874		2" Street Tee	
16	4001870		1/8" Tee	
	4001871		1/2" Tee	
	4001599		3/4" x 3/4" x 1/2" Tee	
17	4002023		1/2" - 90° Swivel	
18	4001857		3/4" x 1/2" Hex Bushing	
19	4001858		2" x 1" Hex Bushing	
	4002225		2" x 1-1/2" Hex Bushing	S/N: 6593, 6594, 6596 - . . .

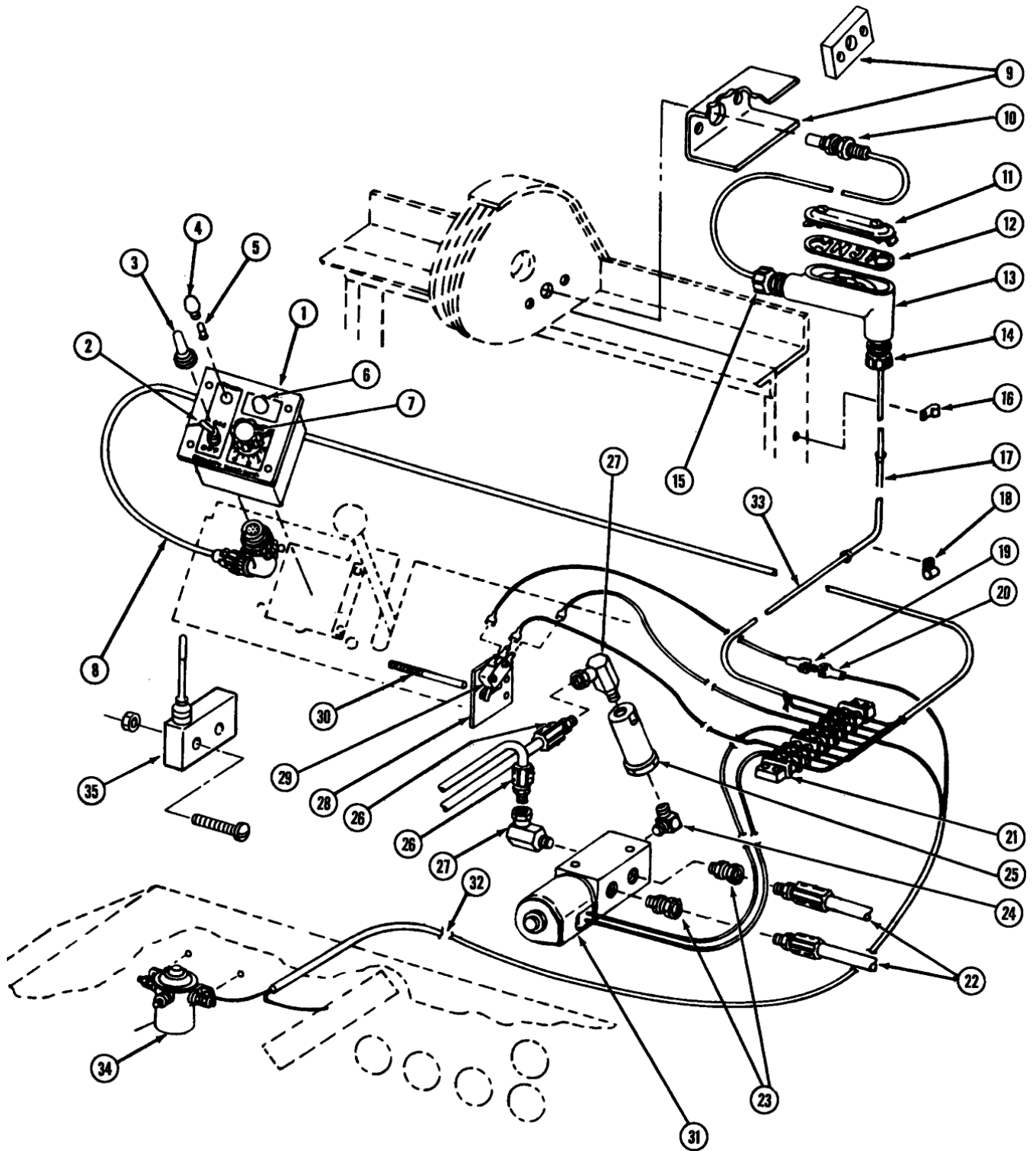
Figure 38a  
Instruments & Lighting



## Instruments &amp; Lighting

Key No.	Part No.	Qty.	Description	Comments
<b>Firewall</b>				
1	4001166	1	Hour Meter	S/N 6000 - 6908 and 7034 - ...
	4002258	1	Hour Meter	S/N 6909 - 7033
2	4000646	1	Pressure Switch	
3	4000656	1	Headlight Switch	
4	4001186	1	Oil Pressure Gauge	Firewall Mounted
	4002256	1	Oil Pressure Gauge	Front Panel Mounted
	4002257	1	Sending Unit	For 4002256 Gauge
5	4001341	1	24" Oil Hose	
6	4001189	1	Ammeter	
7	4001263	1	Circuit Breaker	
8	4001411	1	Fuel Gauge	
9	4001870	1	1/8" Pipe Tee	
10	4001331	1	Adapter	
11	4001888	1	Ignition Switch w/Key	
12	5000638	1	Key for 4001888	
13	4001917	1	Water Temp Gauge	
14	4001918	1	1/2" Temperature Sender	
<b>Fenders &amp; Cowling</b>				
15	4001705	1	Turn Signal Flasher	
16	4002261	1	Fuse 15A	
17	4001808	1	Turn Signal Switch	
18	4000834	1	Horn Relay	
19	4000833	1	Horn	
20	4001025	2	Headlight	
21	4002218	2	Clearance Light	
22	4001262	2	Turn Signal Lamp	
<b>Rear Grill</b>				
23	4002203	2	Tail Light	
24	3002095	1	Battery Hold Down	
25	3002096	2	Battery Bolt	
26		1	Group 31 Battery	
27	3001341	1	Plywood Base	
28	3002094	1	Base Plate	
29	4002062	1	Negative Battery Cable	
30	4002061	1	Positive Battery Cable	
<b>Options</b>				
31	4000303	1	Windshield Wiper Motor	
32	4000307	1	Wiper Arm	
33	4000304	1	Wiper Blade (22")	
34	4000577	1	Heater	
35	4000577S	1	Heater Switch	
36	4001745	1	Electric Back-Up Alarm	
<b>Wire Harnesses</b>				
<b>Firewall Gauges</b>				
--	2000403	1	Tail Light Wire Harness	
--	2000406	1	Dash Wire Harness	
--	2000513	1	Engine Wire Harness	
--	2000514	1	Alternator Wire Harness	
--	2000517	1	Starter Wire Harness	
--	2000606	1	Fuel Gauge Wire Harness	
--	2000781	1	Interlock Wire Harness	
<b>Front Panel Gauges</b>				
--	2000888	1	Tail Light Wire Harness	
--	2000889	1	Engine Wire Harness	S/N ... - 7033
--	2000963	1	Engine Wire Harness	S/N 7034 - ...
--	2000890	1	Alternator Wire Harness	S/N ... - 7033
--	2000964	1	Alternator Wire Harness	S/N 7034 - ...
--	2000891	1	Starter Wire Harness	
--	2000893	1	Fuel Gauge Wire Harness	
--	2000893	1	Safety switch Wire Harness	
--	2000900	1	Dash Wire Harness	

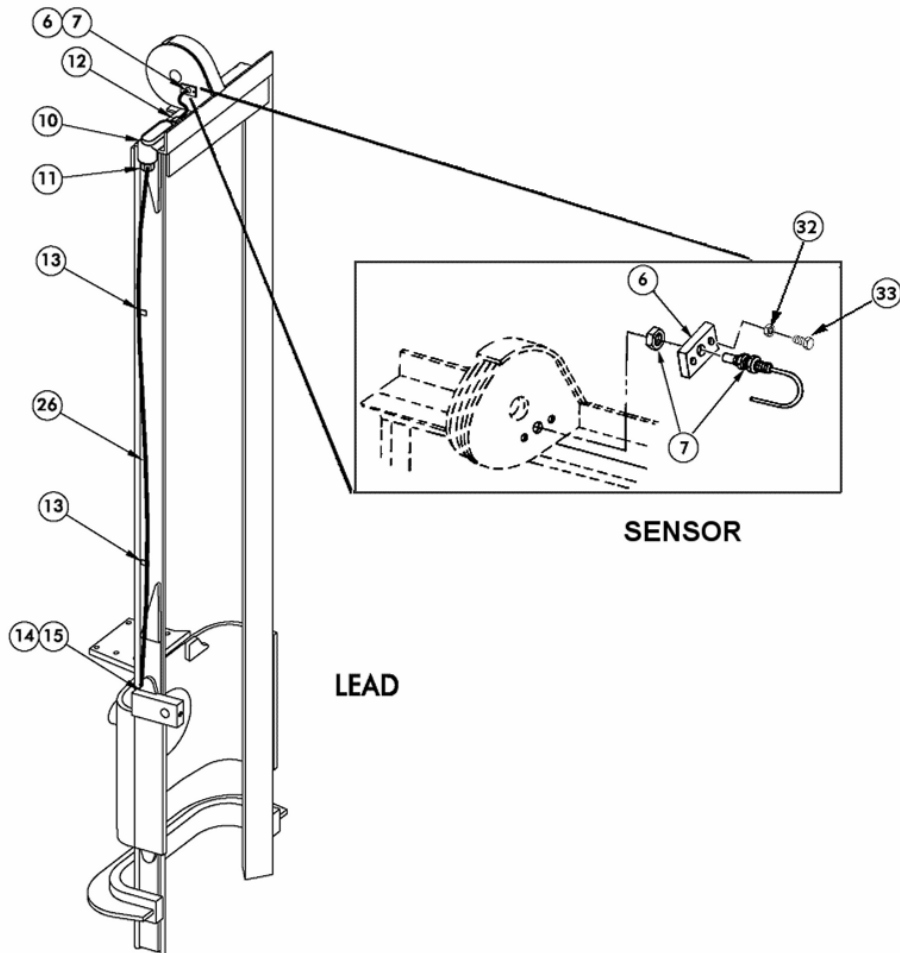
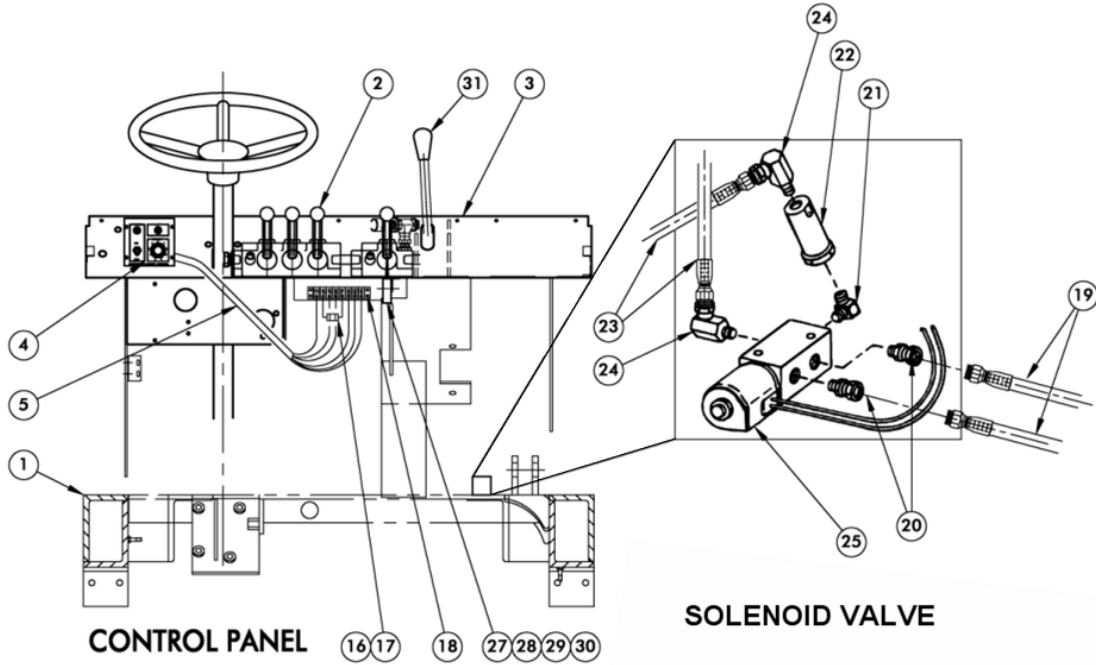
Figure 39  
Electronic Stroke Control



## Electronic Stroke Control

Key No.	Part No.	Qty.	Description	Comments
1	2000608	1	Controller	
2	4001852	1	Toggle Switch	
3	4001853	1	Boot	
4	4001724	1	Red Lens	
5	4001723	2	Lamp	
6	4001725	1	Amber Lens	
7	4001721	1	Knob	
8	2000609	1	Control Cable	
9	3002003	1	18mm Sensor Bracket	
10	4001890	1	18mm Sensor w/Nuts	
11	4001791	1	Cover	
12	4001790	1	Gasket	
13	4001789	1	Conduit Body	
14	4001788	1	Cord Grip	
15	4001782	1	Cord Grip	
16	4000584	4	J Clip	
17	3001895	1	Conduit	
18	4000686	2	Clamp	
19	4001779	1	5 Amp Fuse	
20	4001778	1	Fuse Holder	
21	4001234	1	Terminal Block	
22	4001421	2	3/8 x 30 Hose	
23	4001296	2	1/4 x 3/8 Swivel	
24	4001891	1	Male Elbow	
25	4001812	1	Oil Filter	
26	4001306	2	3/8 x 40 Hose	
27	4001806	2	1/4 x 3/8 - 90° Swivel	
28	3001887	1	Switch Bracket	S/N: 6000 - 6021
29	4001786	1	Valve Switch	S/N: 6000 - 6021
	4002081	1	Valve Switch, Long Arm	S/N: 6022 - 6229
30	3001858	1	Actuating Rod	S/N: 6000 - 6021
31	4001805	1	Solenoid Valve	
32	2000626	1	Relay Wire Harness	S/N: 6000 - 6229
33	2000625	1	Shielded Cable	
34	4001849	1	Solenoid	S/N: 6000 - 6229
35	4002143	1	Safety Switch	S/N: 6230 - . . . .
	5503071	2	#6 - 32 x 1-1/8" Screw	
	5550402	2	#6 - 32 ESNA Locknut	

Figure 39a  
Electronic Stroke Control  
S/N 7050 - . . .



**Electronic Stroke Control  
S/N 7050 - . . .**

Key No.	Part No.	Qty.	Description	Comments
1	2000954	Ref	Frame	
2	2000971	Ref	Valve Bank - Timer	
3	2000953	Ref	Control Panel	
4	2000608	Ref	Electronic Hammer Control	
5	2000609	1	Control Cable	
6	3002003	1	18mm Sensor Bracket	
7	4001890	1	18mm Sensor W/nuts	
8				
9				
10	4001789	1	Conduit Body	
11	4001788	1	Cord Grip	
12	4001782	1	Cord Grip	
13	4000584	4	J Clip	
14	3001895	1	Conduit	
15	4000686	2	Clamp	
16	4001779	1	5 Amp Fuse	
17	4001778	1	Fuse Holder	
18	4001234	1	Terminal Block	
19	4001421	2	3/8 X 30 Hose	
20	4001296	2	1/4 X 3/8 Swivel	
21	4001891	1	Male Elbow	
22	4001812	1	Oil Filter	
23	4001306	2	3/8 X 40 Hose	
24	4001806	2	1/4 X 3/8 - 90° Swivel	
25	4001805	1	Solenoid Valve	
26	2000625	1	Shielded Cable	
27	4002143	1	Safety Switch	
28	5503071	2	#6 - 32 X 1-1/8" Screw	
29	5550402	2	#6 - 32 Esna Locknut	
30	4000245	1	Wire Tie	
31	2000960	Ref	Hammer Valve	
32	5555203	2	1/4" Lockwasher	
33	5540003	2	1/4-20 x 3/4" HHC Screw	



# Decals

---

Item No.	Part No.	Qty.	Description	Comments
	2000857	1	1350 Decal Set	Items 1-7, 9-33
	2000938	1	1350T Decal Set	Items 1-6, 8-33
1	3000620	2	Arrow Global	
2	3000748	1	Air Cleaner	
3	3001555	1	Safety Rules	
4	3001758	1	Caution	
5	3002047	2	Stripe Decal	
6	3002135	1	Creeper Shift	
7	3002137	2	1350	S/N ... - 6999
8	3002610	2	1350T	S/N 7000 - ...
9	3002163	1	Ignition Switch Decal	
10	3002164	1	Engine Speed Decal	
11	3002165	1	Engine Warning Decal	
12	3002167	1	Starting Procedure Decal	
13	3002168	1	Caution, "Hot Muffler" Decal	
14	3002230	1	Stroke Adjust (not used on units w/ Electronic Stroke)	
15	3002231	1	Side Shift	
16	3002232	1	Auto Stroke	
17	3002233	1	Layback	
18	3002234	1	Hammer	
19	3002235	1	Creeper Drive	
20	3002236	1	Lead Tilt	
21	3002237	8	Grease Fitting	
22	3002238	1	Diesel Fuel	
23	3002239	1	Weight Lock	
24	3002240	1	Hydraulic Fluid	
25	3002243	1	Hearing Protection	
26	3002244	1	Cable Installation Decal	
27	3002253	1	Lock Weight & Layback Decal	
28	3002336	3	Arrow Decal	
29	3002337	1	Lock Decal	
30	3002434	1	Gearshift Decal	
31	3002449	1	Pull Throttle	
32	3002569	1	Daily Insp. Decal	
33	3002570	1	Start up Procedure Decal	
34	3000616	1	Twist Lock Warning	Option
35	3002046	1	Twist Lock Instruction	Option
36	3002452	1	Cable Adjust	Option

# How to Order Parts

---

All parts orders should be placed with your nearest Arrow-Master distributor.  
Do not place orders with the factory.

Always give the model designation and the serial number of your machine. This information is stamped on the brass plate which is located on the firewall.

## 1350 Model & Serial Number Listing by Year

(John Deere, Diesel)

**1992** ... 6000 - 6050  
**1993** ... 6051 - 6199  
**1994** ... 6200 - 6299  
**1995** ... 6300 - 6399  
**1996** ... 6400 - 6424  
**1997** ... 6425 - 6499  
**1998** ... 6500 - 6549 (EPA Tier 1 S/N: 6500-6720)  
**1999** ... 6550 - 6575  
**2000** ... 6576 - 6599  
**2001** ... 6600 - 6615  
**2002** ... 6616 - 6711  
**2003** ... 6712 - 6727  
**2004** ... 6728 - 6821 (EPA Tier 2 S/N: 6729-6999)  
**2005** ... 6822 - 6913  
**2006** ... 6914 - 6925  
**2007** ... 6926 - 6933

## 1350T Model & Serial Number Listing by Year

(John Deere, Diesel Tier 3)

**2008** ... 7000 - 7011 (EPA Tier 3 S/N: 7000-7074)  
**2009** ... 7012 - 7030  
**2010** ... 7031 - 7035  
**2011** ... 7036 - 7041  
**2012** ... 7050 - 7075 (EPA Tier 4 S/N: 7075-...)  
**2013** ... 7100 - 7124  
**2014** ... 7125 - .....

# Index

Description	Page No.
Axle, Drive . . . . . S/N: 6000 - 6489 . . . . .	8
Axle, Drive . . . . . S/N: 6490 - 7099 . . . . .	10, 10a, 10b
Axle, Steering . . . . .	6, 6a
Brake, Drive Axle . . . . . S/N: 6000 - 6209 . . . . .	12
Brake, Parking . . . . . S/N: 6000 - 6209 . . . . .	18
Brake, Parking . . . . . S/N: 6210 - 7099 . . . . .	20
Brake, Parking . . . . . S/N: 7100 - . . . . .	20a
Brake, Service . . . . . S/N: 6000 - 6209 . . . . .	14
Brake, Service . . . . . S/N: 6210 - 7099 . . . . .	16
Brake, Service . . . . . S/N: 7100 - . . . . .	16a
Carriage . . . . .	32
Chassis . . . . .	4
Cover Plates . . . . .	42
Creeper Gear . . . . .	38
Creeper Cover . . . . .	40
Cylinder, Automatic . . . . .	48
Cylinder, Hammer Lift . . . . .	50
Cylinder, Layback . . . . .	53
Cylinder, Tilt . . . . .	52
Decals . . . . .	68
Instruments & Lighting . . . . .	64
Electronic Stroke Control . . . . .	66
Engine/Transmission . . . . . S/N: 6000 - 6499 . . . . .	26
Engine/Transmission . . . . . S/N: 6500 - . . . . .	28
Hammer Assembly Groups . . . . .	2
Hammer Weight . . . . .	35
Hammer Tools . . . . .	36
Hydraulic Fittings . . . . .	62
Hydraulic Hoses . . . . .	46
Hydraulic Components . . . . .	44
Layback Release . . . . .	33
Lead . . . . .	34
Pedal Assembly, Brake . . . . .	22
Pedal Assembly, Clutch . . . . .	22
Pump, Hydraulic . . . . .	54
Sideshift Ways . . . . .	32
Steering, Power . . . . .	23
Tank, Fuel, Hydraulic . . . . .	24
Throttle Assembly . . . . .	30
Valve, Locations . . . . .	3
Valve, Control . . . . .	56
Valve, Creeper and Bypass . . . . .	60
Valve, Hammer Control . . . . .	58
Valve, Pilot . . . . .	51
Wheels . . . . .	4

**Go to Section 1**

**Go to Section 2**