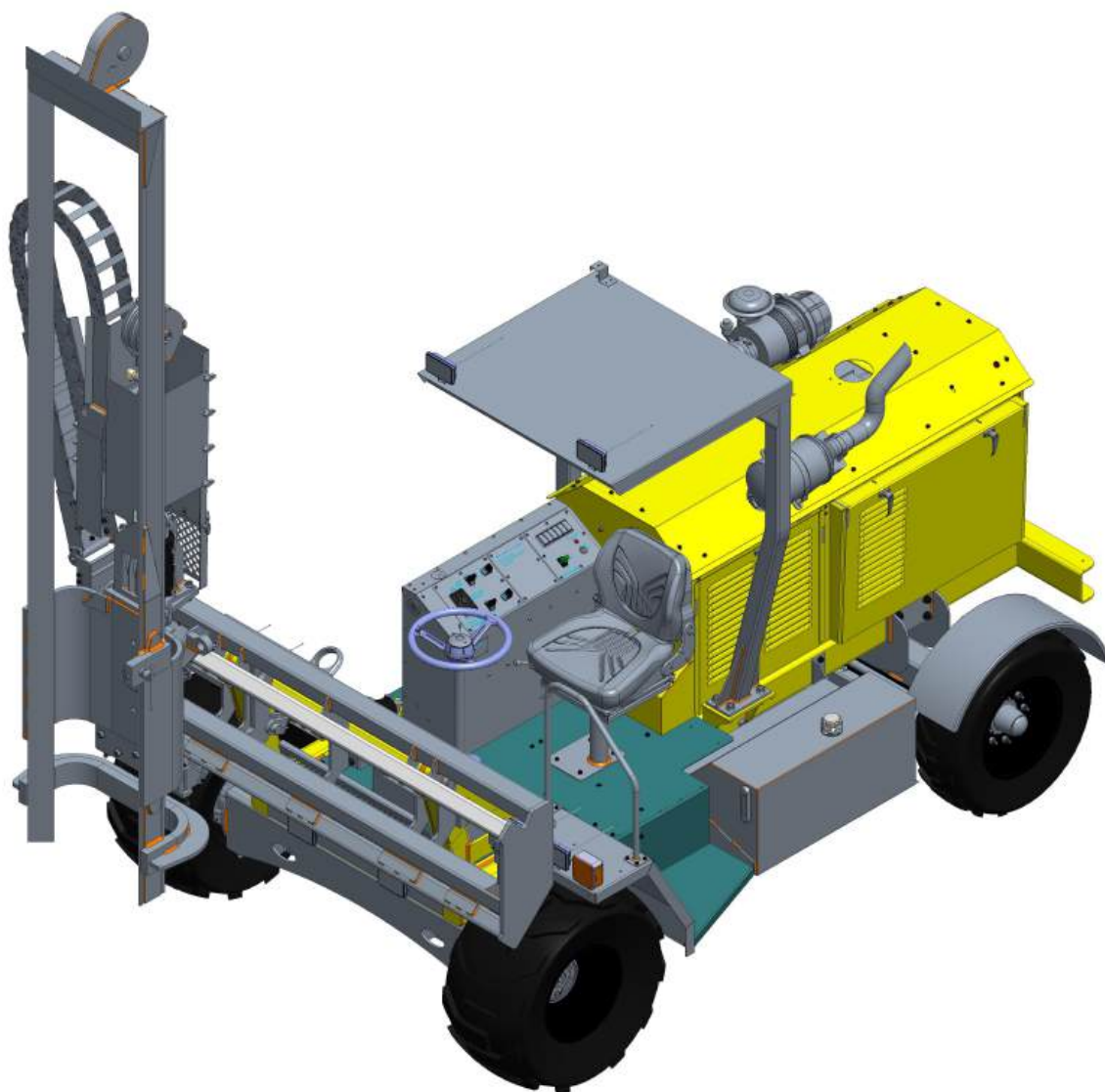


**ARROW - MASTER
MOBILE HYDRAULIC HAMMER**

MODEL 1450 H

Assembly Manual





MODEL 1450 H

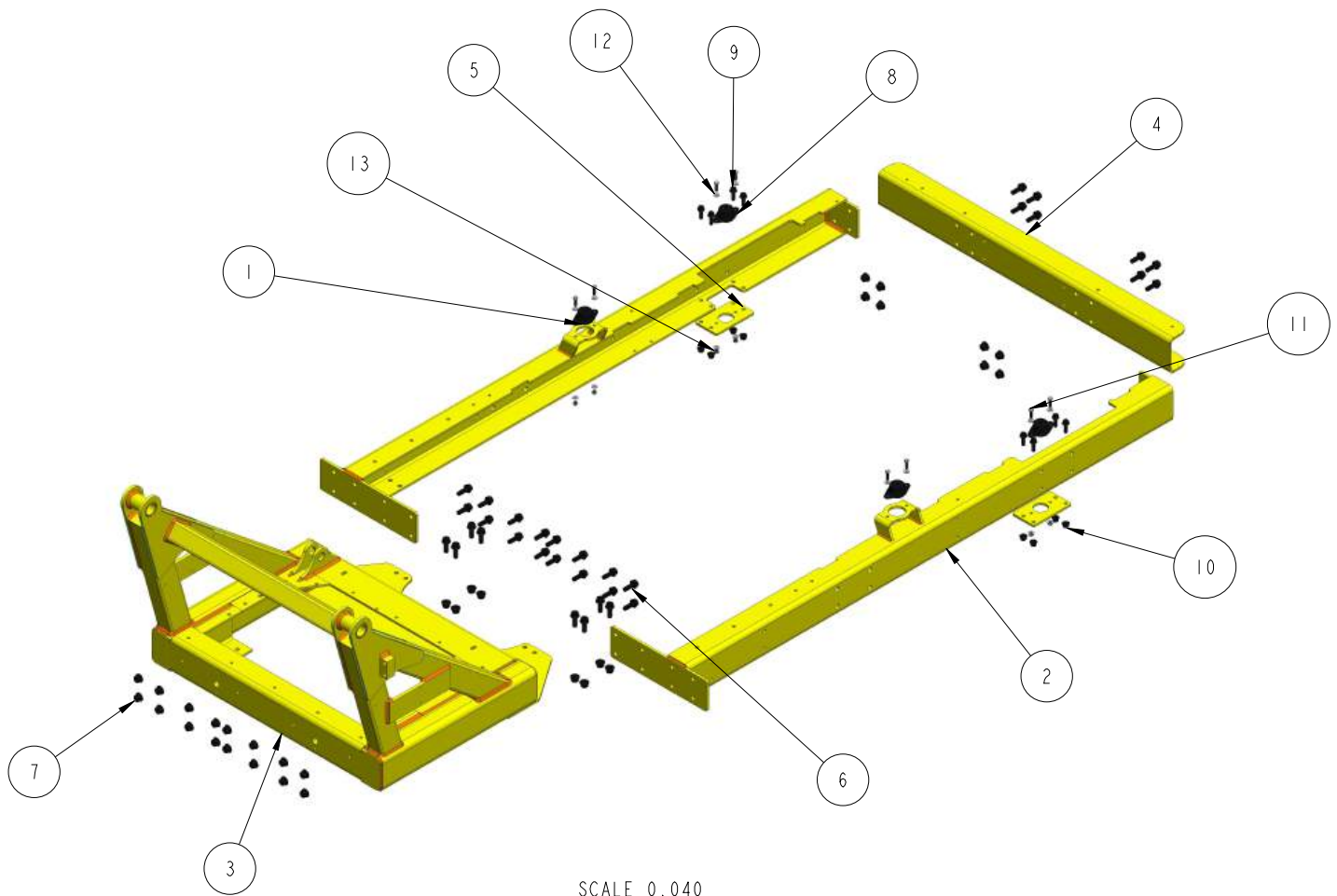
Table of Contents

Bare frame 7504000-----	1
Frame box -----	1
Right frame channel -----	2
Left frame channel -----	2
Engine Isolator -----	2
Rear isolator motor mount plate -----	2
Rear bumper weldment -----	3
Install Axle 7504002 -----	4
Front axle assembly -----	5
Rear axle assembly -----	5
Rear wheel assembly -----	6
Front-wheel assembly -----	6
Engine -----	7
Engine sub assembly -----	8
Mounting bracket -----	9
Install tanks -----	11
Hydraulic Tank -----	12
PPG valve -----	13
Fuel Tank -----	14
Floor pans -----	16
Firewall & framework -----	17
Strut installation -----	22,23,24
Battery box -----	25
Hood and control panel & Rops-----	27
Hood Installation -----	28
Control Panel -----	29

Table of Contents

Fenders and step -----	31
Front Fenders LH -----	32
Step LH -----	33
Right Rear Fender -----	34
Front Fender RH -----	35
Seat & Rear door assembly-----	37
Rear Door Assembly -----	38
Set Assembly -----	39
Debris Screen -----	40
Slide Assembly -----	42
Stop block -----	43
Hinge Pin -----	44
Mast Assembly -----	46
Lock Pin w/ Lead -----	47
Center Pin and Nut -----	47
Lift Cylinder Assy -----	48
Layback Cylinder -----	49
Lead Rest Weldment -----	50
Sheave Assembly -----	51
Hose Track Assembly -----	53
Lights & wiring -----	56
Panels and guards install -----	59
Weight Assembly -----	

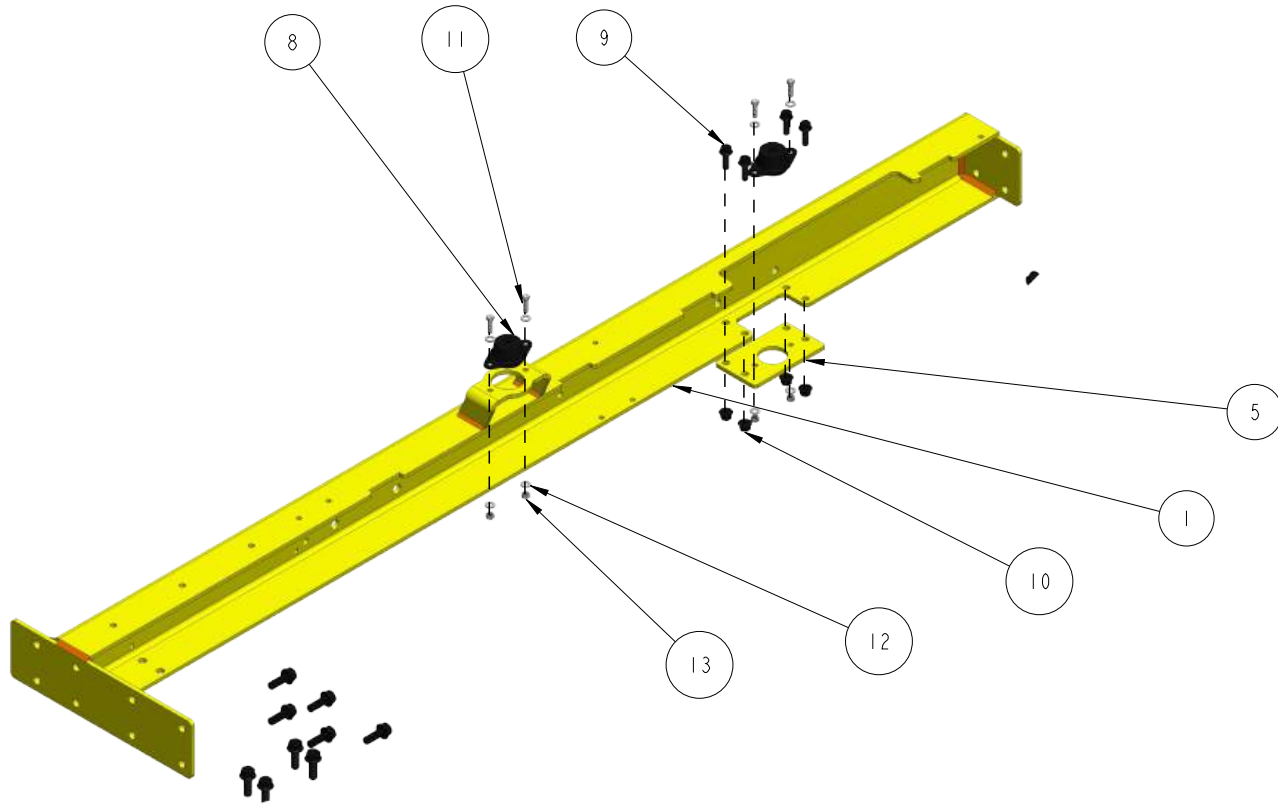
7504000



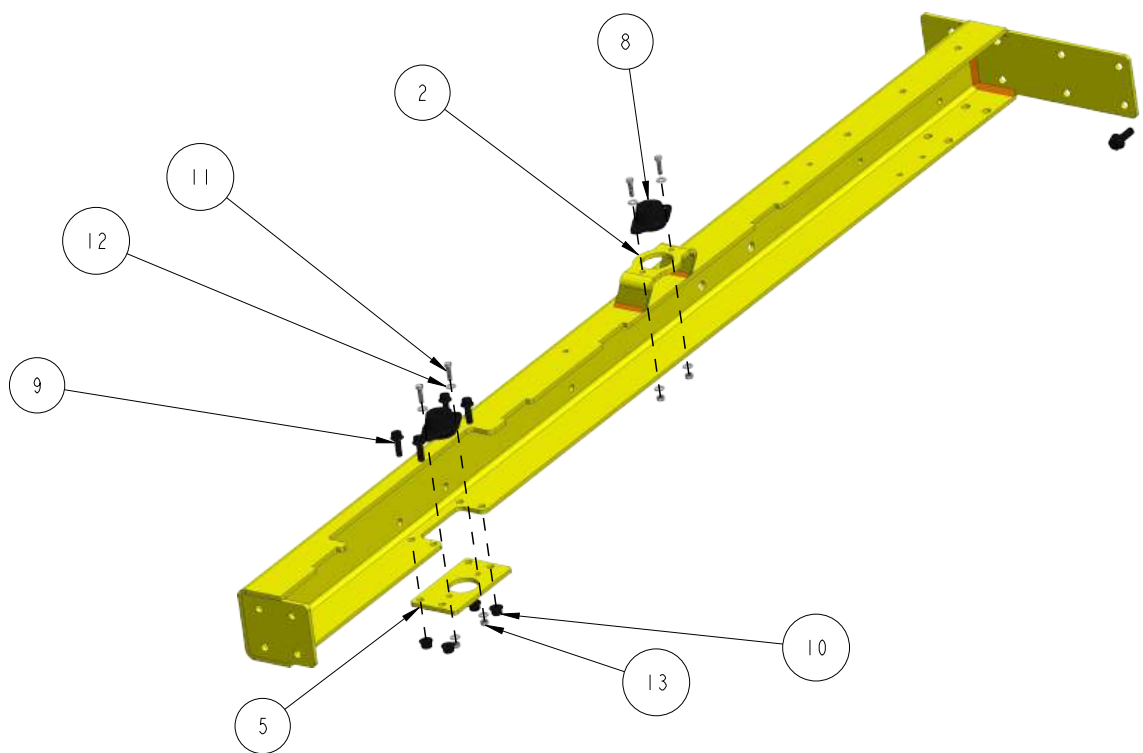
SCALE 0.040
EXPLODED VIEW

13	5550412C	Center Lock Nut 3/8-16	8	
12	5555256	3/8 Flat washer SAE Zinc	16	
11	5540206	HHCS 3/8-16 x 1 1/4" Gd 5 Zinc	8	
10	4253086	1/2-13 locking flange nut Black Phosphate	8	
9	4253085	1-2-13 1 1/2" FH bolt Black Phosphate	8	
8	4253084	Engine isolator	4	
7	4253038	5/8-18 locking flange nut	32	
6	4253037	5/8-18 Frame bolt	32	
5	3251038	Rear isolator motor mount plate	2	
4	2252022	Rear bumper weldment	1	
3	2252003	Frame box	1	
2	2252002	Left frame channel	1	
1	2252001	Right Frame Channel	1	
ITEM NO	PART NUMBER	DESCRIPTION	QTY	NOTES

7504000

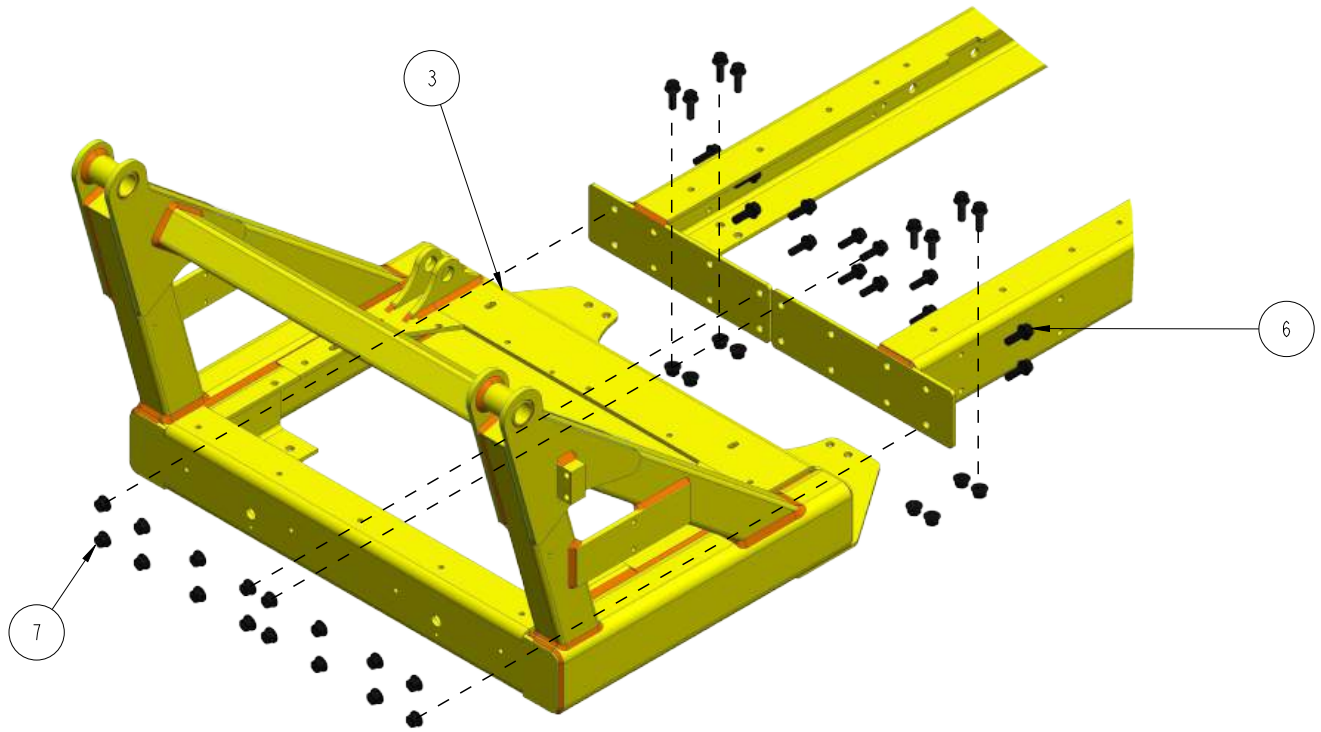


SCALE 0.070
EXPLODED VIEW

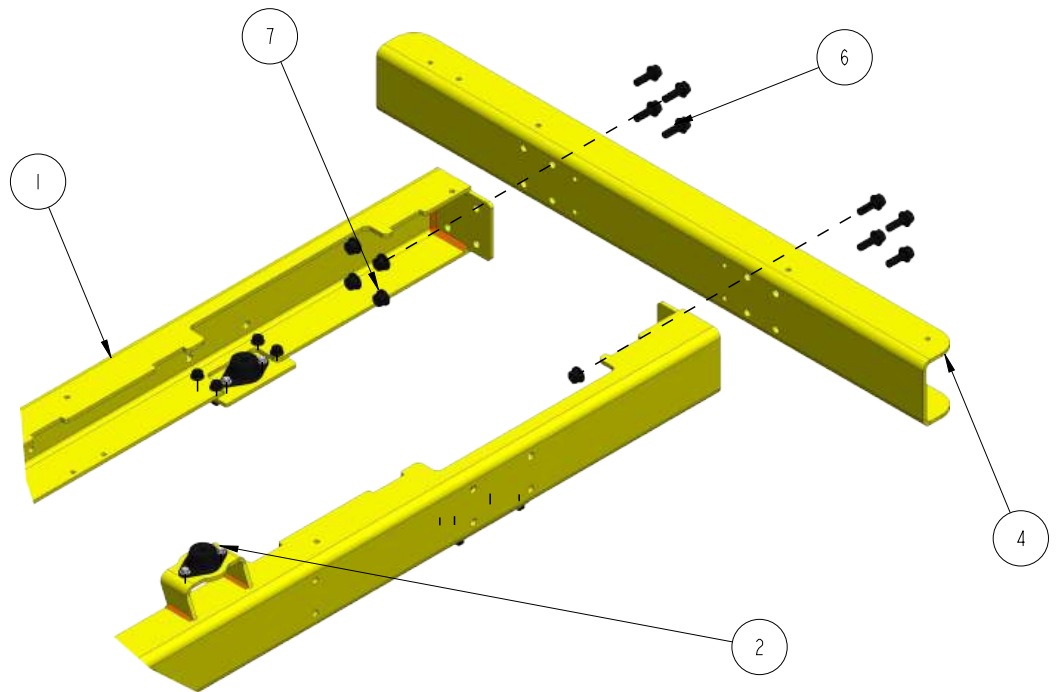


SCALE 0.070
EXPLODED VIEW

7504000

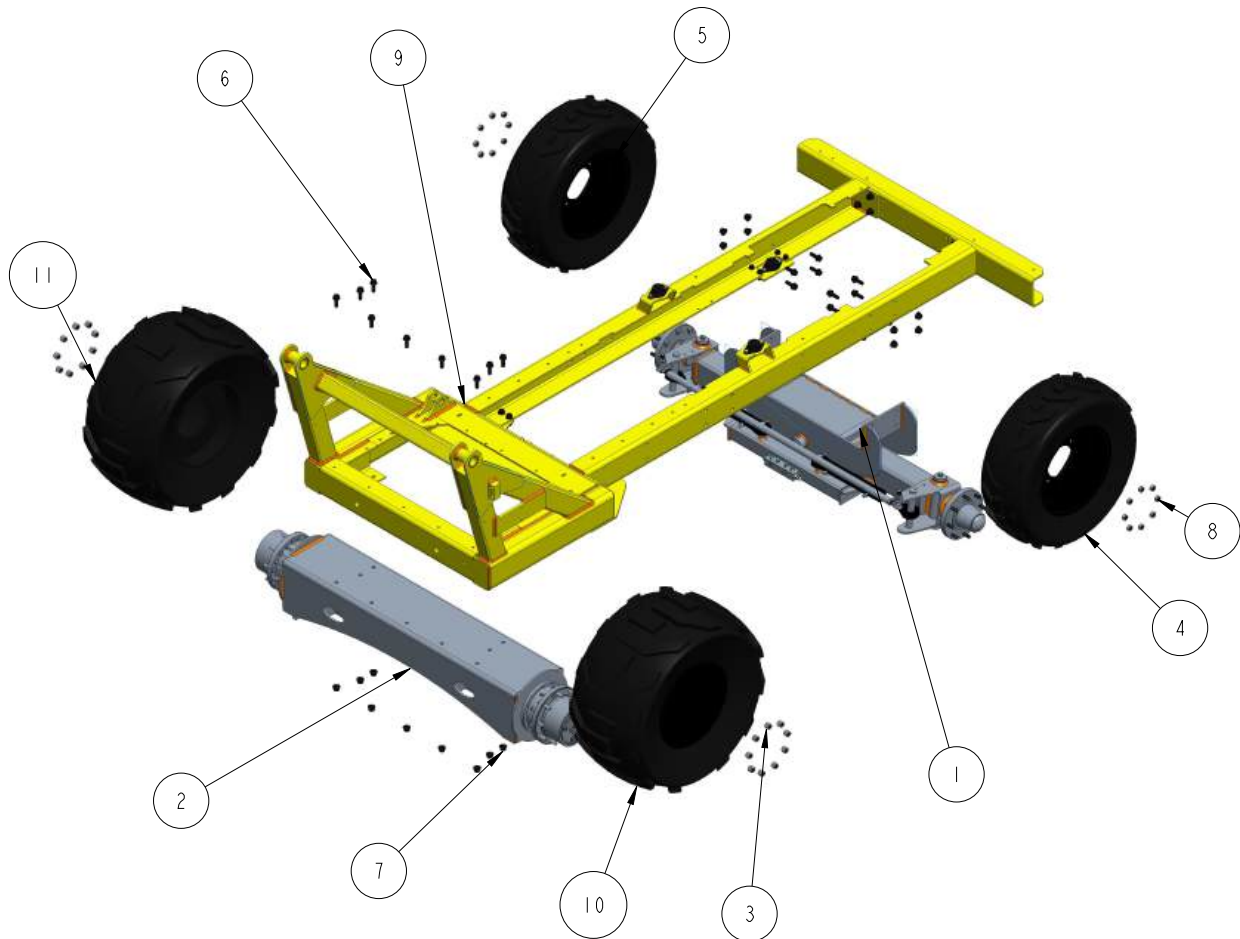


SCALE 0.070
EXPLODED VIEW



SCALE 0.070
EXPLODED VIEW

7504002

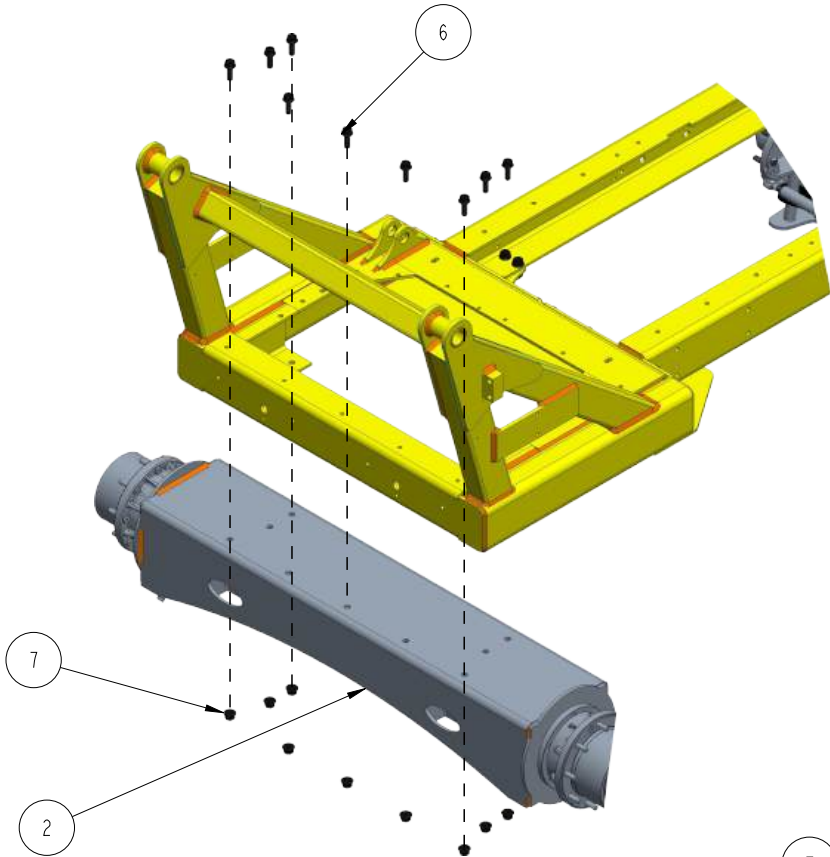


SCALE 0.030

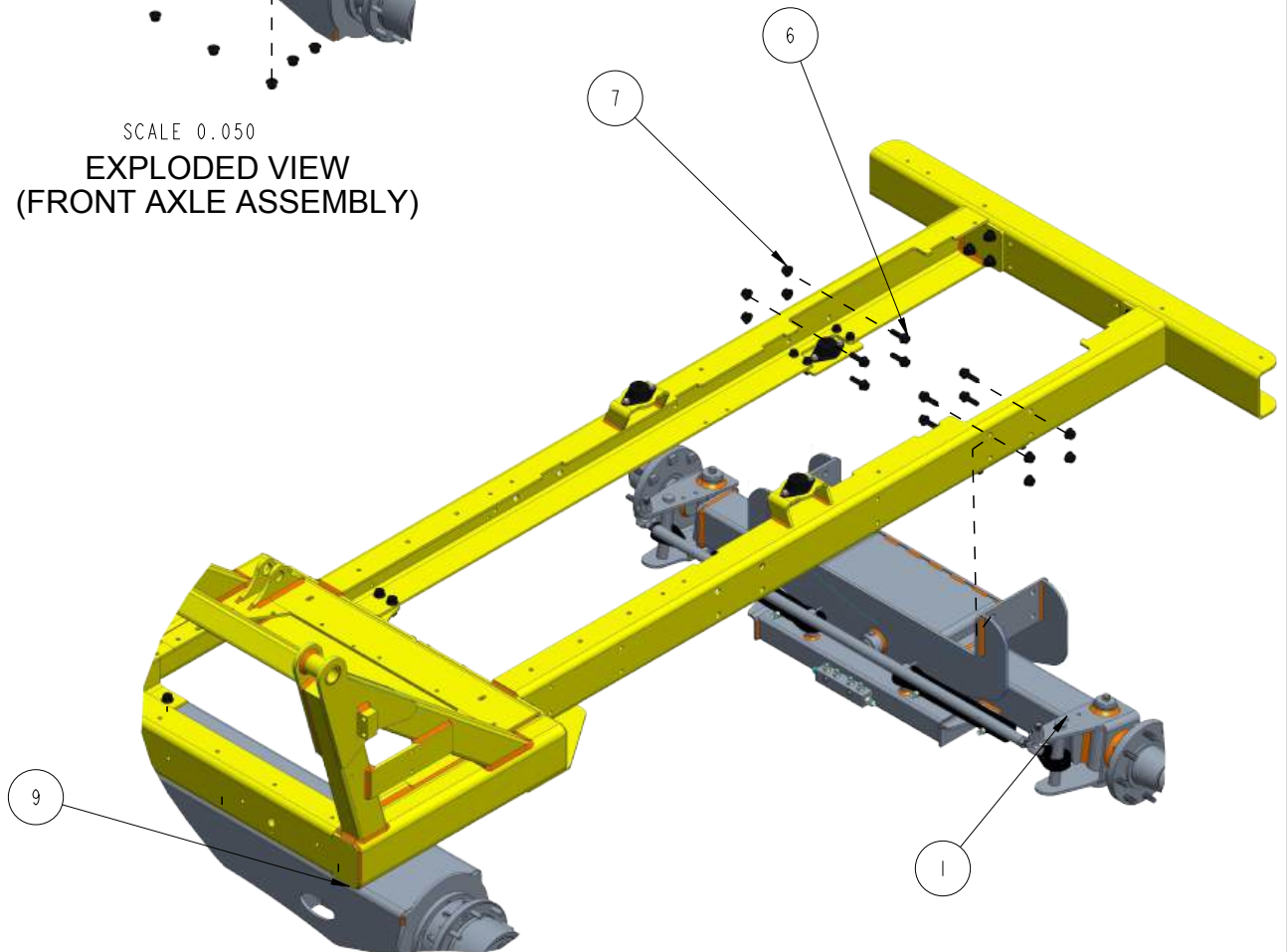
EXPLODED VIEW

11	4253003RH	Front tire RH	1	
10	4253003LH	Front rim and tire	1	
9	7504000	Base frame	1	
8	4253162	Tapered Lug nut	16	
7	4253038	5/8-18 locking flange nut	17	
6	4253037	5/8-18 Frame bolt	17	
5	4253008_RH	Rear rim and tire mounted RH	1	
4	4253008_LH	Rear rim and tire mounted LH	1	
3	4253005	Front Lug nut	18	
2	1253007	Front Axle Assembly	1	
1	1253001	Rear axle hanger assembly	1	
ITEM NO	PART NUMBER	DESCRIPTION	QTY	NOTES

7504002

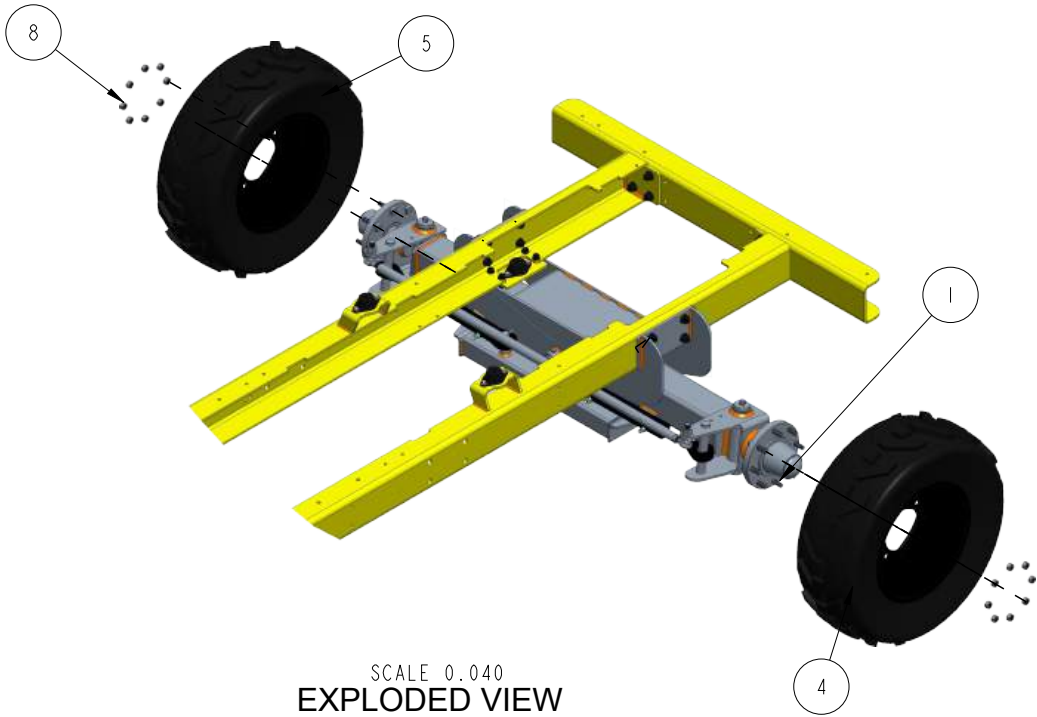


SCALE 0.050
EXPLODED VIEW
(FRONT AXLE ASSEMBLY)

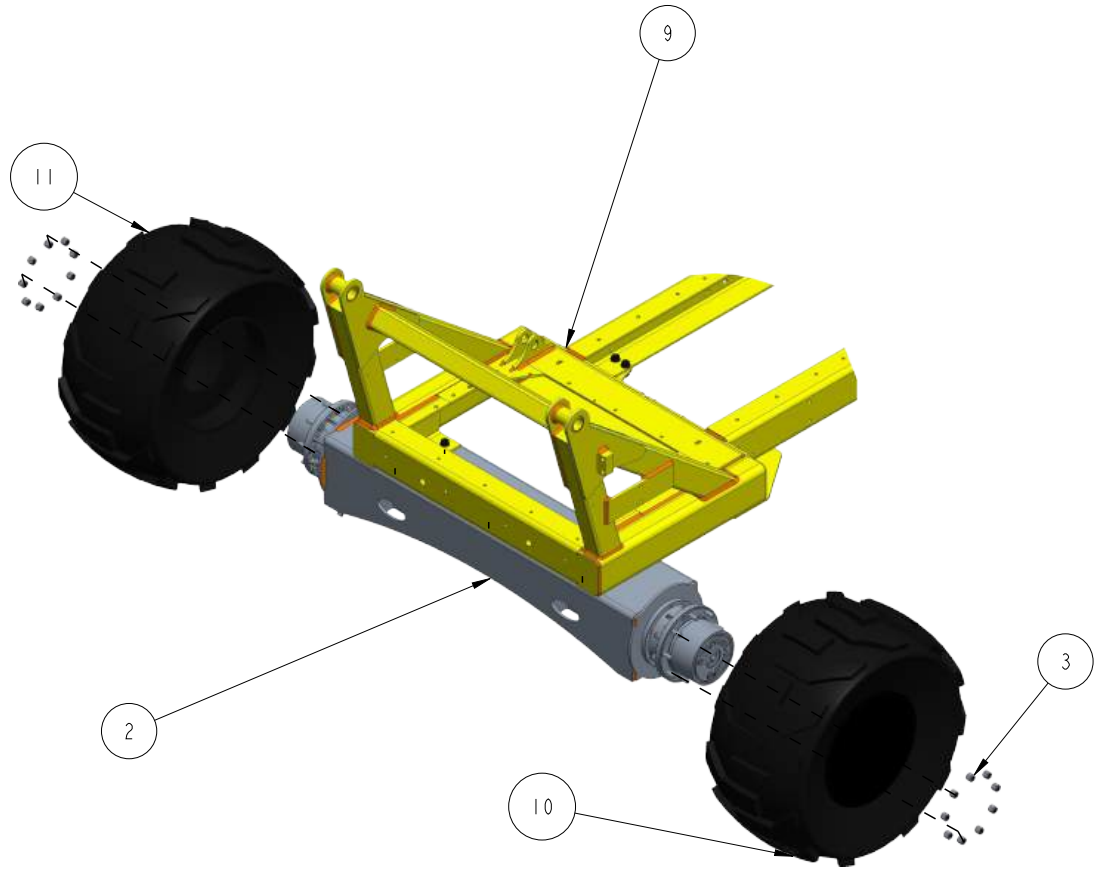


SCALE 0.050
EXPLODED VIEW
(REAR AXLE HANGER ASSEMBLY)

7504002

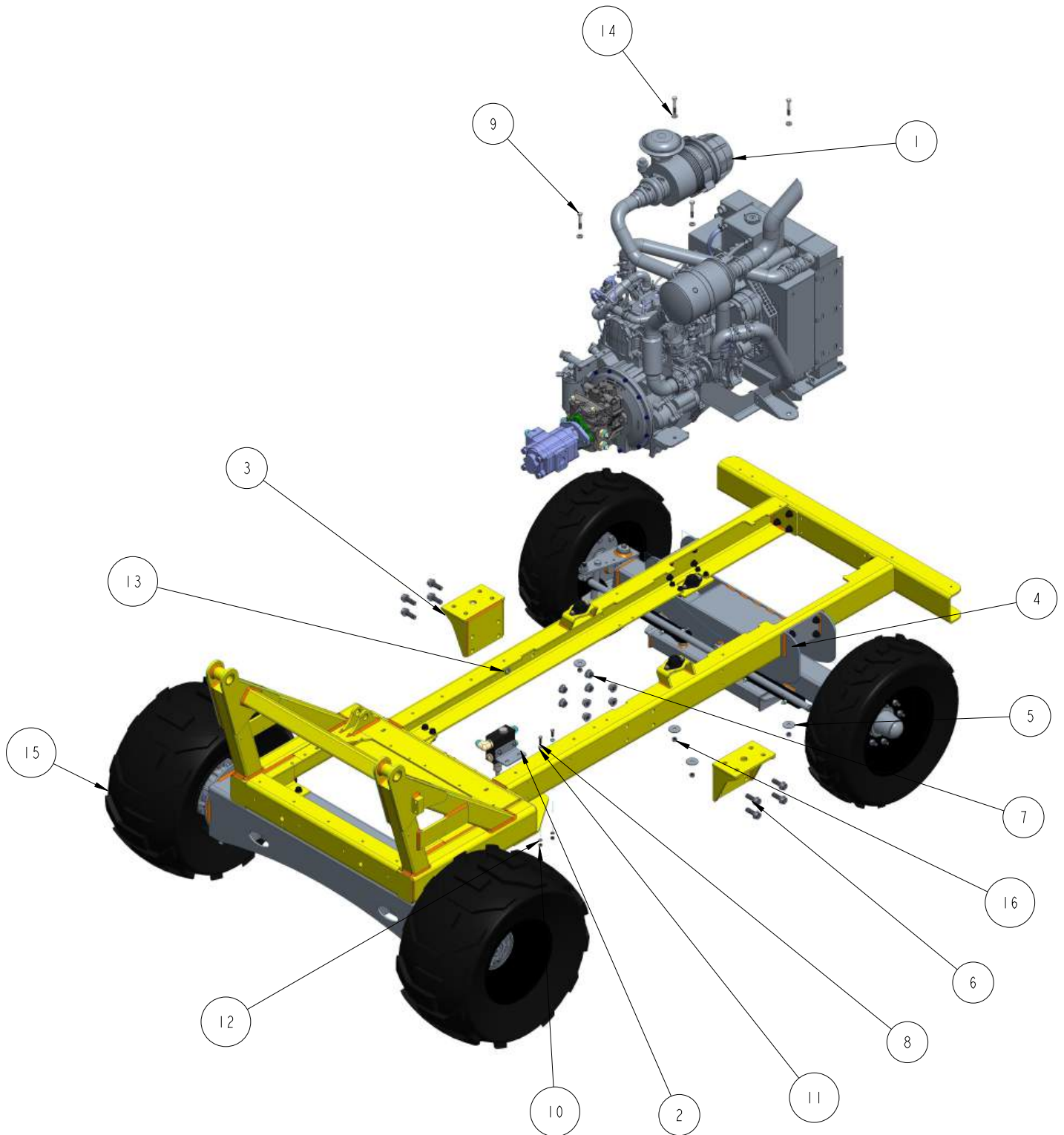


SCALE 0.040
EXPLODED VIEW
(REAR WHEEL ASSEMBLY)



SCALE 0.040
EXPLODED VIEW
(FRONT WHEEL ASSEMBLY)

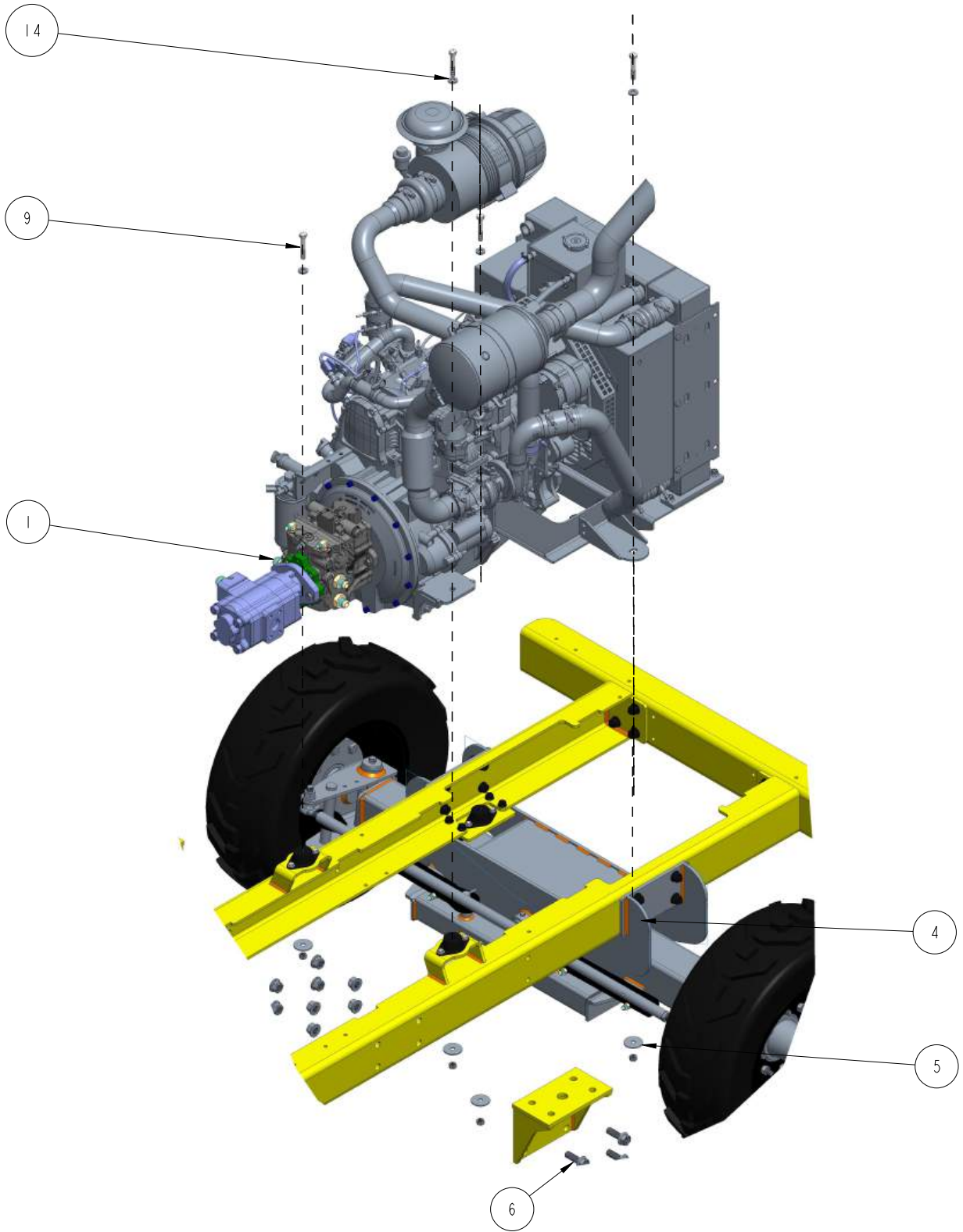
7504004



SCALE 0.040

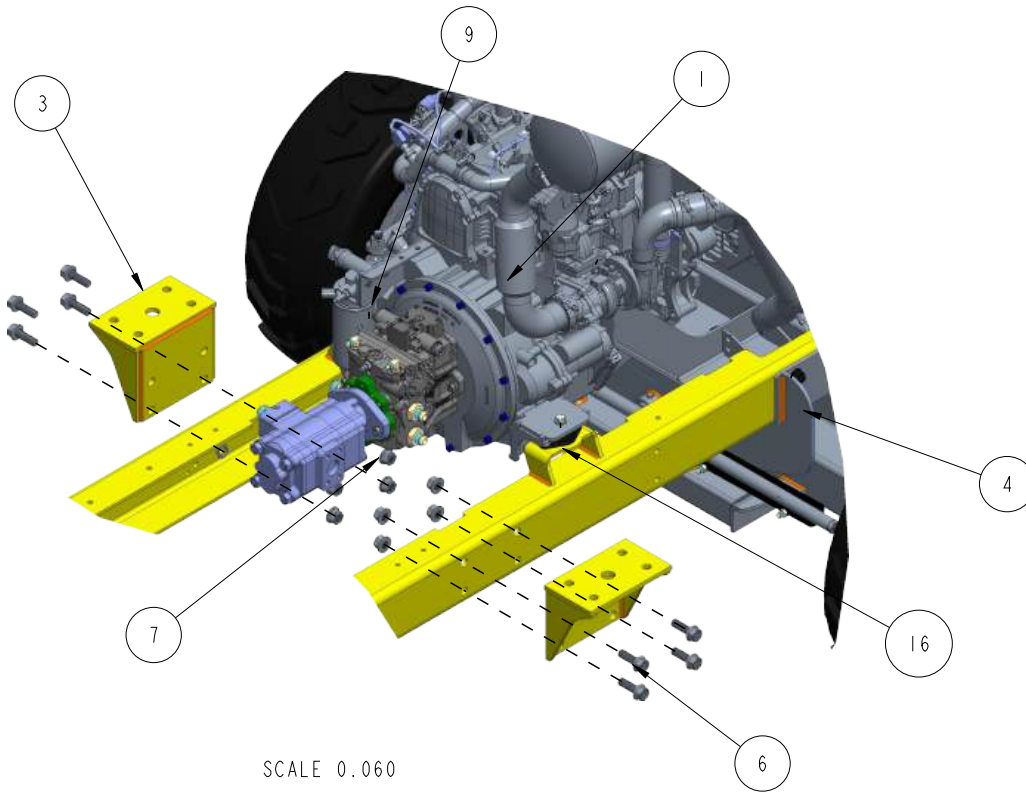
EXPLODED VIEW

7504004

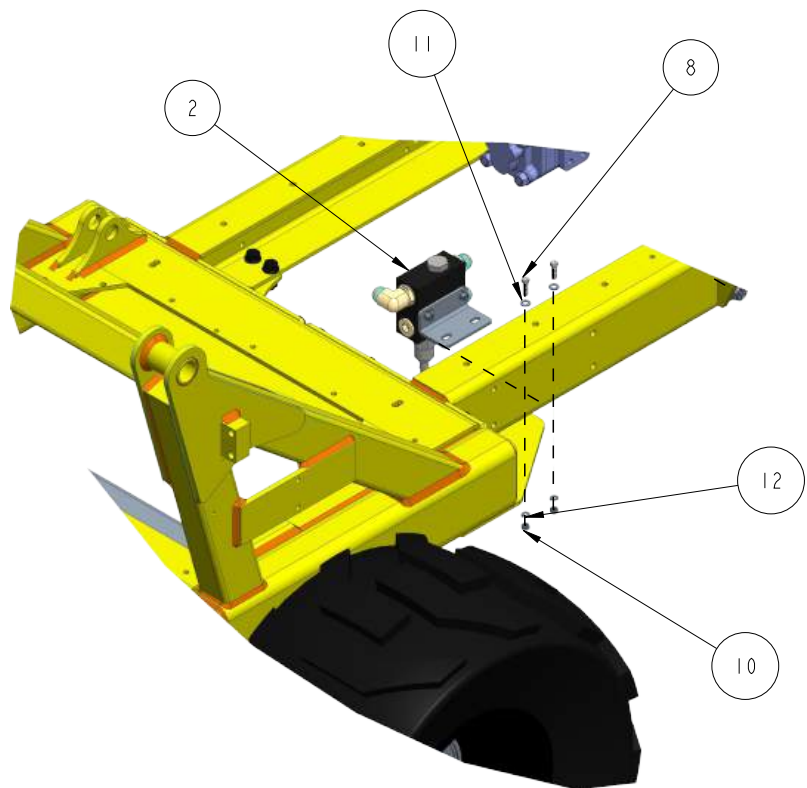


SCALE 0.060
EXPLODED VIEW

7504004



SCALE 0.060
EXPLODED VIEW

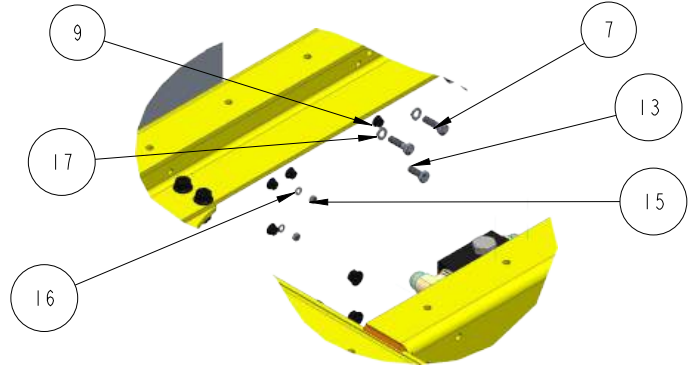


SCALE 0.070
EXPLODED VIEW

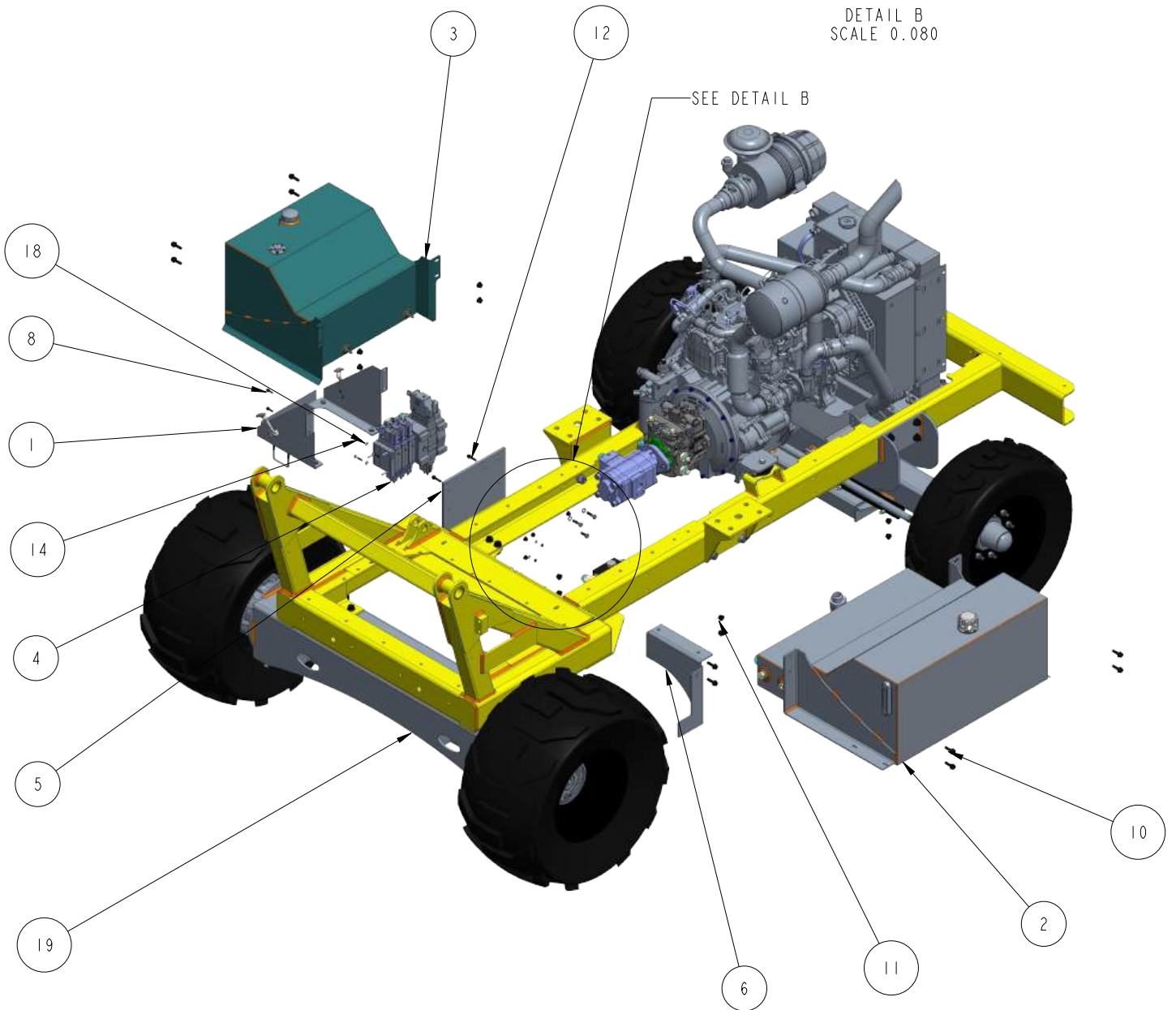
7504004

16	5550416C	1/2"-13 centerlock nut	4	
15	7504002	Install front axle	1	
14	5555258	1/2" Flat Washer SAE	4	
13	5555211	3/4" lock washer	1	
12	5555205	3/8" lock washer zinc	2	
11	5555005	3/8 Flat washer Zinc SAE	2	
10	5550012	3/8 - 16 Hex nut Zinc	2	
9	5540413	1/2 - 13 X 3 HHCS Gd5 zinc	4	
8	5540206	HHCS 3/8-16 x 1 1/4" Gd 5 Zinc	2	
7	4253314	3/4-10 Locking Flange nut Black Phosphate	8	
6	4253313	3/4-10 X 2 1/4" Flange head bolt. Black Phosphate	8	
5	4253183	1/2" heavy washer Inc w/cummins	4	
4	4253037	5/8-18 Frame bolt	8	
3	2000558	Mounting bracket Rops	2	
2	1253023	Main relief assembly	1	
1	1253006	Engine sub assembly	1	
ITEM NO	PART NUMBER	DESCRIPTION	QTY	NOTES

7504006

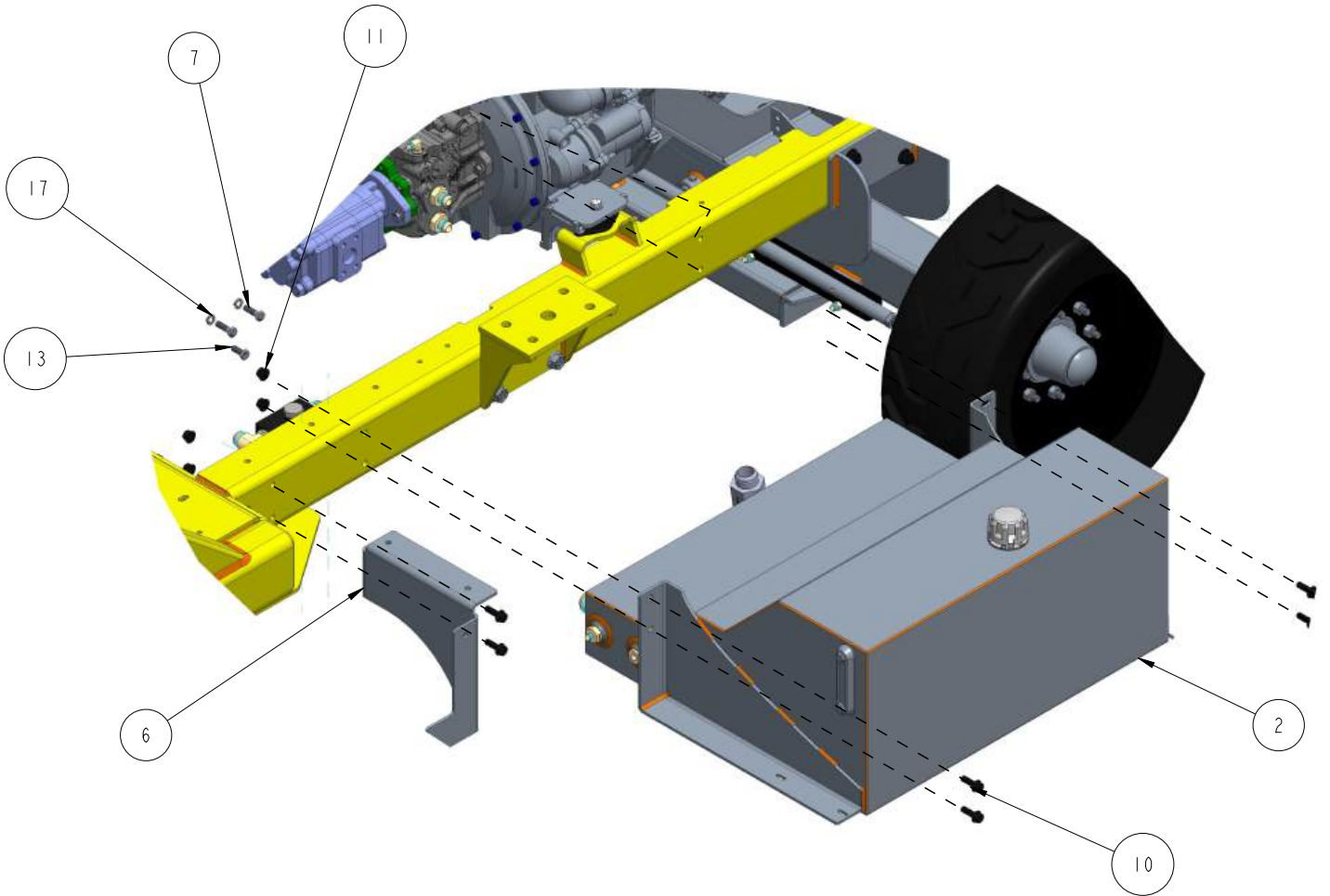


DETAIL B
SCALE 0.080



SCALE 0.040
EXPLODED VIEW

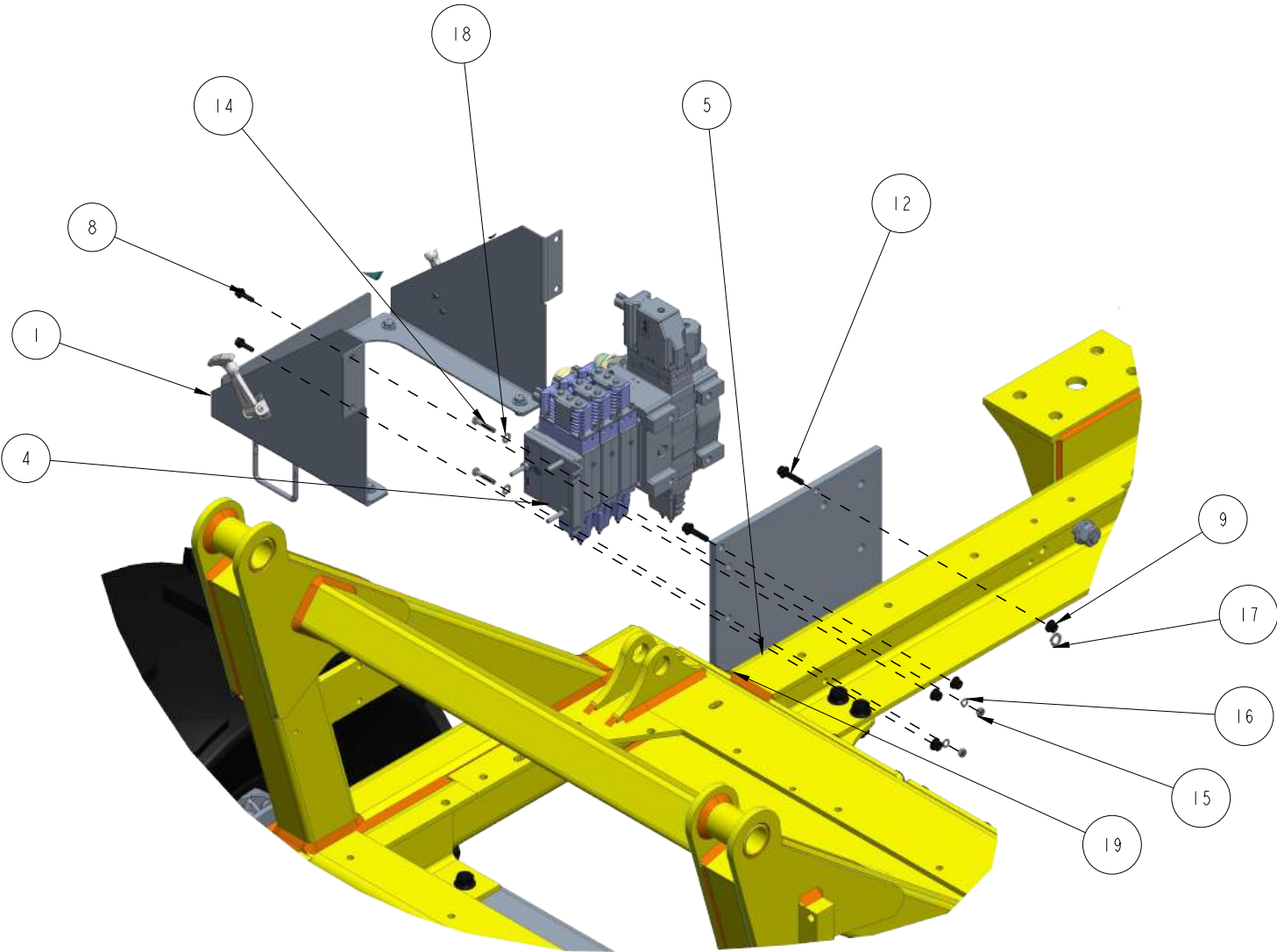
7504006



SCALE 0.070

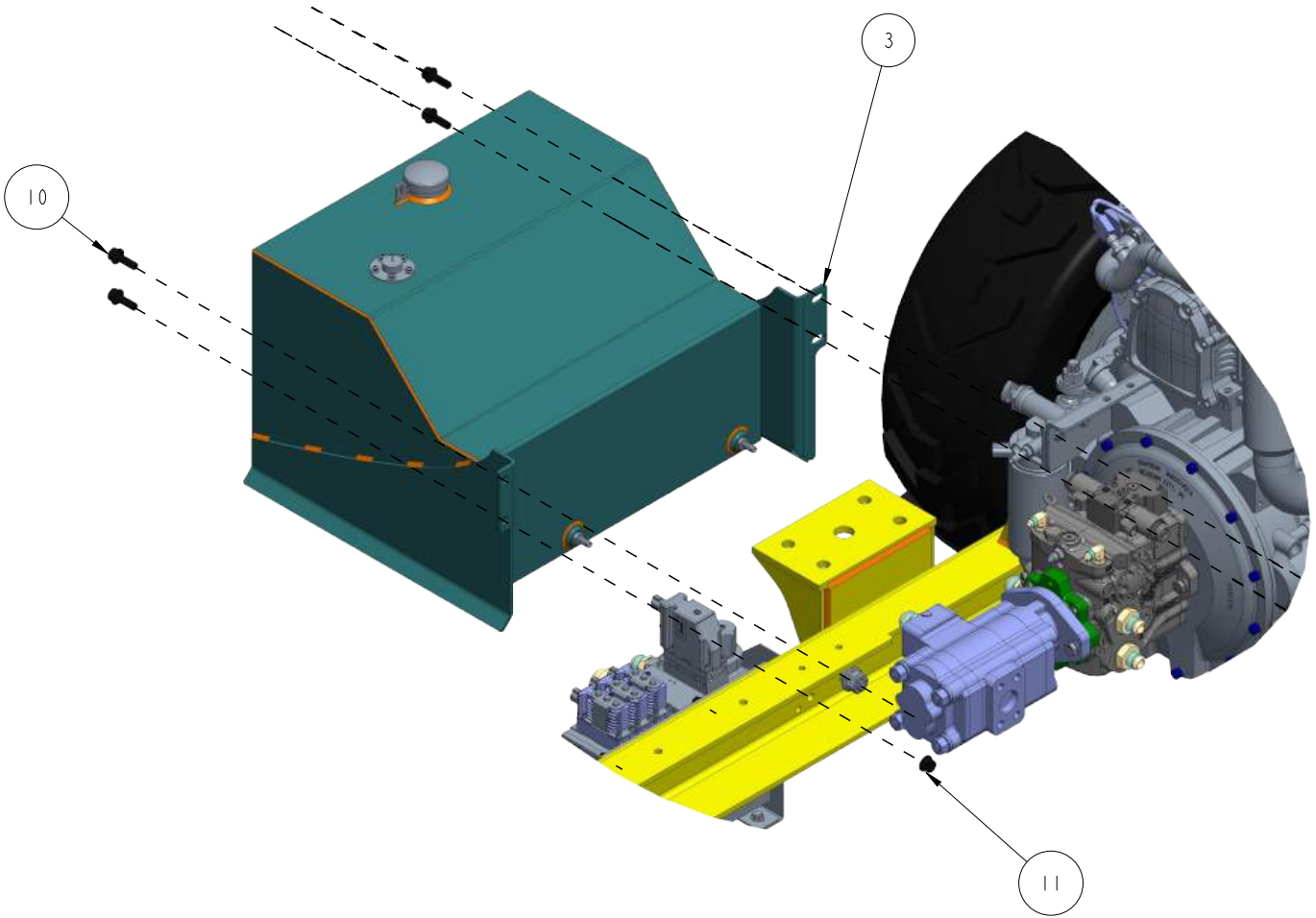
EXPLODED VIEW

7504006



SCALE 0.100
EXPLODED VIEW

7504006



SCALE 0.090

EXPLODED VIEW

7504006

19	7504004	Engine install	1	
18	555255	5/16 Flatwasher SAE	2	
17	555207	1/2" lock washer Zinc	3	
16	555204	5/16 lockwasher	2	
15	5550010	5/16 Nut zinc	2	
14	5540107	HHCS 5/16-18 X 1 1/2" Zinc	2	
13	4253197	HHCS M12 x 1.75 X 40mm 8.8 zinc	1	
12	4253132	3/8-16 X 1/12" Flange bolt Black Ph.	2	
11	4253086	1/2-13 locking flange nut Black Phosphate	10	
10	4253085	1-2-13 1 1/2" FH bolt Black Phosphate	10	
9	4253081	3/8 - 16 Locking Flange nut Blk Phosphate	4	
8	4253080	3/8-16 x 1 Flange head bolt Blk Phosphate	2	
7	4253043	M12 X 1.75 X 40MM 10.9	2	
6	3251085	Floor plate gusset	1	
5	3251044	Valve mount plate	1	
4	1253024	PPG valve assembly	1	
3	1253010	Fuel Tank Assembly	1	
2	1253008	Hydraulic tank assembly	1	
1	1253004	Valve cover frame	1	
ITEM NO	PART NUMBER	DESCRIPTION	QTY	NOTES

7504008

SEE DETAIL D

2

7

SEE DETAIL C

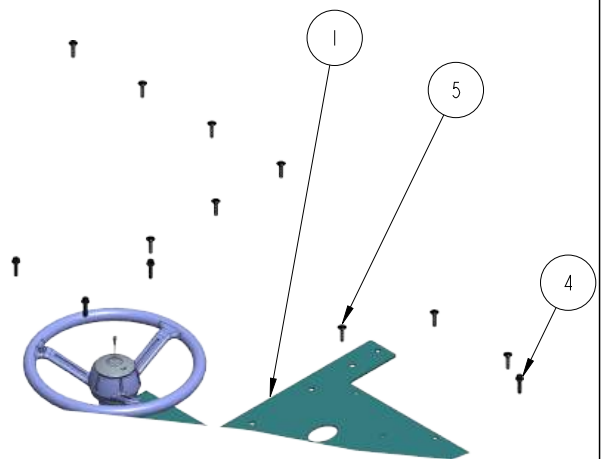
SCALE 0.030



3

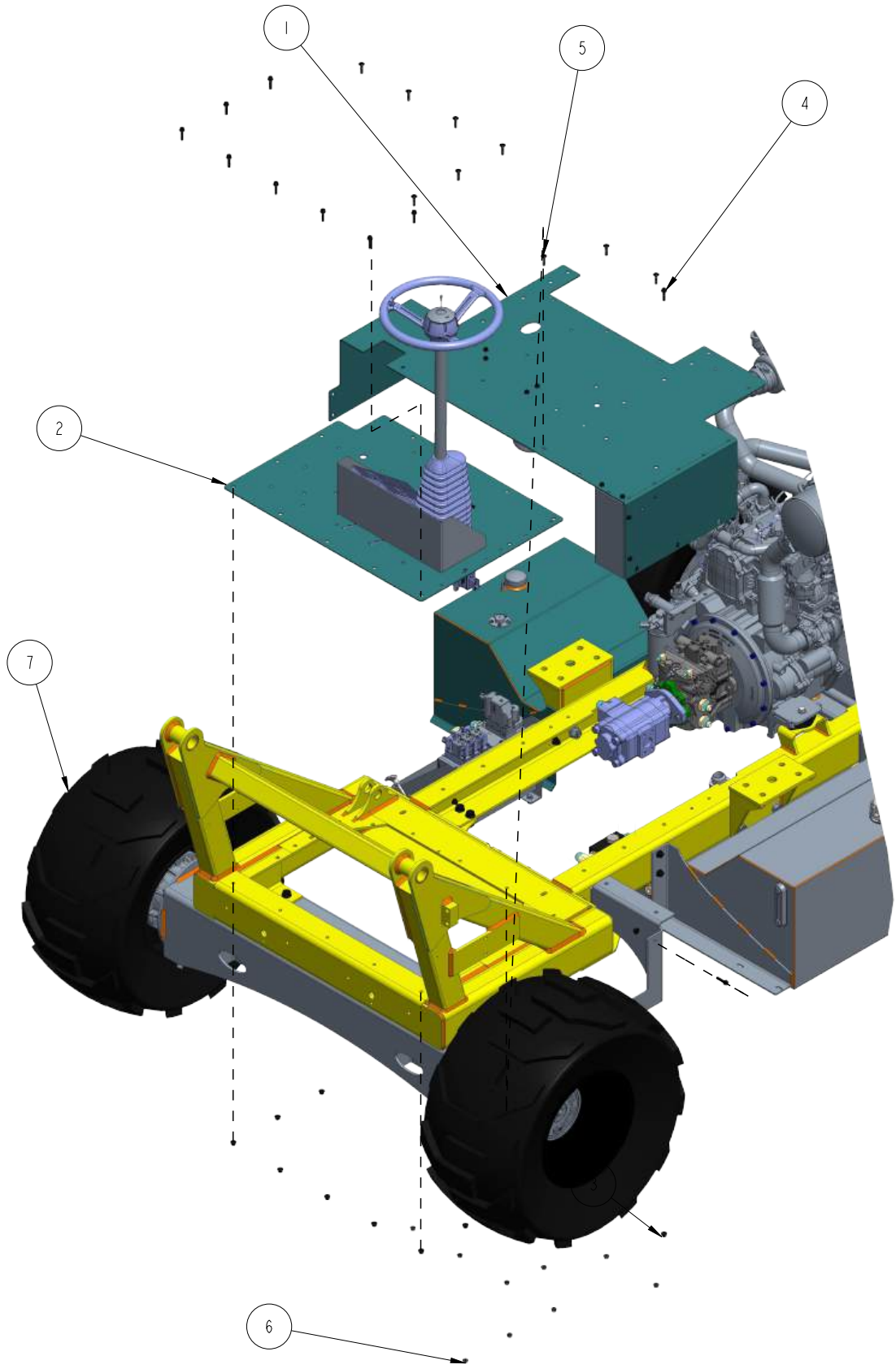
6

DETAIL C
SCALE 0.060



DETAIL D
SCALE 0.060

7504008

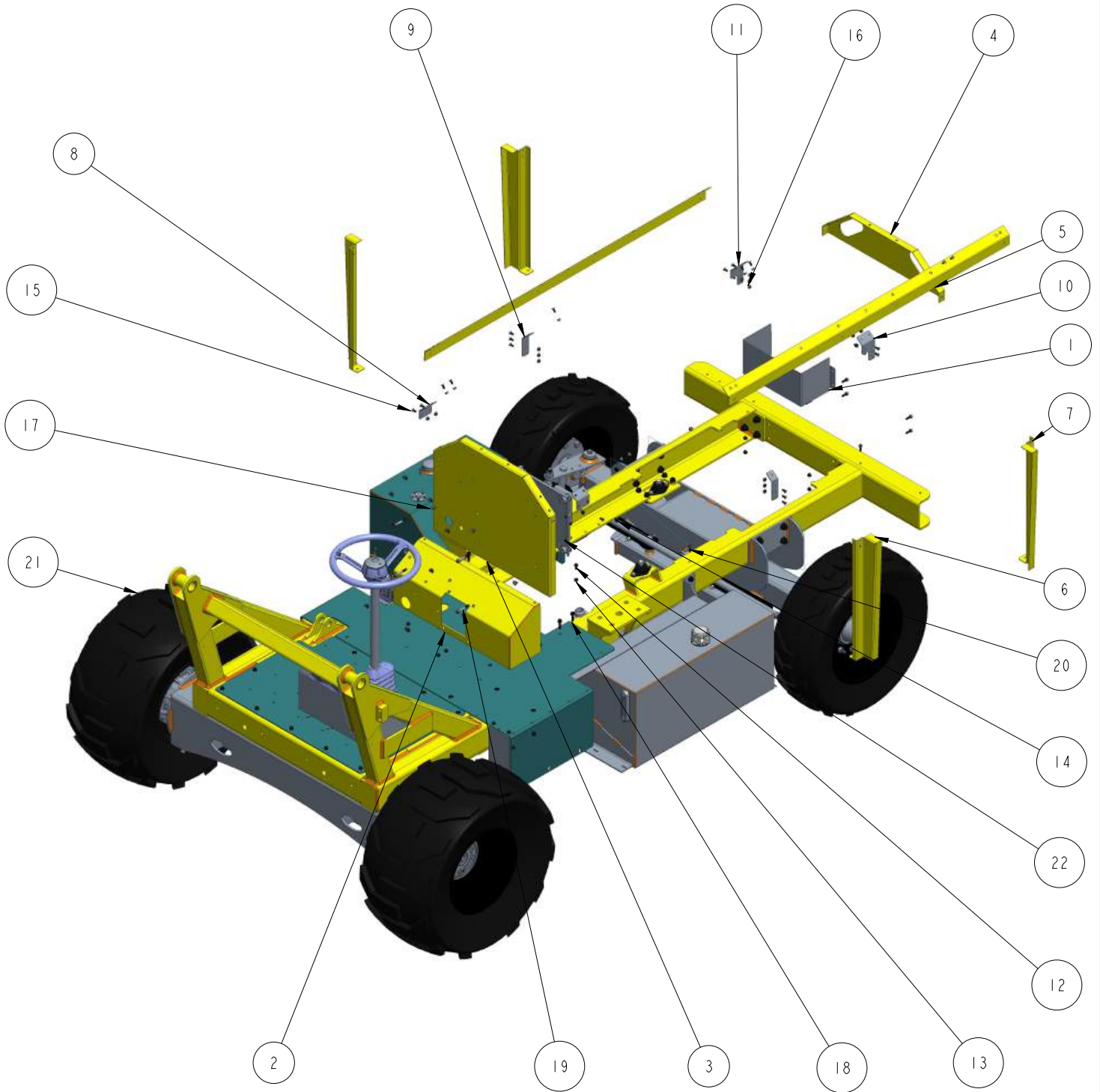


SCALE 0.050
EXPLODED VIEW

7504008

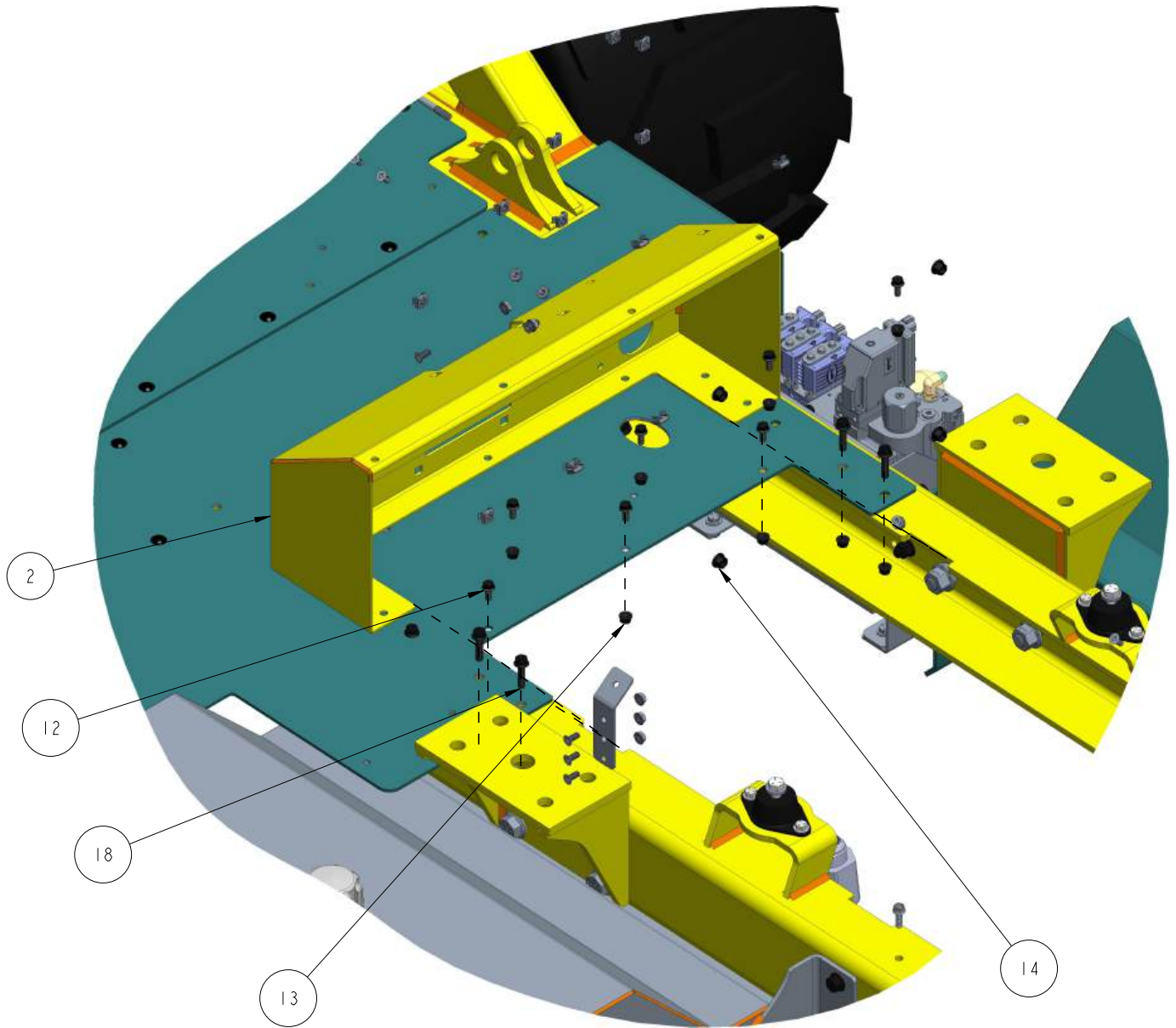
7	7504006	Tanks Install	1	
6	4253209	3/8-16 Serrated flange nut Zinc	9	
5	4253208	Painted carriage bolt. Black	9	
4	4253132	3/8-16 X 1/12" Flange bolt Black Ph.	10	
3	4253081	3/8 - 16 Locking Flange nut Blk Phosphate	10	
2	1253027	Front floor pan assembly	1	
1	1253009	Floor pan assembly	1	
ITEM NO	PART NUMBER	DESCRIPTION	QTY	NOTES

7504010



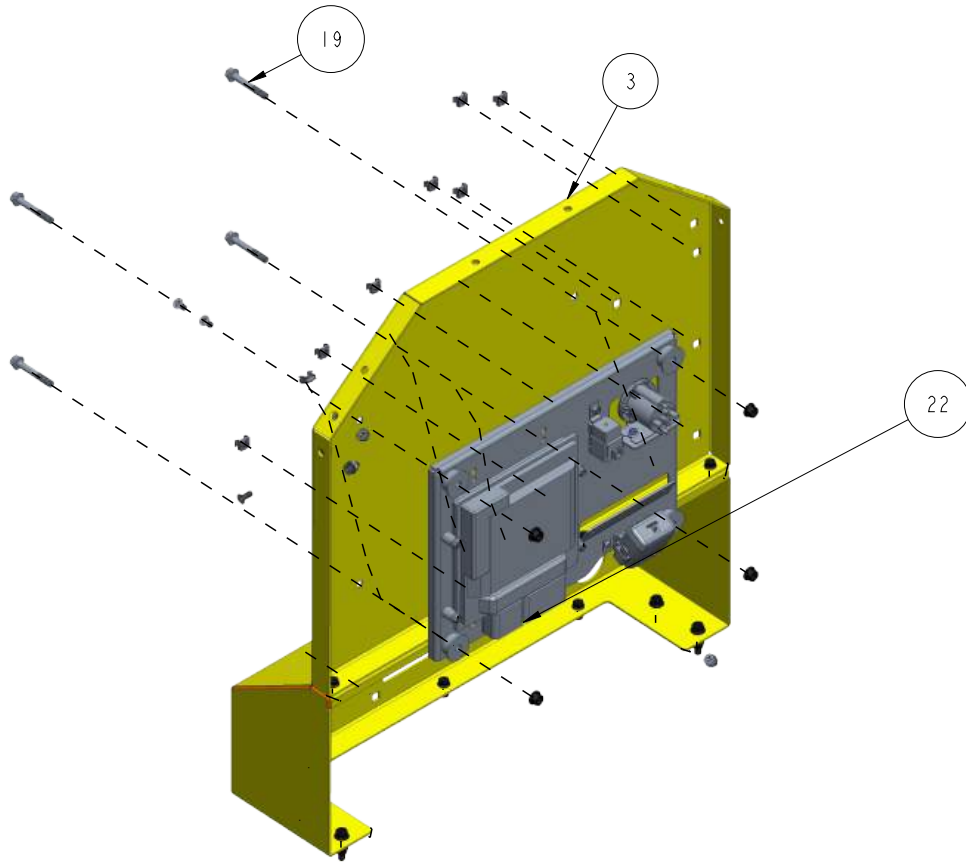
SCALE 0.040
EXPLODED VIEW

7504010

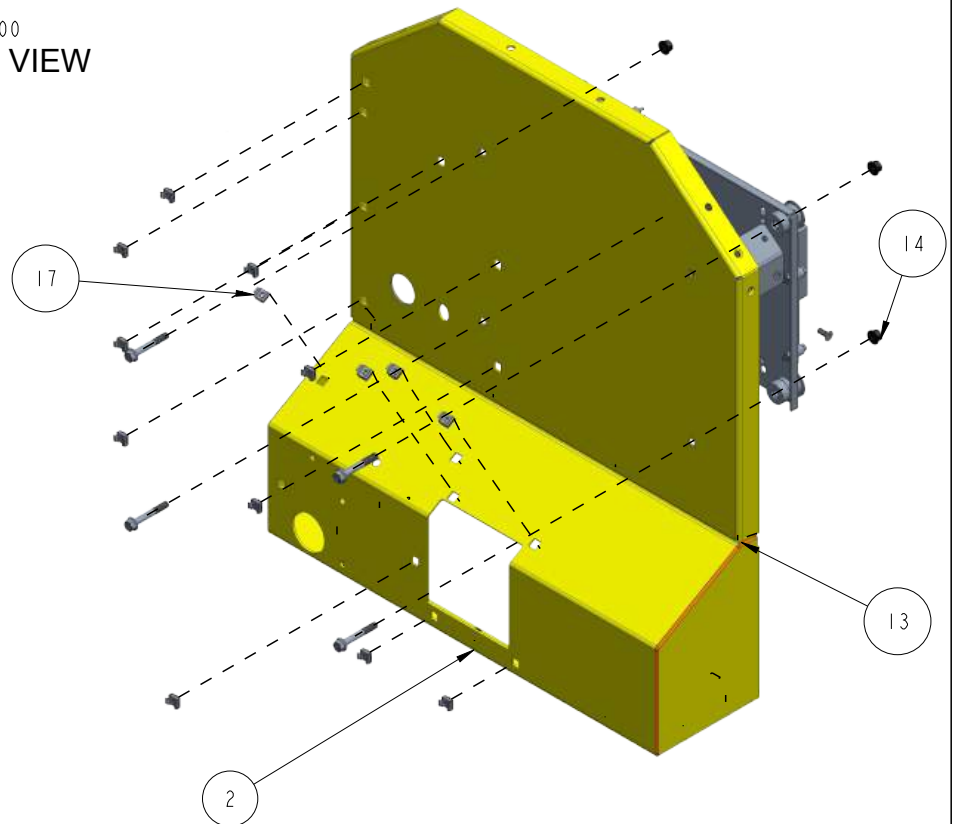


SCALE 0.120
EXPLODED VIEW

7504010

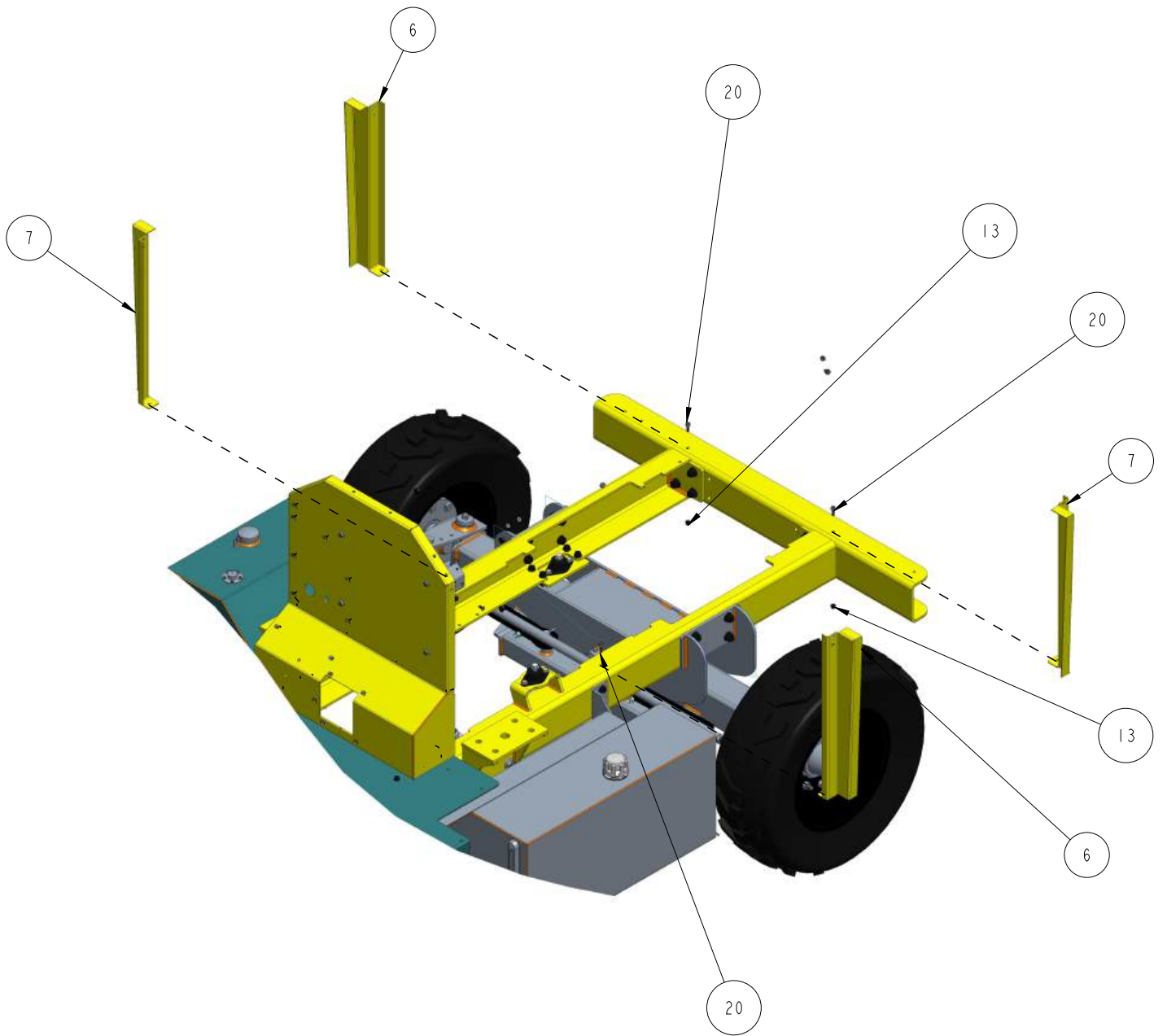


SCALE 0.100
EXPLODED VIEW



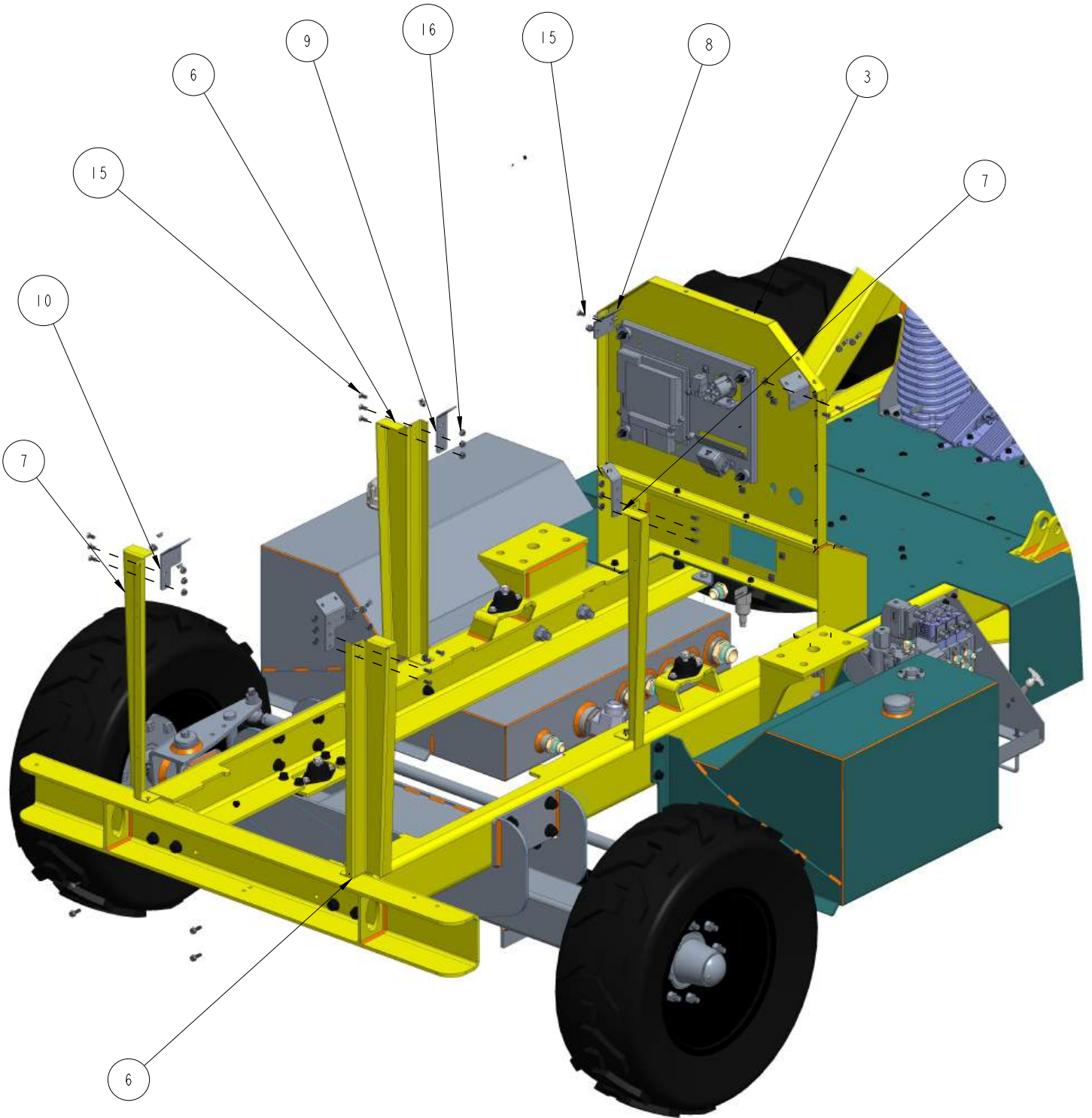
SCALE 0.100
EXPLODED VIEW

7504010



SCALE 0.050
EXPLODED VIEW

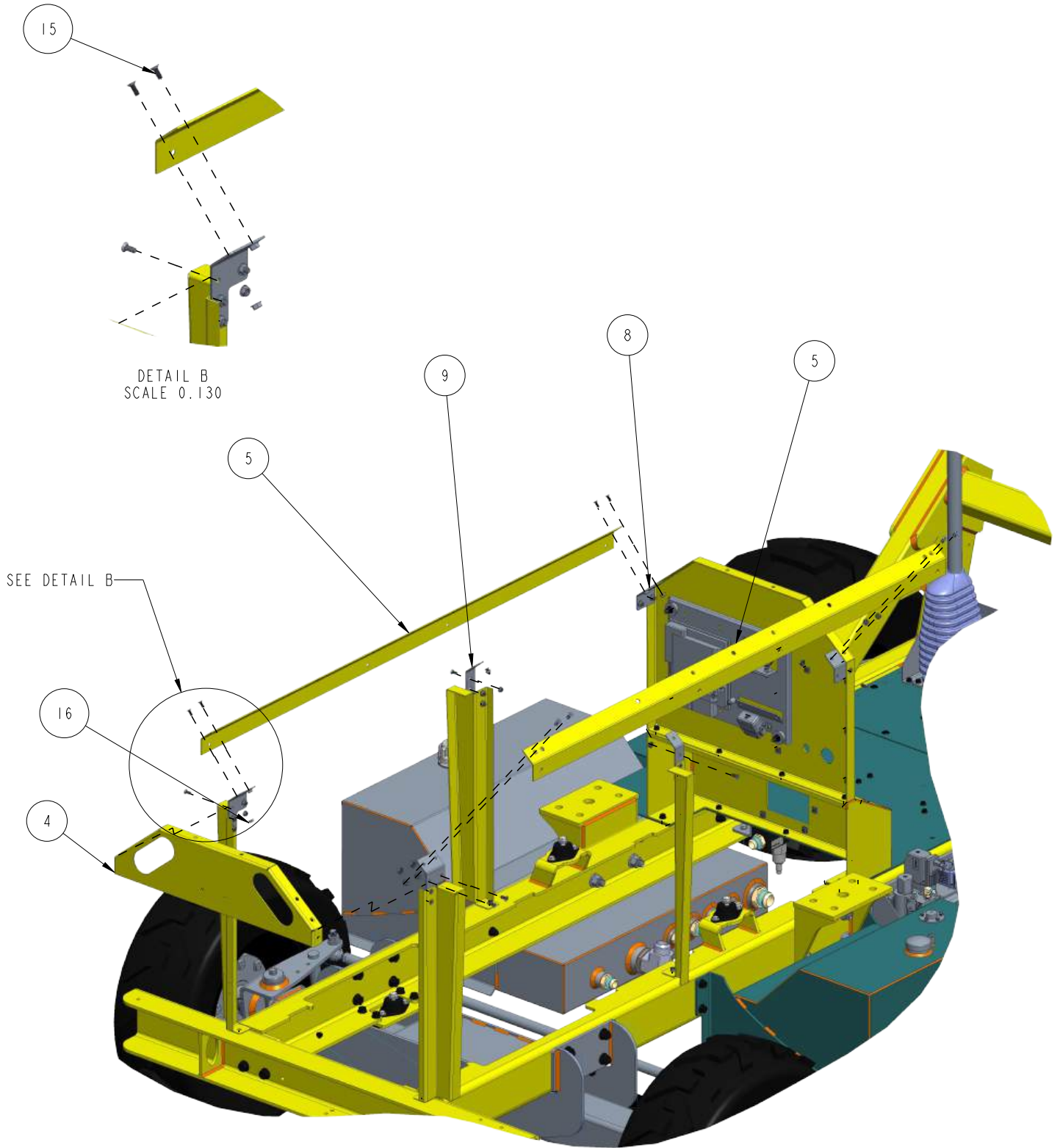
7504010



SCALE 0.070

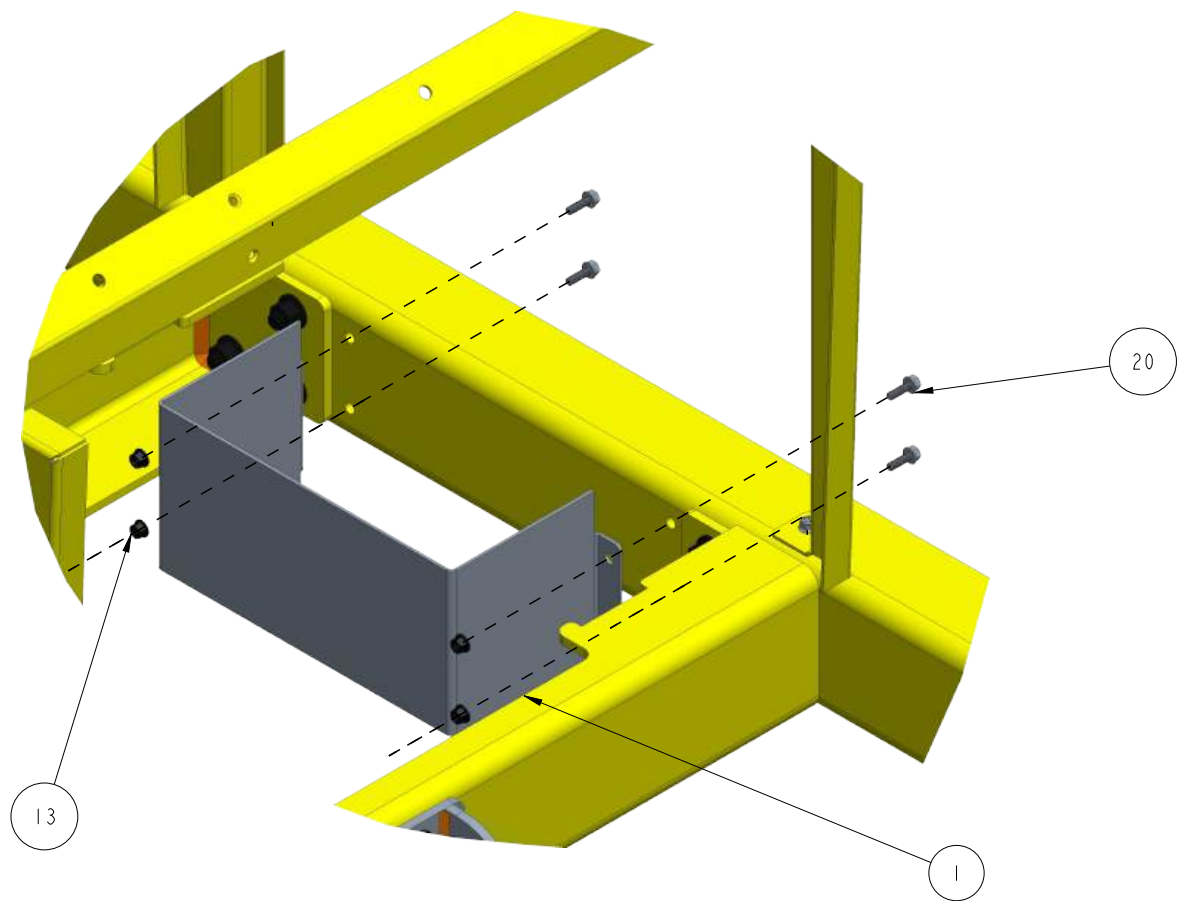
EXPLODED VIEW

7504010



SCALE 0.065
EXPLODED VIEW

7504010

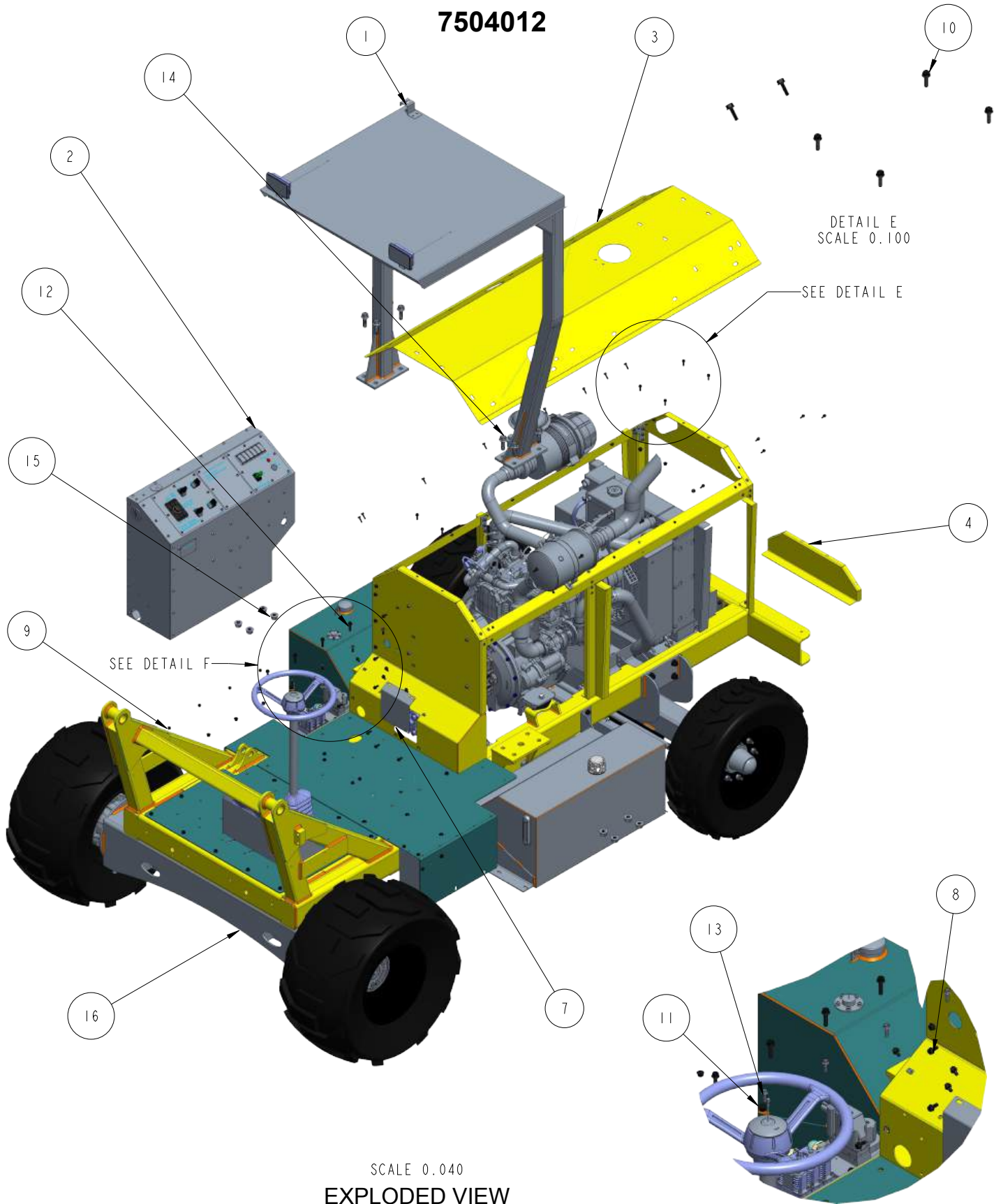


DETAIL D
SCALE 0.150
ASSEMBLED VIEW

7504010

22	CUMMINS-ECM	CUMMINS-ECM.ASM	1	
21	7504008	Floor pans	1	
20	4253140	5/16-18 x 1 Flange bolt Black Phosphate	8	
19	4253137	3/8-16 x 2 1/2 Flange bolt Black Phosphate	4	
18	4253132	3/8-16 X 1/12" Flange bolt Black Ph.	4	
17	4253130	5/16-18 nut retainer 10 ga	15	
16	4253129	5/16-18 Serrated Flange Nut Zinc	28	
15	4253128	5/16 -18 x 3/4 Phil flat undercut mach sc	28	
14	4253081	3/8 - 16 Locking Flange nut Blk Phosphate	4	
13	4253079	5/16-18 Locking flange nut Blk Phosphate	19	
12	4253078	5/16-18 x 3/4" Flang head bolt Blk Phosphate	7	
11	3251104	Bracket right rear	1	
10	3251103	Bracket Left rear	1	
9	3251102	Bracket middle strut	2	
8	3251101	Bracket	2	
7	3251098	vertical strut left	2	
6	3251097	vertical strut Right	2	
5	3251095	Angle strut	2	
4	3251094	Body mount cross panel	1	
3	3251086	Fire wall	1	
2	2252021	Firewall base weldment	1	
1	2252020	Battery box weldment	1	
ITEM NO	PART NUMBER	DESCRIPTION	QTY	NOTES

7504012



DETAIL E
SCALE 0.100

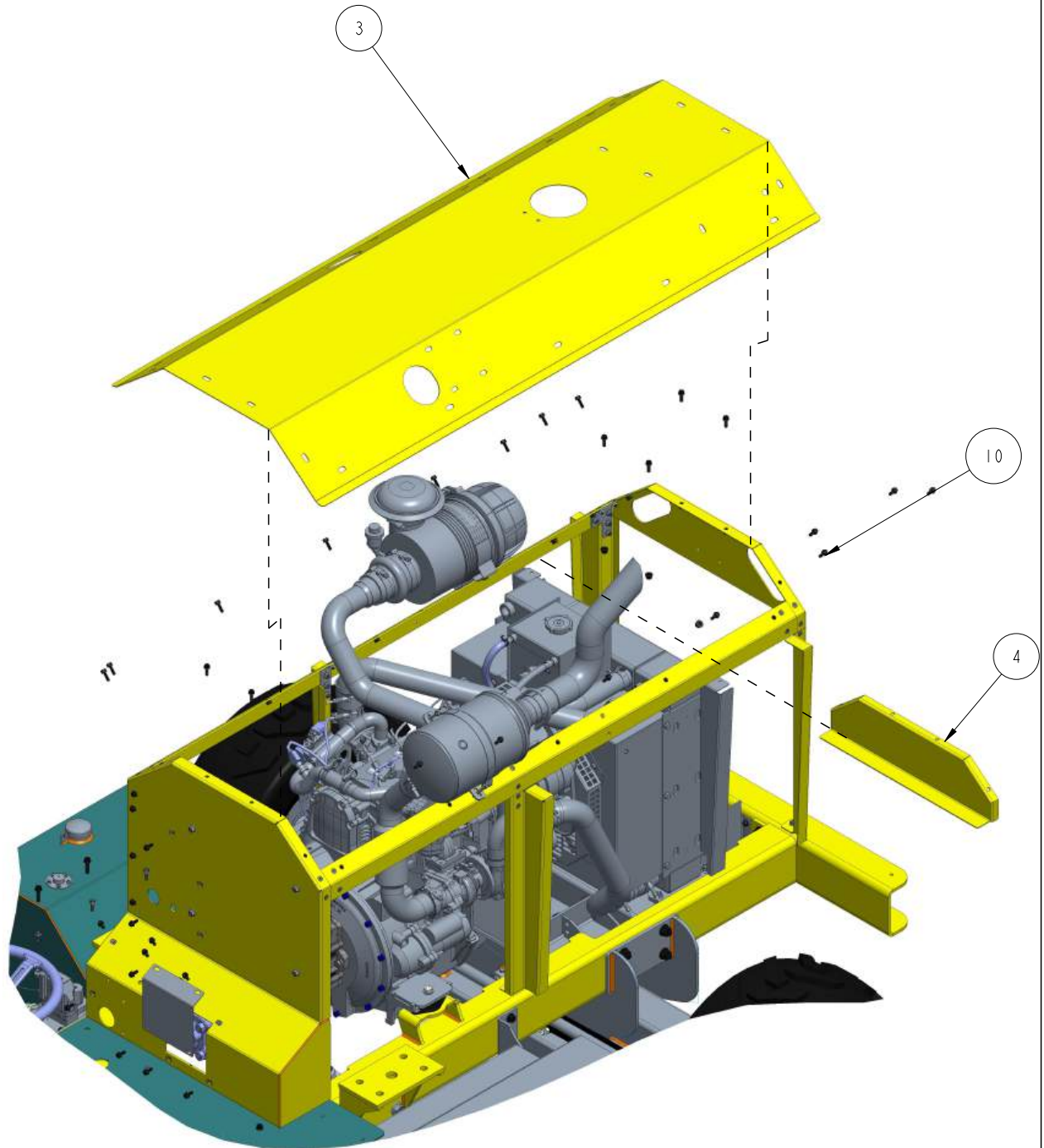
SEE DETAIL E

SEE DETAIL F

SCALE 0.040
EXPLODED VIEW

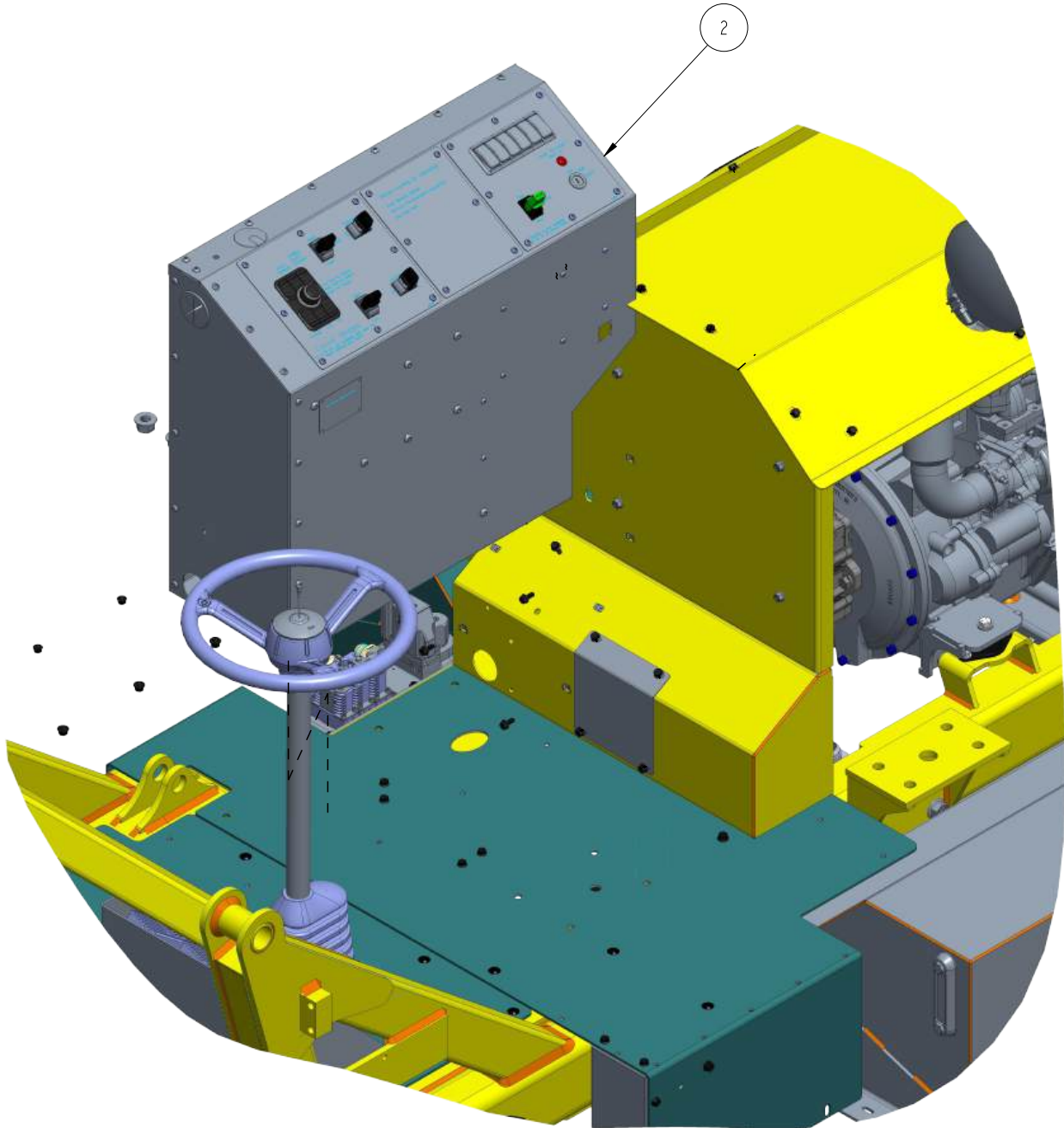
DETAIL F
SCALE 0.080

7504012



SCALE 0.060
EXPLODED VIEW

7504012

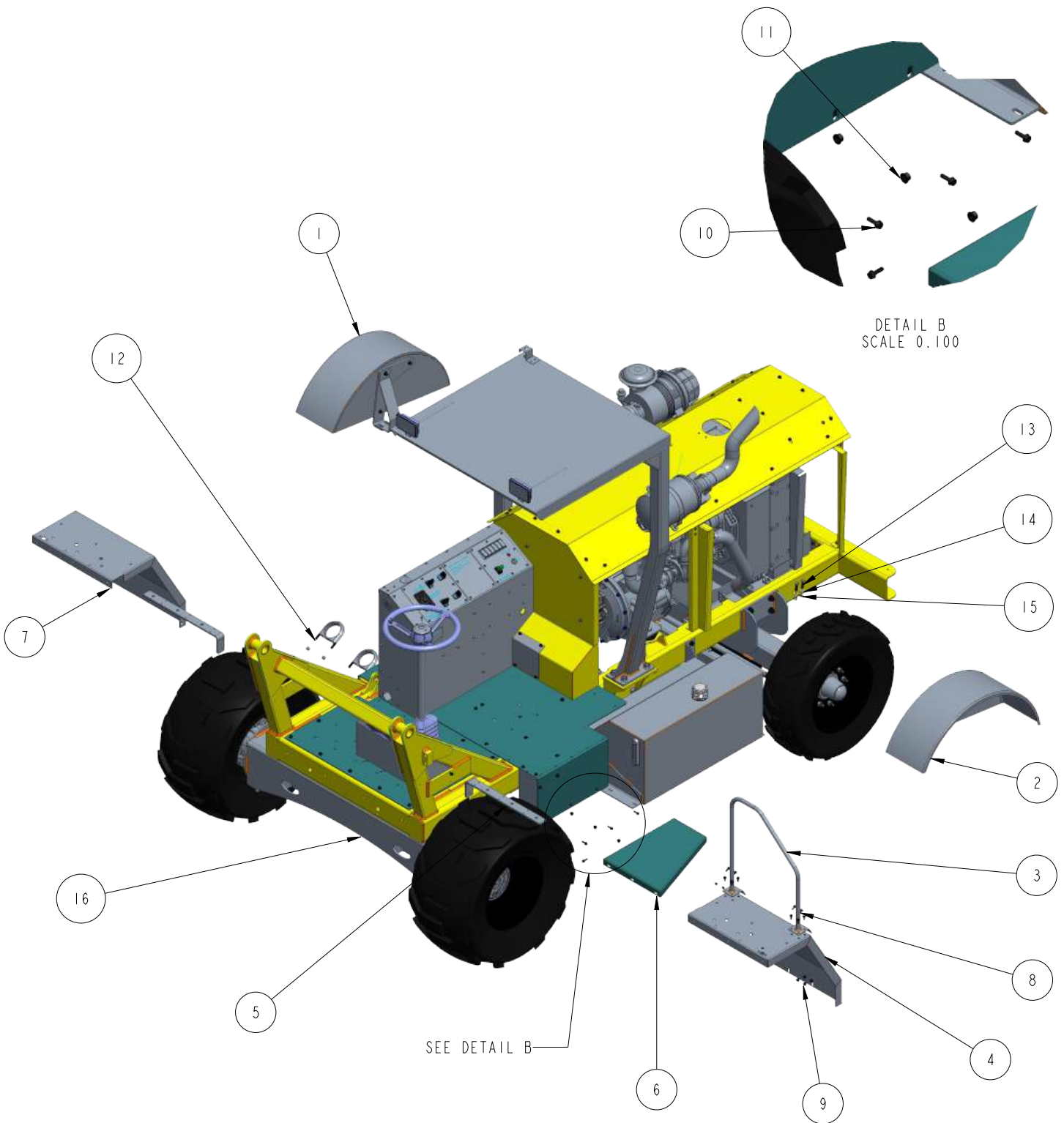


SCALE 0.090
EXPLODED VIEW

7504012

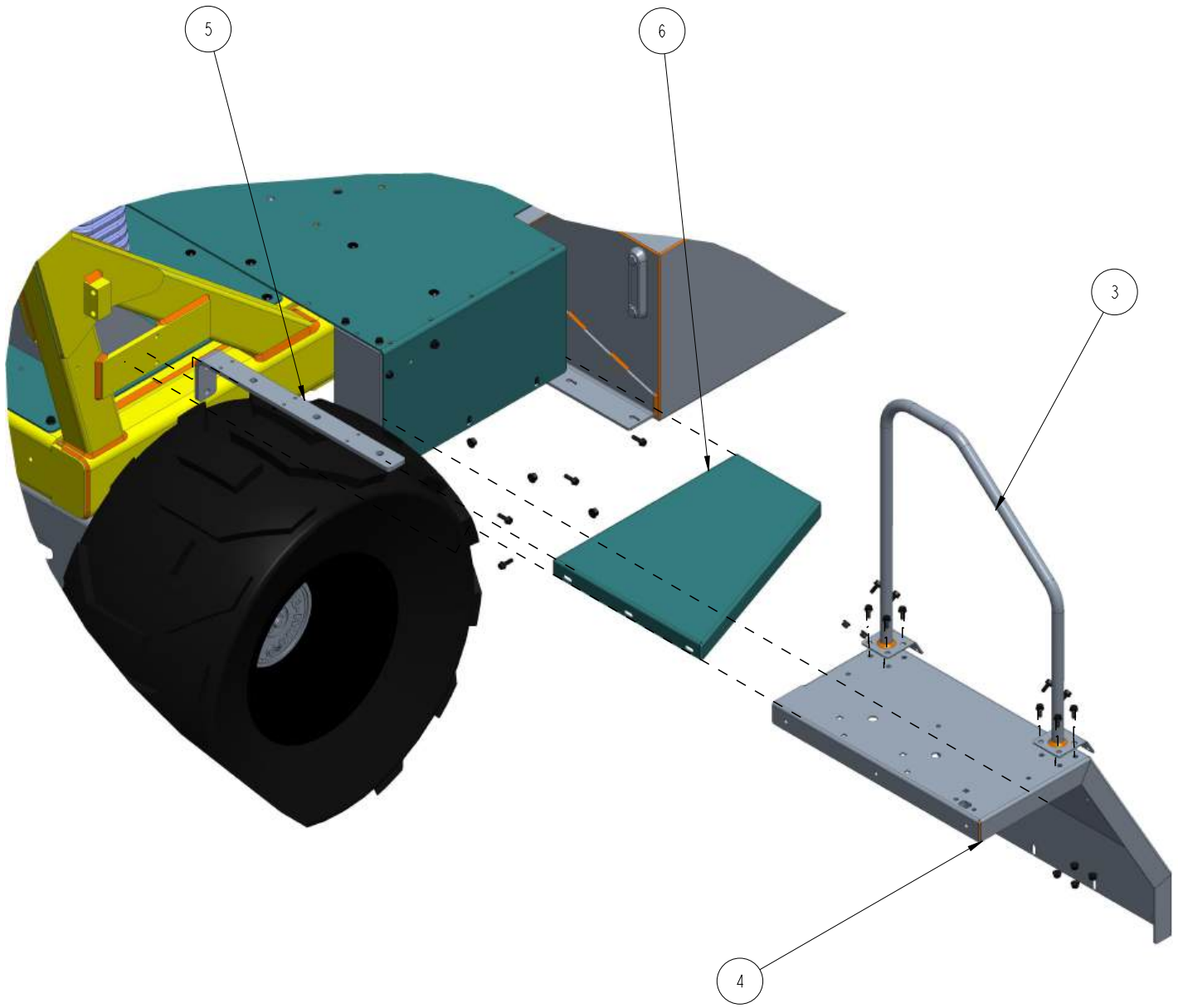
16	7504010	Firewall & framework	1	
15	4253314	3/4-10 Locking Flange nut Black Phosphate	8	
14	4253313	3/4-10 X 2 1/4" Flange head bolt. Black Phosphate	8	
13	4253140	5/16-18 x 1 Flange bolt Black Phosphate	4	
12	4253132	3/8-16 X 1/12" Flange bolt Black Ph.	4	
11	4253081	3/8 - 16 Locking Flange nut Blk Phosphate	26	
10	4253080	3/8-16 x 1 Flange head bolt Blk Phosphate	22	
9	4253079	5/16-18 Locking flange nut Blk Phosphate	4	
8	4253078	5/16-18 x 3/4" Flang head bolt Blk Phosphate	15	
7	3251293	Firewall pump acc. Cover	1	
6	3251210	Radiator seal channel RH	1	
5	3251147	Radiator seal channel LH	1	
4	3251120	Foam seal bracket	1	
3	3251100	Hood	1	
2	1253013	Control panel complete assembly	1	
1	1252038	ROPS assembly	1	
ITEM NO	PART NUMBER	DESCRIPTION	QTY	NOTES

7504014



SCALE 0.035
EXPLODED VIEW

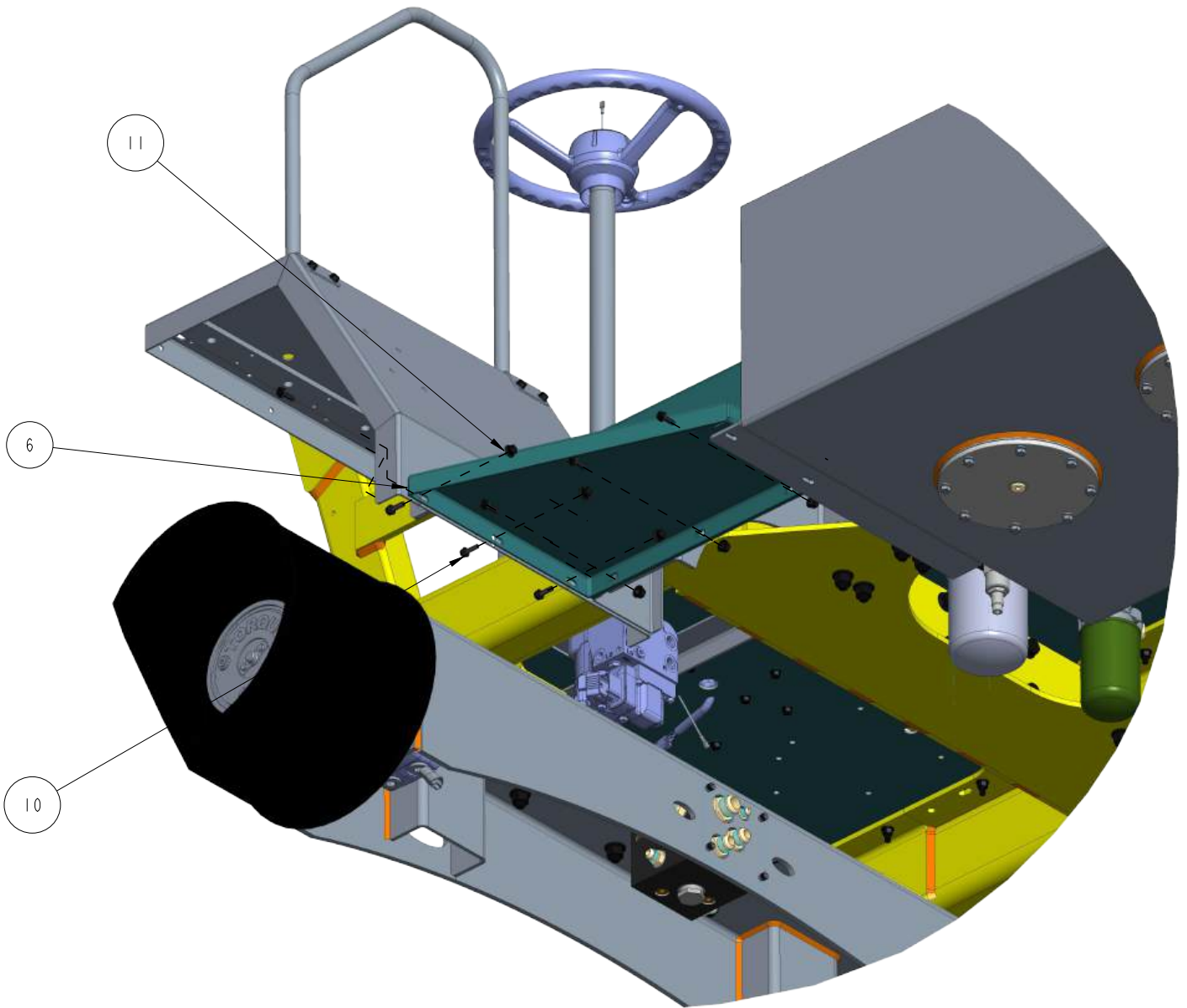
7504014



SCALE 0.080

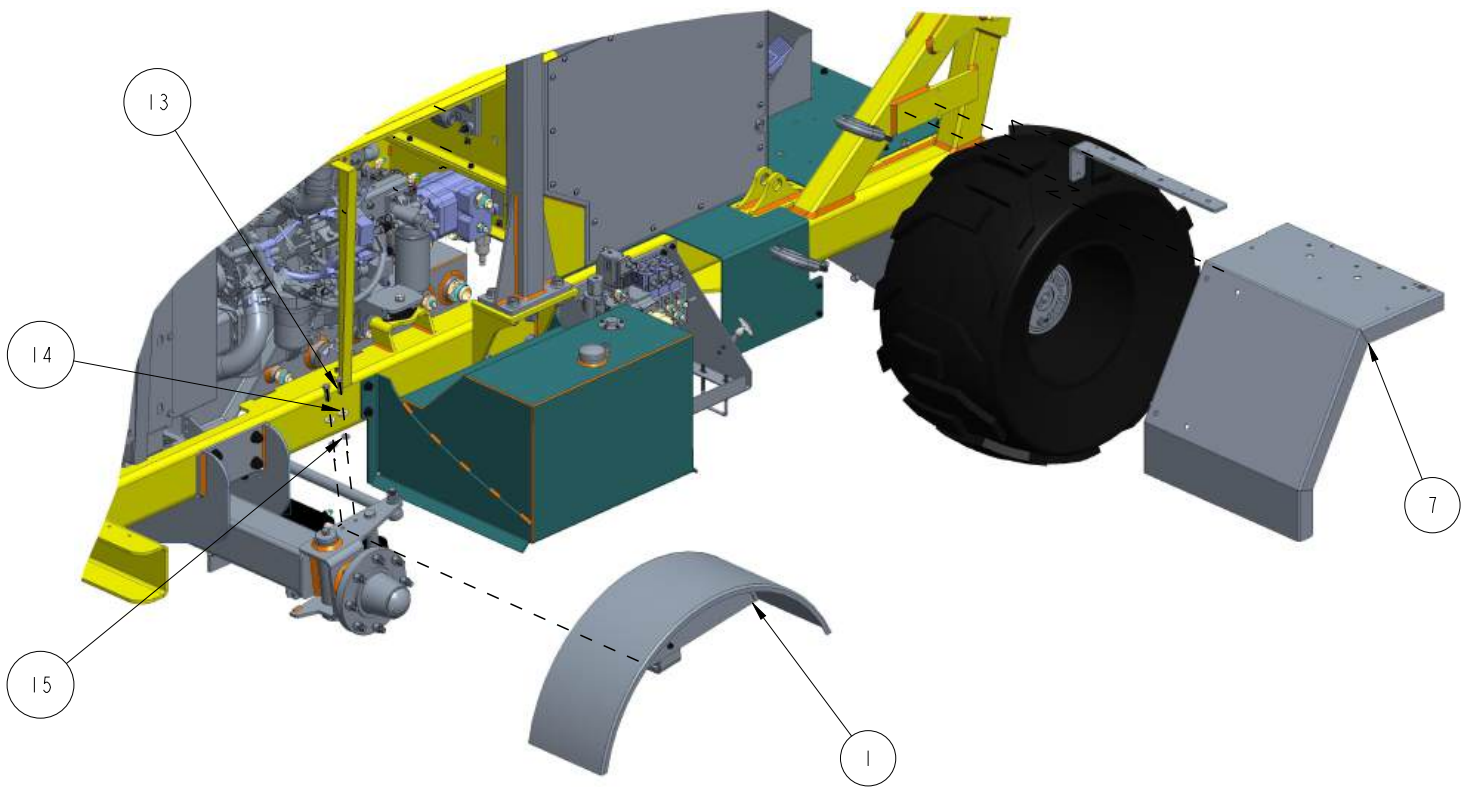
EXPLODED VIEW

7504014



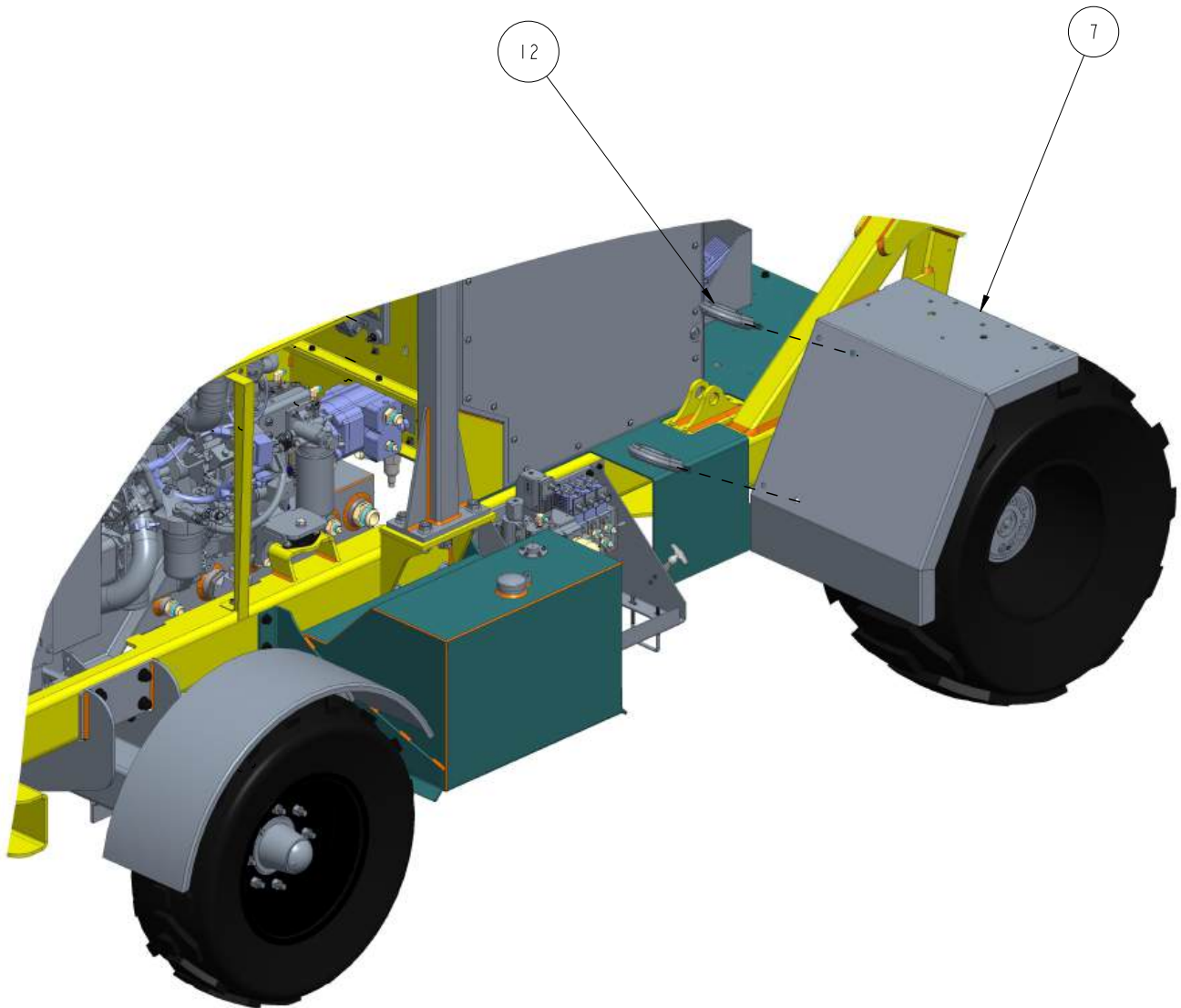
SCALE 0.100
EXPLODED VIEW

7504014



SCALE 0.050
EXPLODED VIEW

7504014

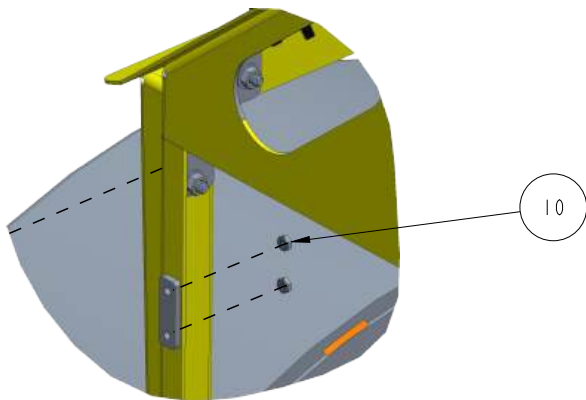
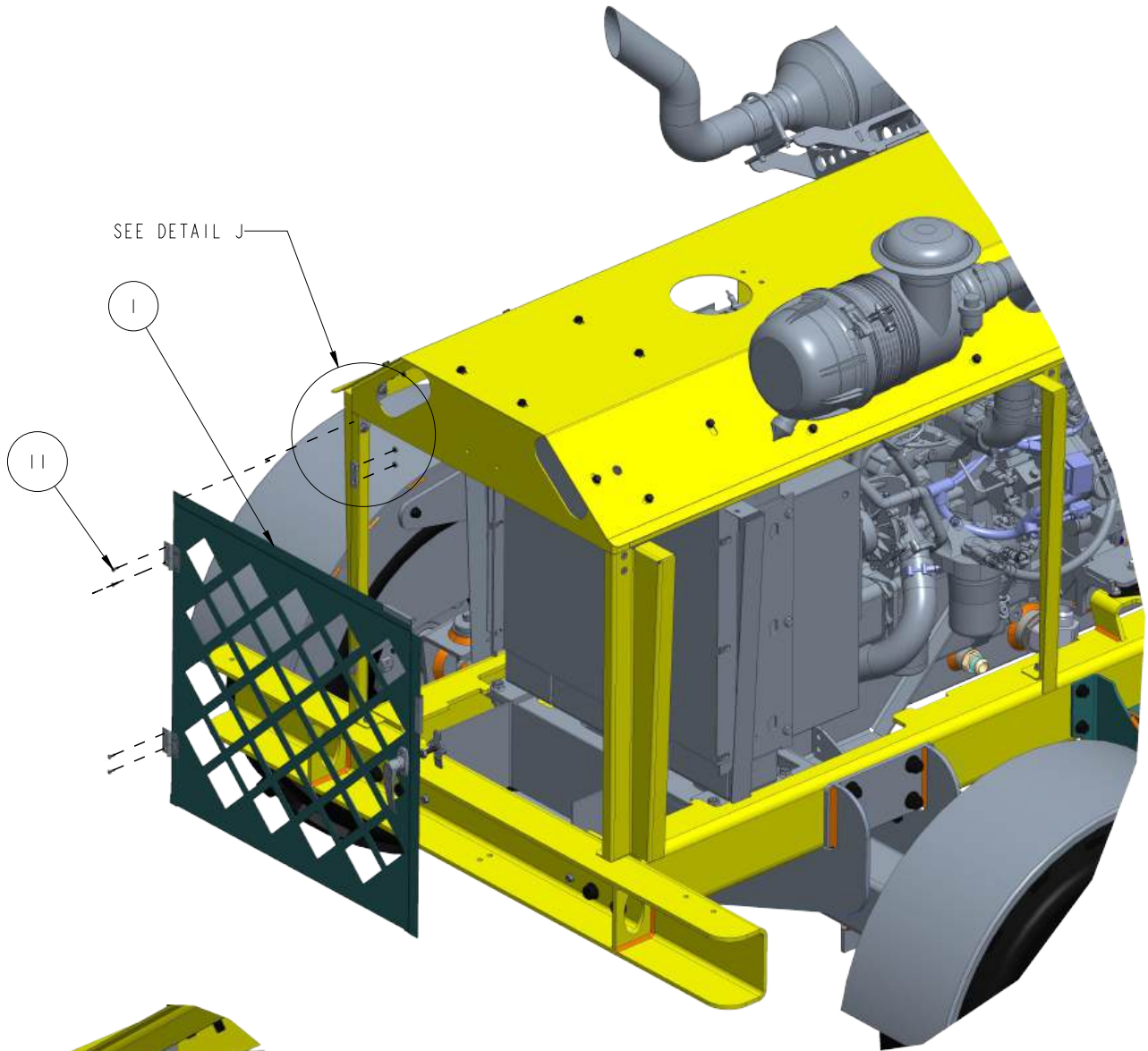


SCALE 0.060
EXPLODED VIEW

7504014

16	7504012	Hood & Control panel	1	
15	5555207	1/2" lock washer Zinc	4	
14	5555007	1/2" Flat washer SAE Zinc	4	
13	5540407	HHCS 1/2"-13 X 1 1/2" Zinc	4	
12	4253240	Lined U bolt.	2	
11	4253081	3/8 - 16 Locking Flange nut Blk Phosphate	10	
10	4253080	3/8-16 x 1 Flange head bolt Blk Phosphate	11	
9	4253079	5/16-18 Locking flange nut Blk Phosphate	12	
8	4253078	5/16-18 x 3/4" Flang head bolt Blk Phosphate	12	
7	3251077	Front Fender RH	1	
6	3251076	Step LH	1	
5	3251075	Front fender bracket	2	
4	3251074	Front fender LH	1	
3	2252051	Fender mounted grab handle weldment	1	
2	1252037	Left rear fender assembly	1	
1	1252036	Right Rear fender assembly	1	
ITEM NO	PART NUMBER	DESCRIPTION	QTY	NOTES

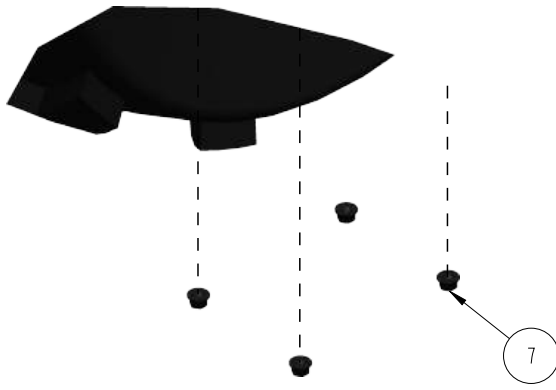
7504016



SCALE 0.080
EXPLODED VIEW

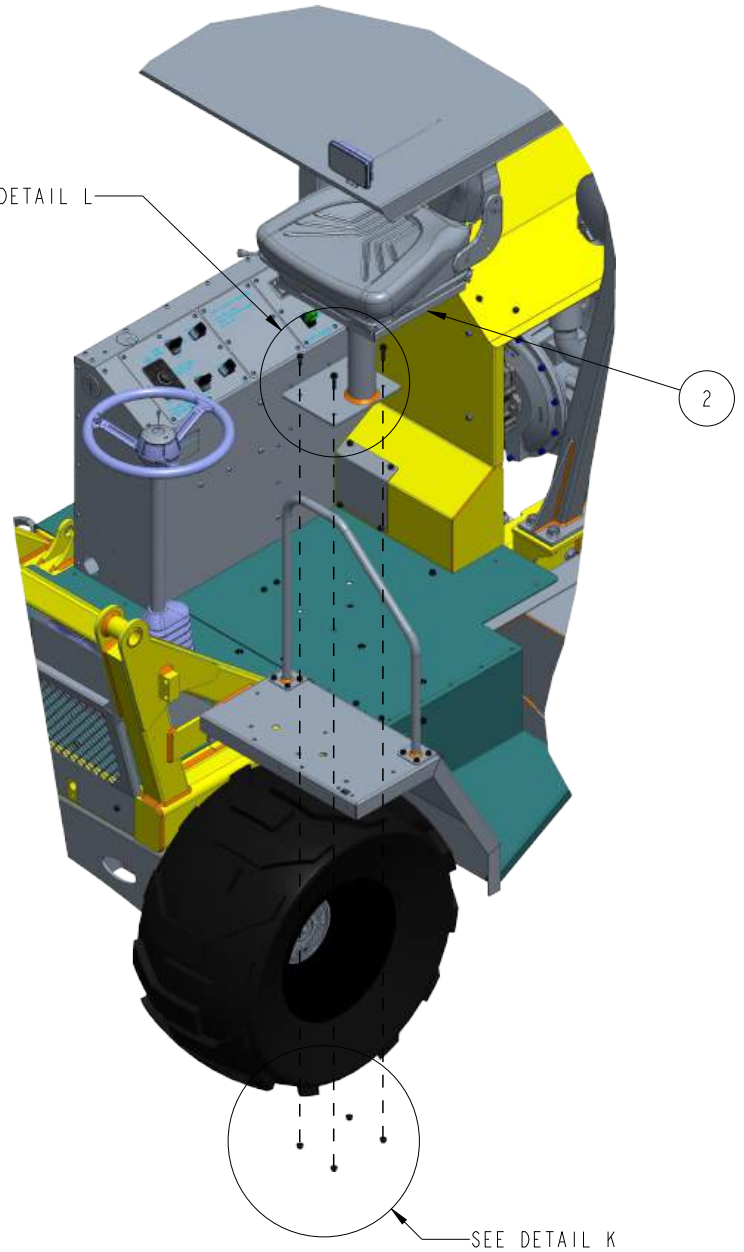
DETAIL J
SCALE 0.200

7504016



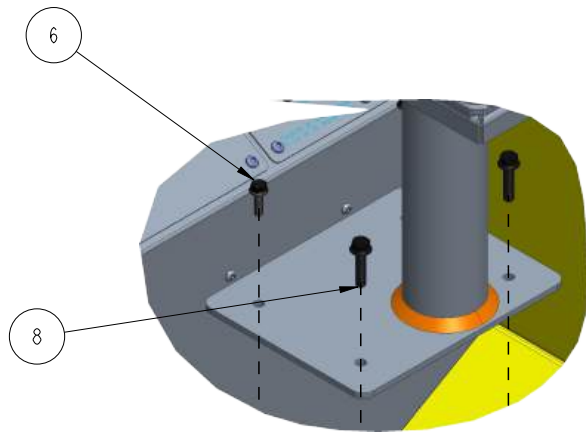
DETAIL K
SCALE 0.150

SEE DETAIL L



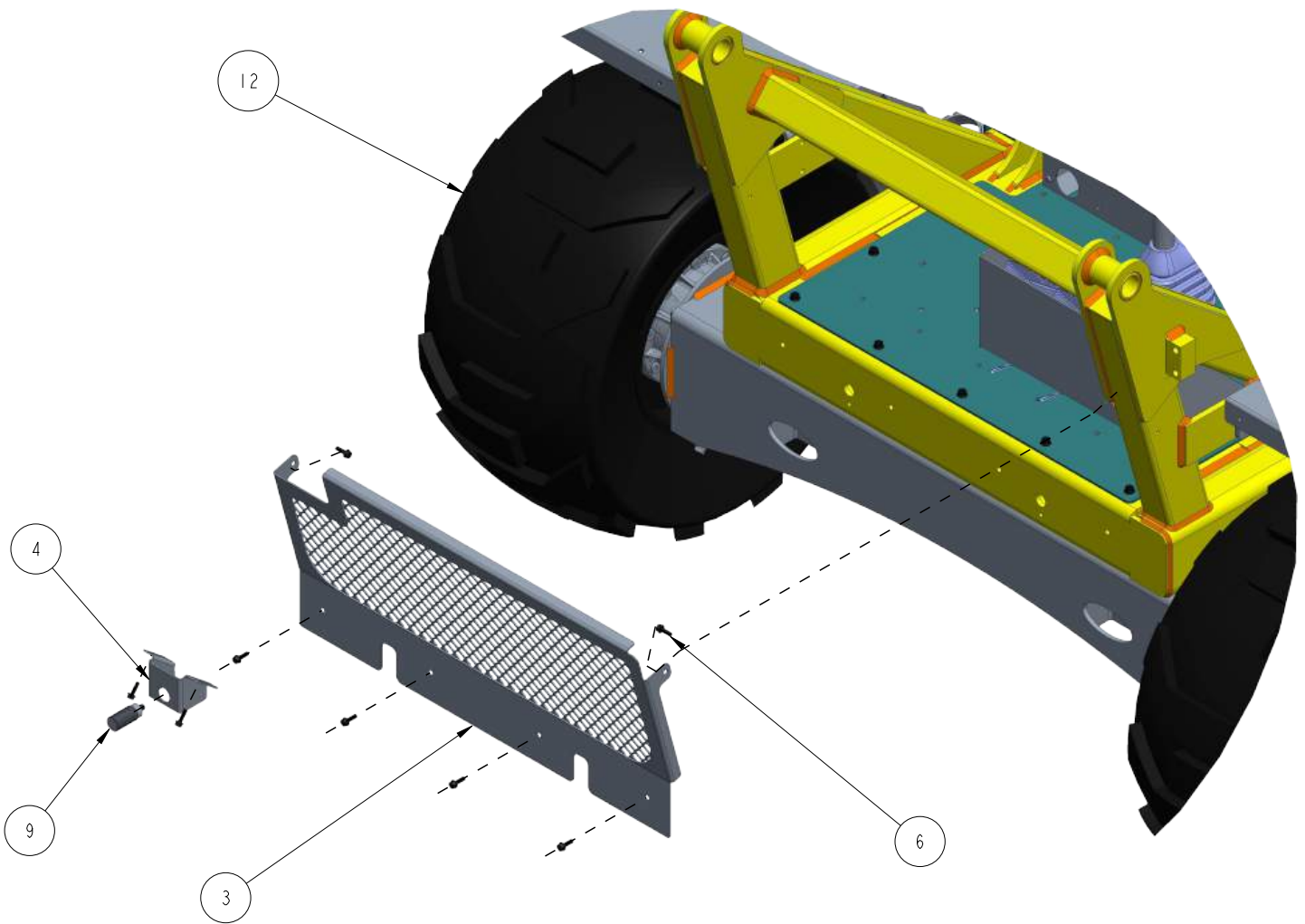
SCALE 0.050

EXPLODED VIEW



DETAIL L
SCALE 0.150

7504016

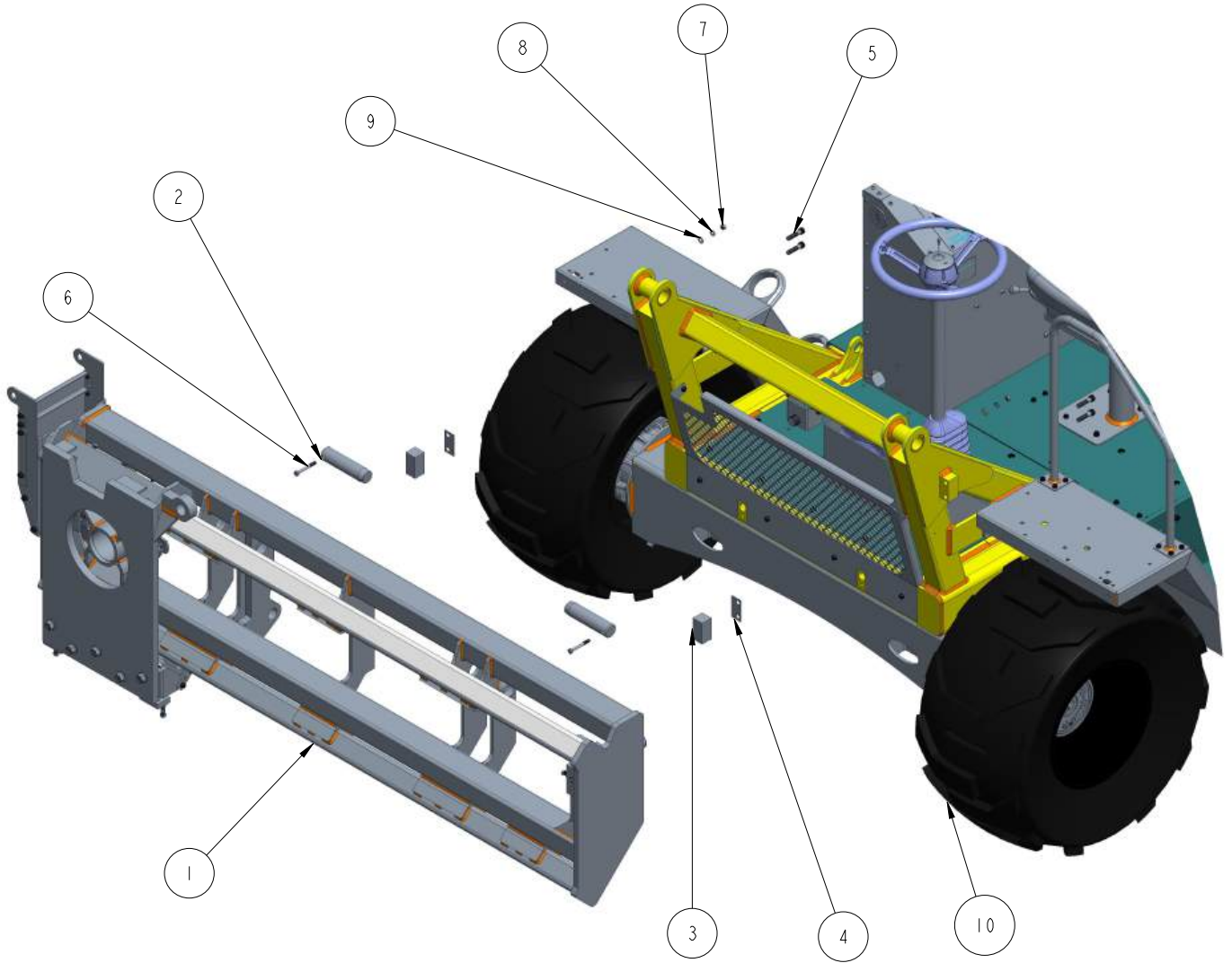


SCALE 0.080
EXPLODED VIEW

7504016

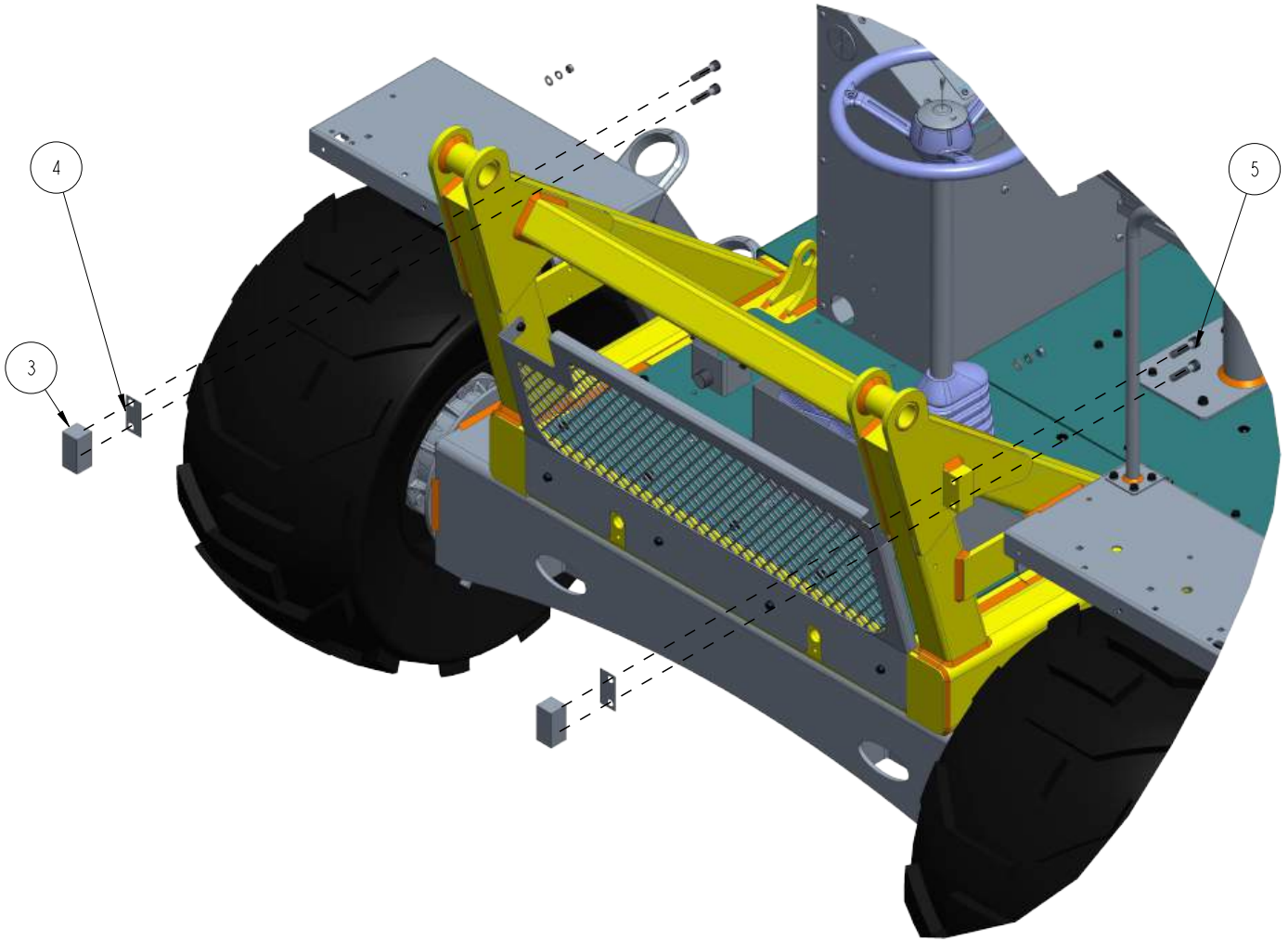
12	7504014	Fenders and step	1	
11	4253262	10-24x 1/2 SCREW 18-8 SS	4	
10	4253254	10-24 SS LOCKNUT W/ LK WHR	4	
9	4253199	30 mm sensor	1	
8	4253132	3/8-16 X 1/12" Flange bolt Black Ph.	2	
7	4253081	3/8 - 16 Locking Flange nut Blk Phosphate	8	
6	4253080	3/8-16 x 1 Flange head bolt Blk Phosphate	10	
5	3251300	Rear Door Spacer	2	
4	3251138	Layback sensor mount	1	
3	2252026	Debris screen weldment	1	
2	1253016	Seat assembly	1	
1	1252039	Rear door assembly	1	
ITEM NO	PART NUMBER	DESCRIPTION	QTY	NOTES

7504018



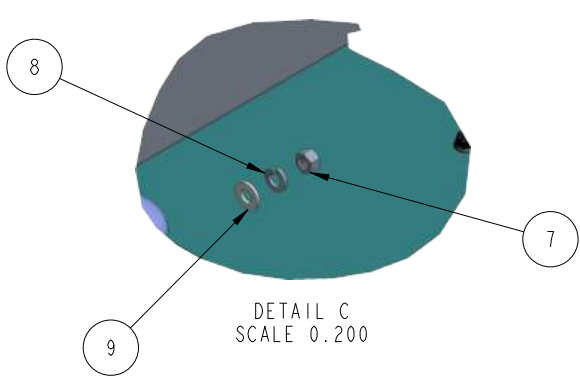
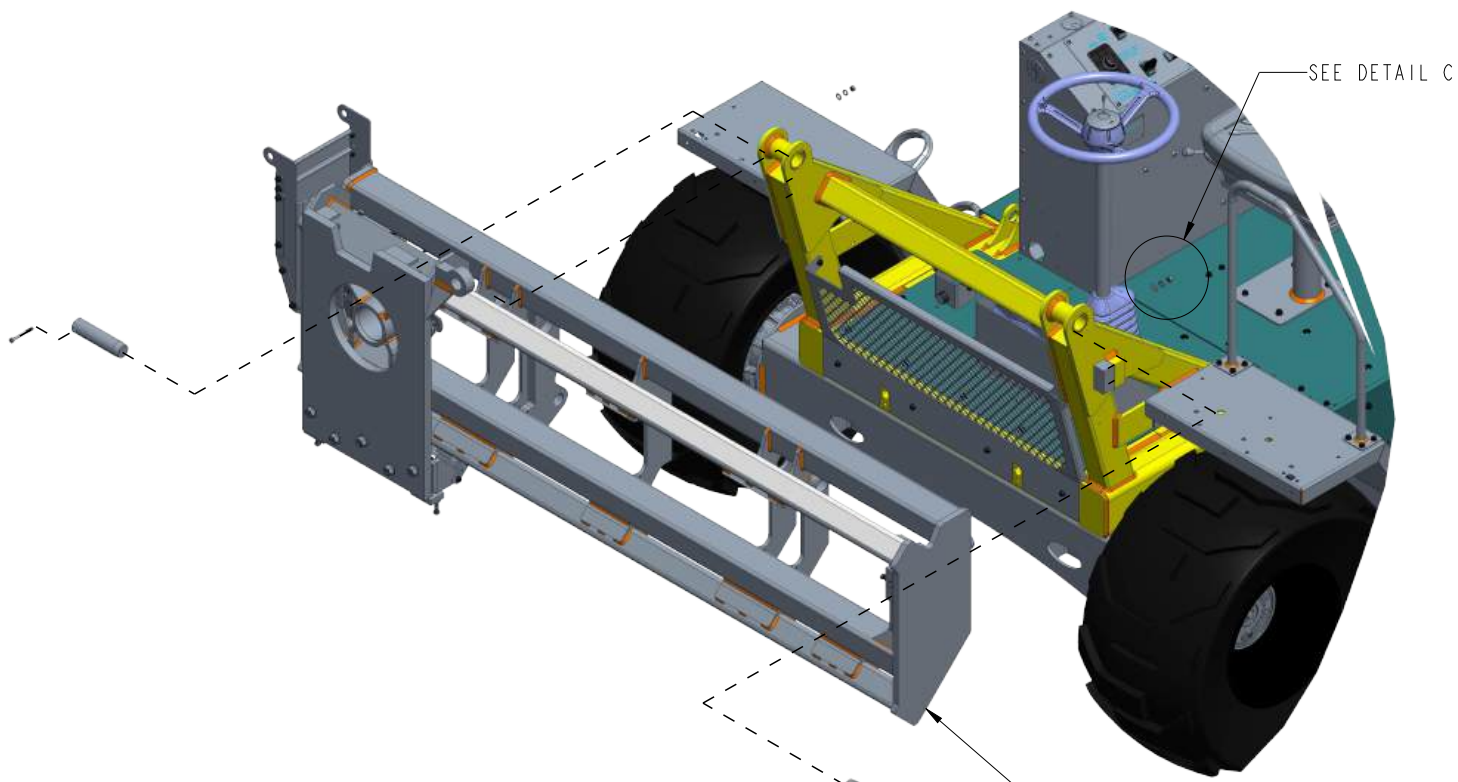
EXPLODED VIEW

7504018



SCALE 0.080
EXPLODED VIEW

7504018

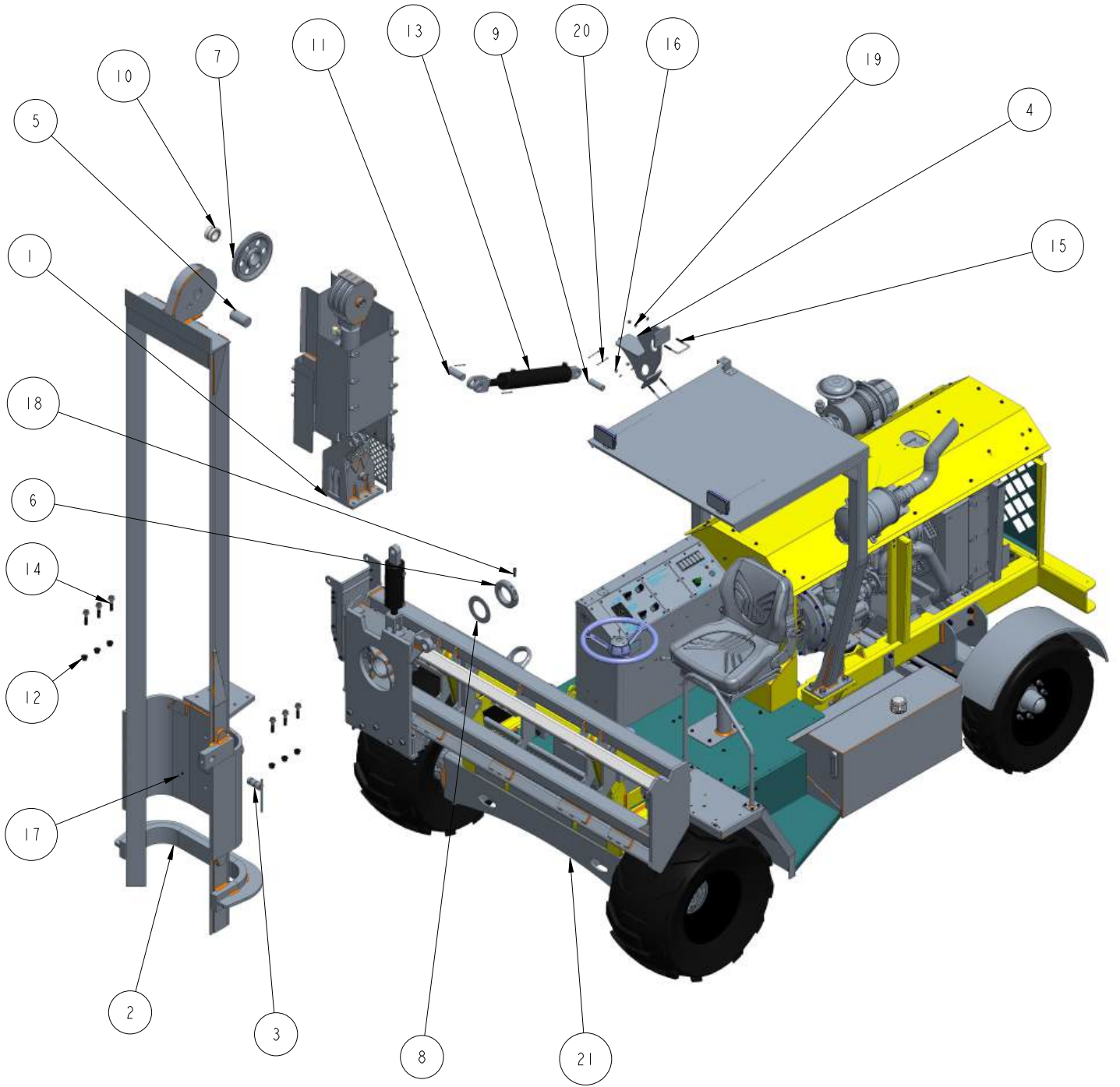


SCALE 0.050
EXPLODED VIEW

7504018

10	7504016	Seat and rear door assembly	1	
9	5555256	3/8 Flat washer SAE Zinc	2	
8	5555205	3/8" lock washer zinc	2	
7	5550012	3/8 - 16 Hex nut Zinc	2	
6	5540213	HHCS 3/8-16 x 3" GD5 Zinc	2	
5	4253258	LEAD STOP BOLTS	4	
4	3251211	Lead stop spacer .063	2	
3	3251153	Stop block tapped	2	
2	3000709	HINGE PIN	2	
1	1253022	Slide assembly	1	
ITEM NO	PART NUMBER	DESCRIPTION	QTY	NOTES

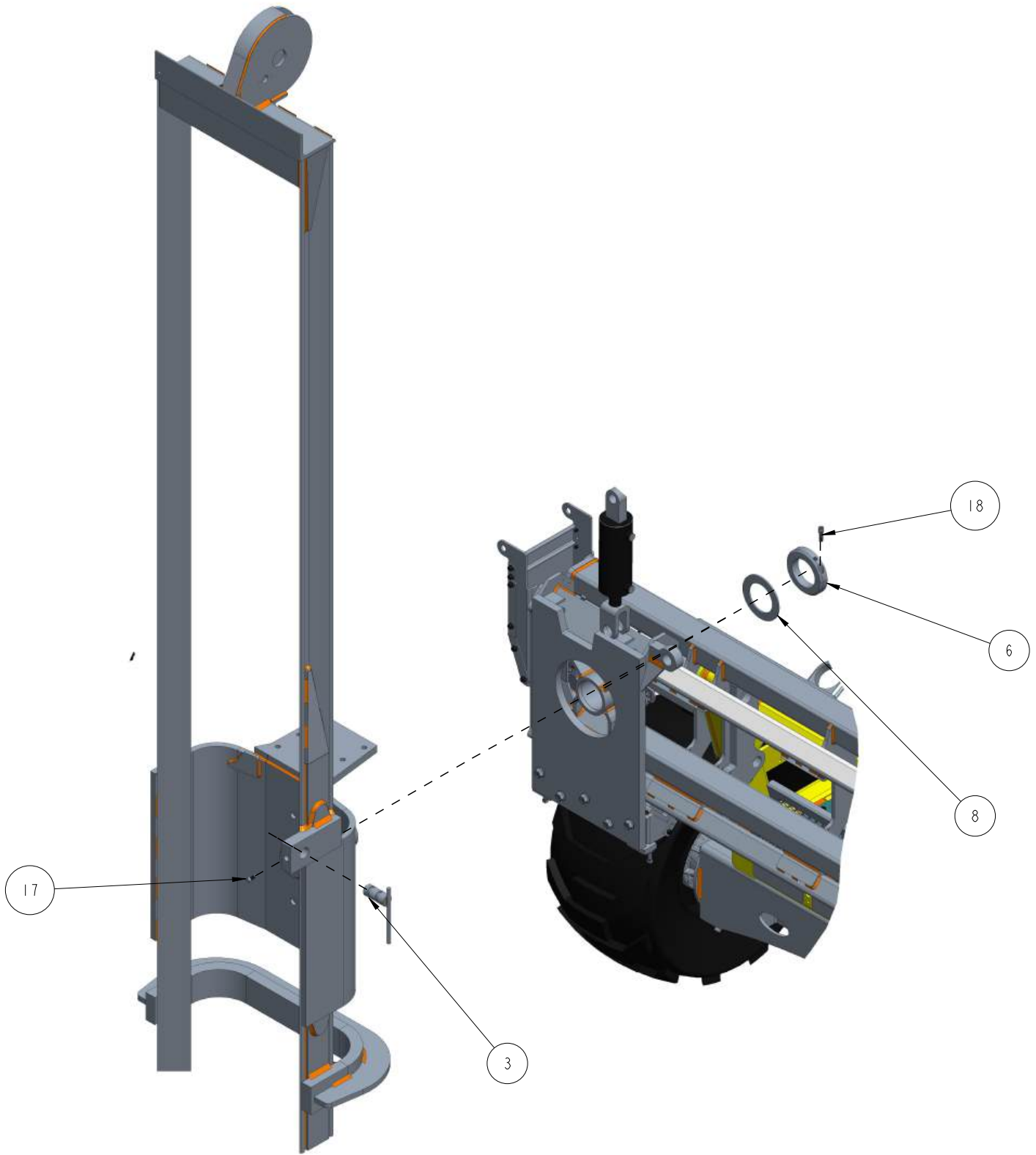
7504020



SCALE 0.033

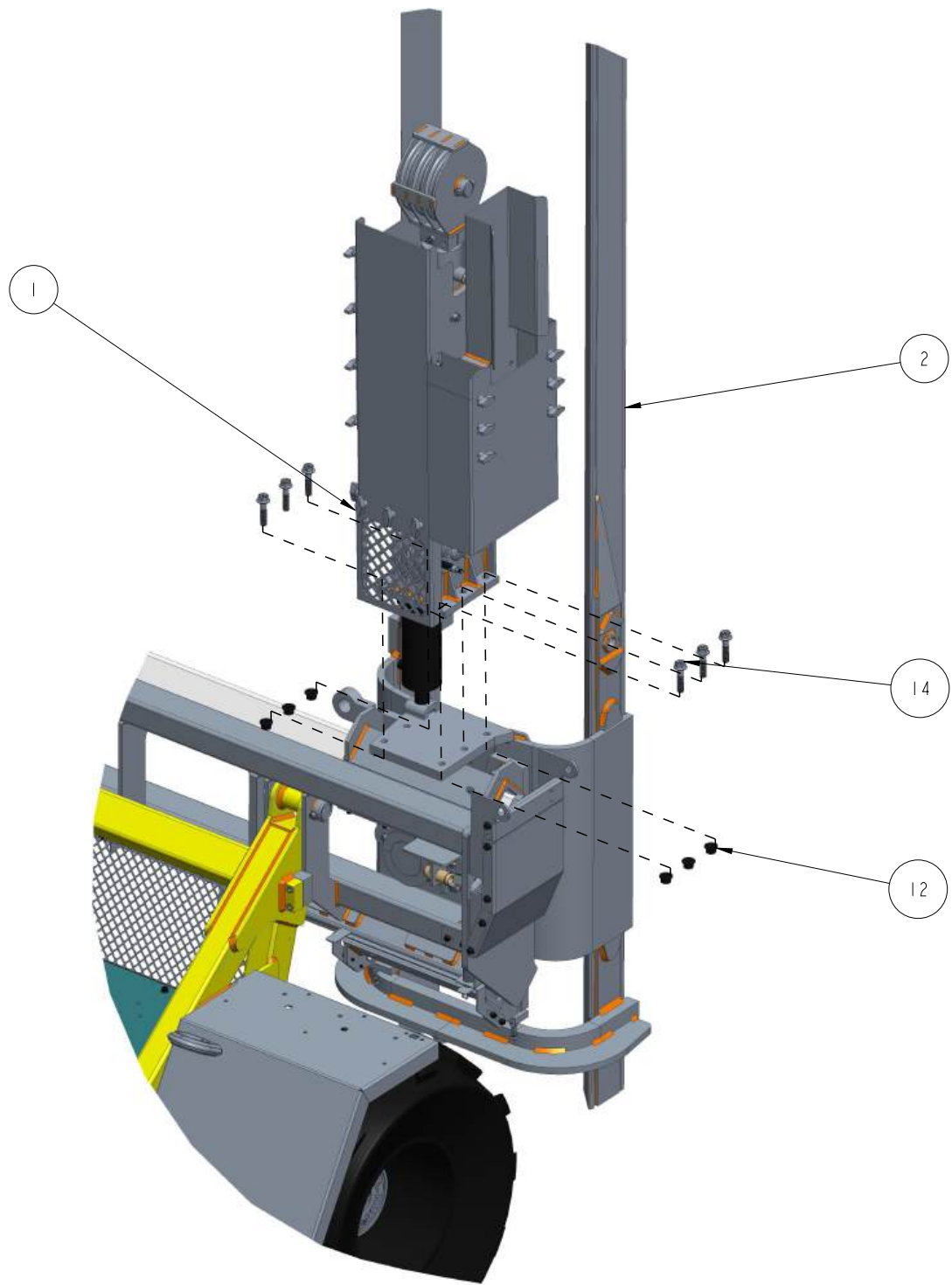
EXPLODED VIEW

7504020



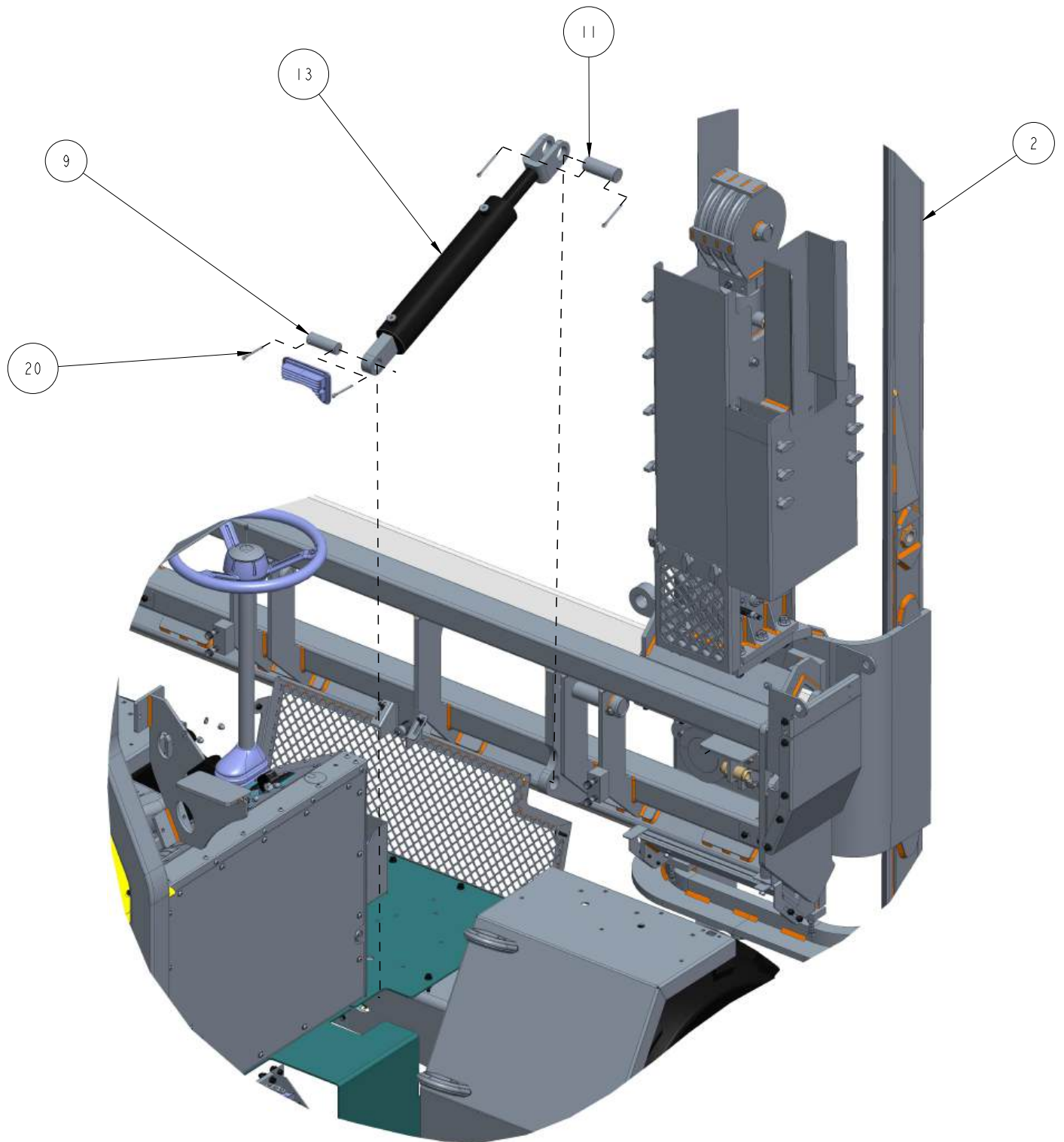
SCALE 0.060
EXPLODED VIEW

7504020



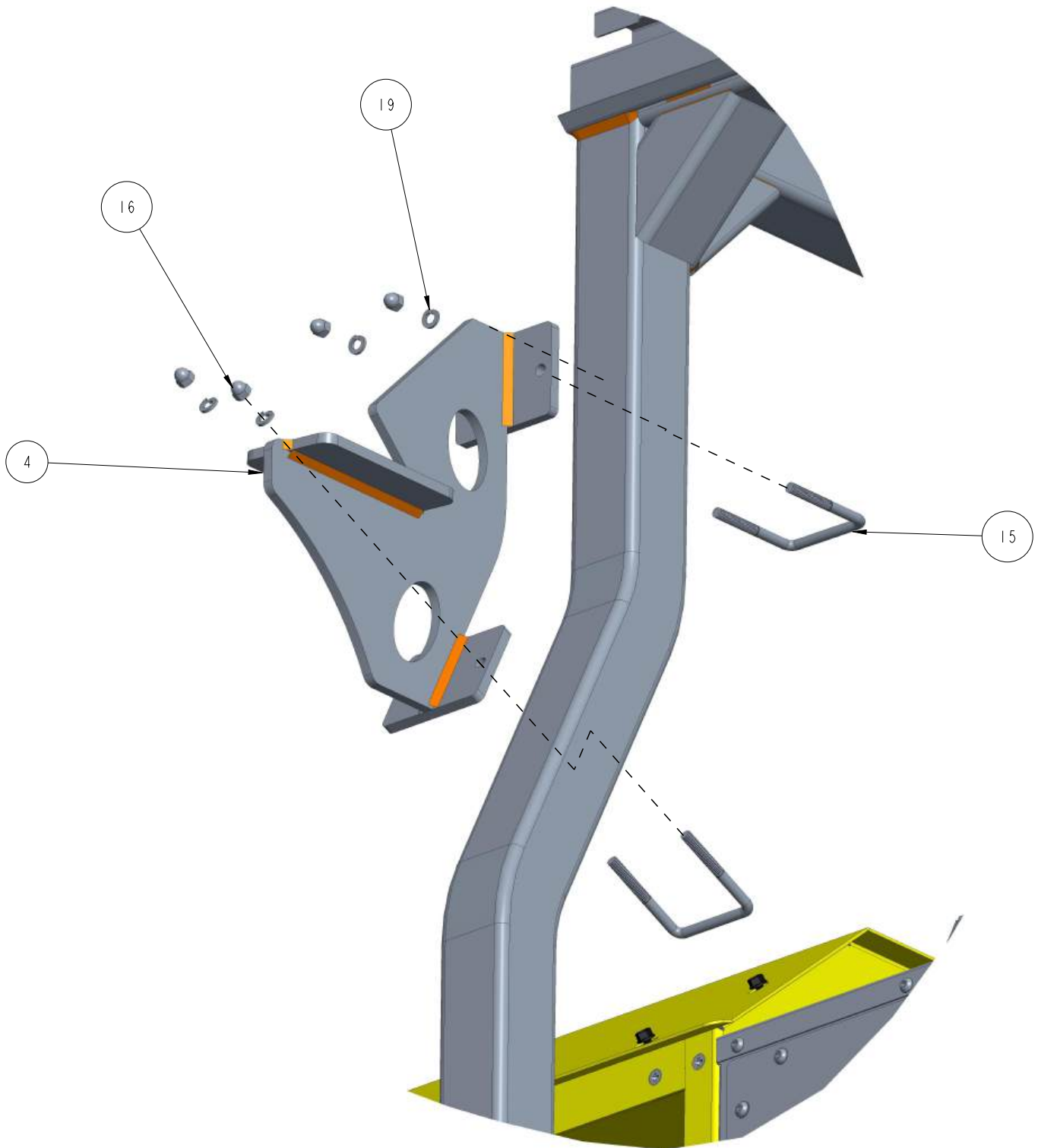
SCALE 0.060
EXPLODED VIEW

7504020



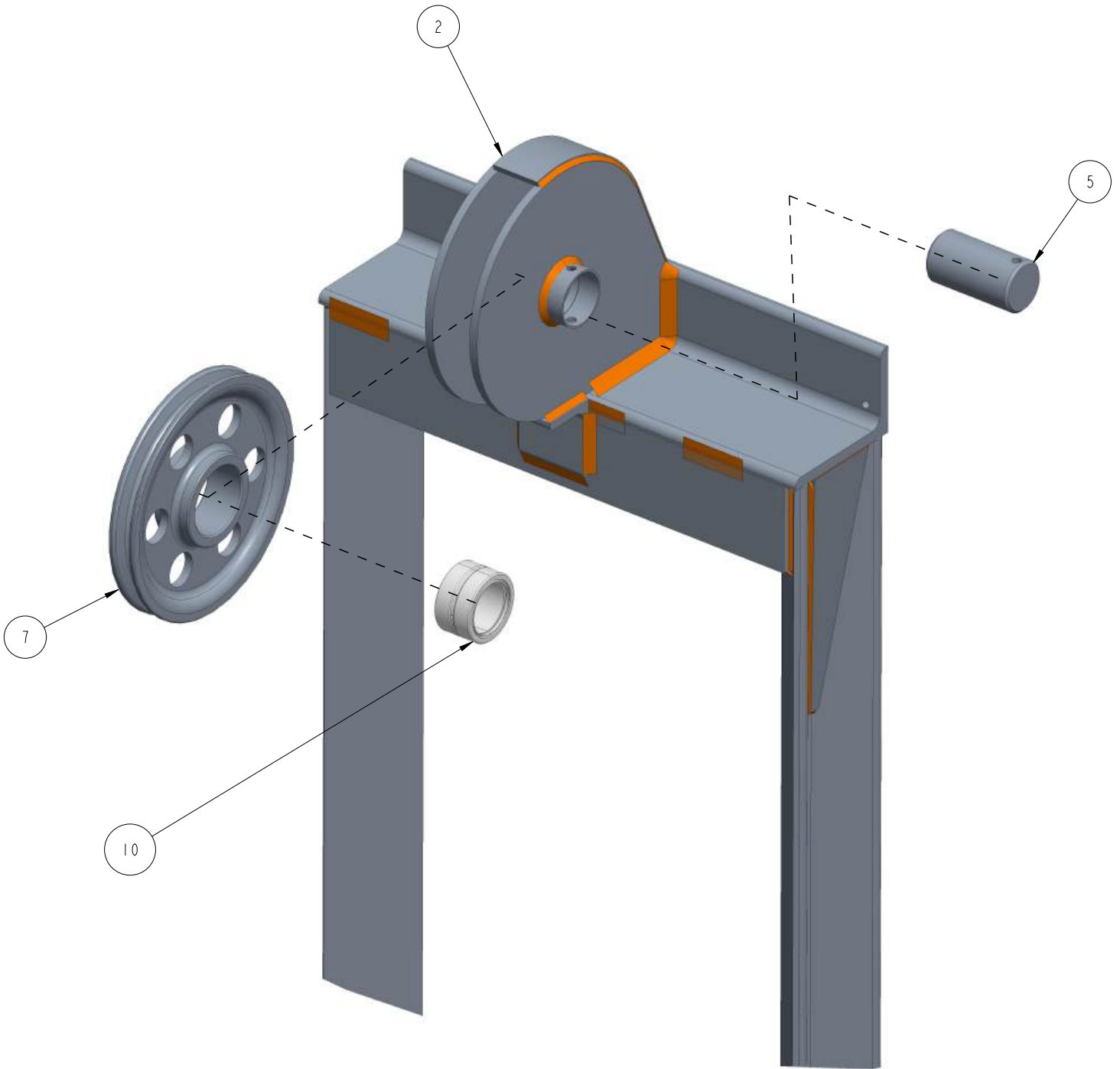
SCALE 0.070
EXPLODED VIEW

7504020



SCALE 0.200
EXPLODED VIEW

7504020

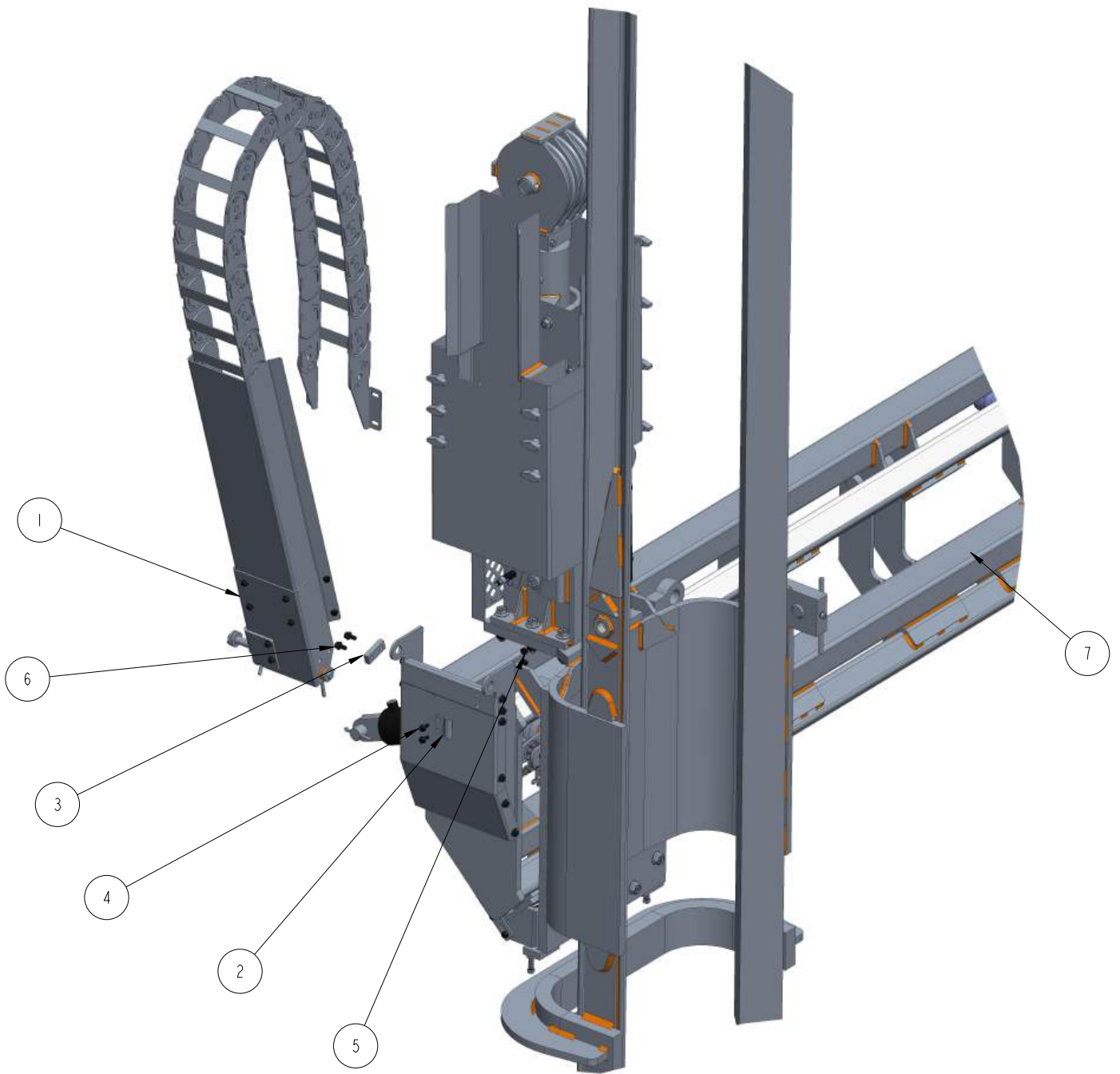


SCALE 0.170
EXPLODED VIEW

7504020

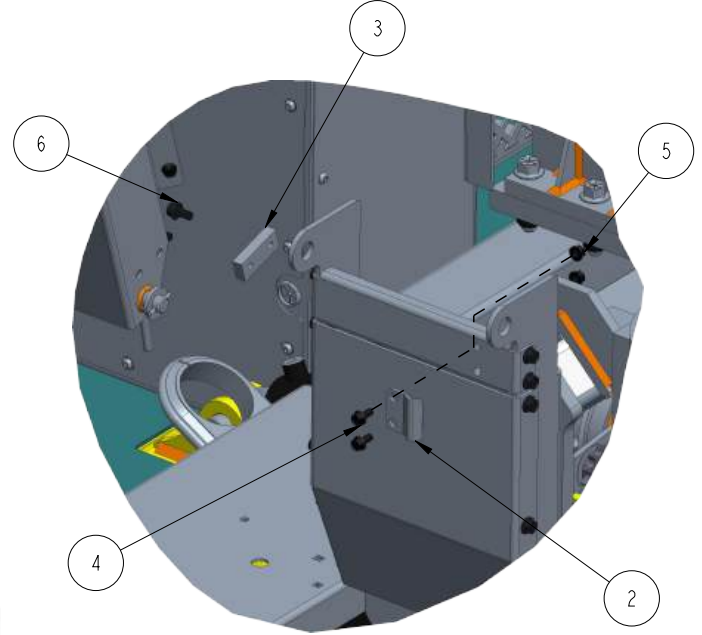
22	40002133	Tilt Cylinder	1	
21	7504018	Slide Assembly	1	
20	5556692	Cotter Pin 1/4" x 2 1/2" Zinc	4	
19	5555205	3/8" lock washer zinc	4	
18	5000631	Bolt w/ Lock washer assy	1	
17	4750155	Lock, Cap screw	1	
16	4253323	3/8-16 Acorn Nut	4	
15	4253322	Modified 3" square u bolt zinc	2	
14	4253260	5/8-18 x 2 3/4" Flanged hex head gr. 8 Blk Phos	6	
13	4253203	3" Layback cylinder	1	
12	4253038	5/8-18 locking flange nut	6	
11	4001531	Tilt and Layback Cyl Pin	1	
10	4001157	Sheave Bearing	1	
9	3002342	TILT CYLINDER	1	
8	3001043	Thrust Washer Center Pin	1	
7	3001042	SHEAVE	1	
6	3001040	Center Pin Nut	1	
5	3000285	PIN LEAD	1	
4	2252024	Lead rest weldment	1	
3	2000316	Lock Pin w/ Lead /A	1	
2	2000315	LEAD	1	
1	1252041	Lift cylinder assembly	1	
ITEM NO	PART NUMBER	DESCRIPTION	QTY	NOTES

7504022

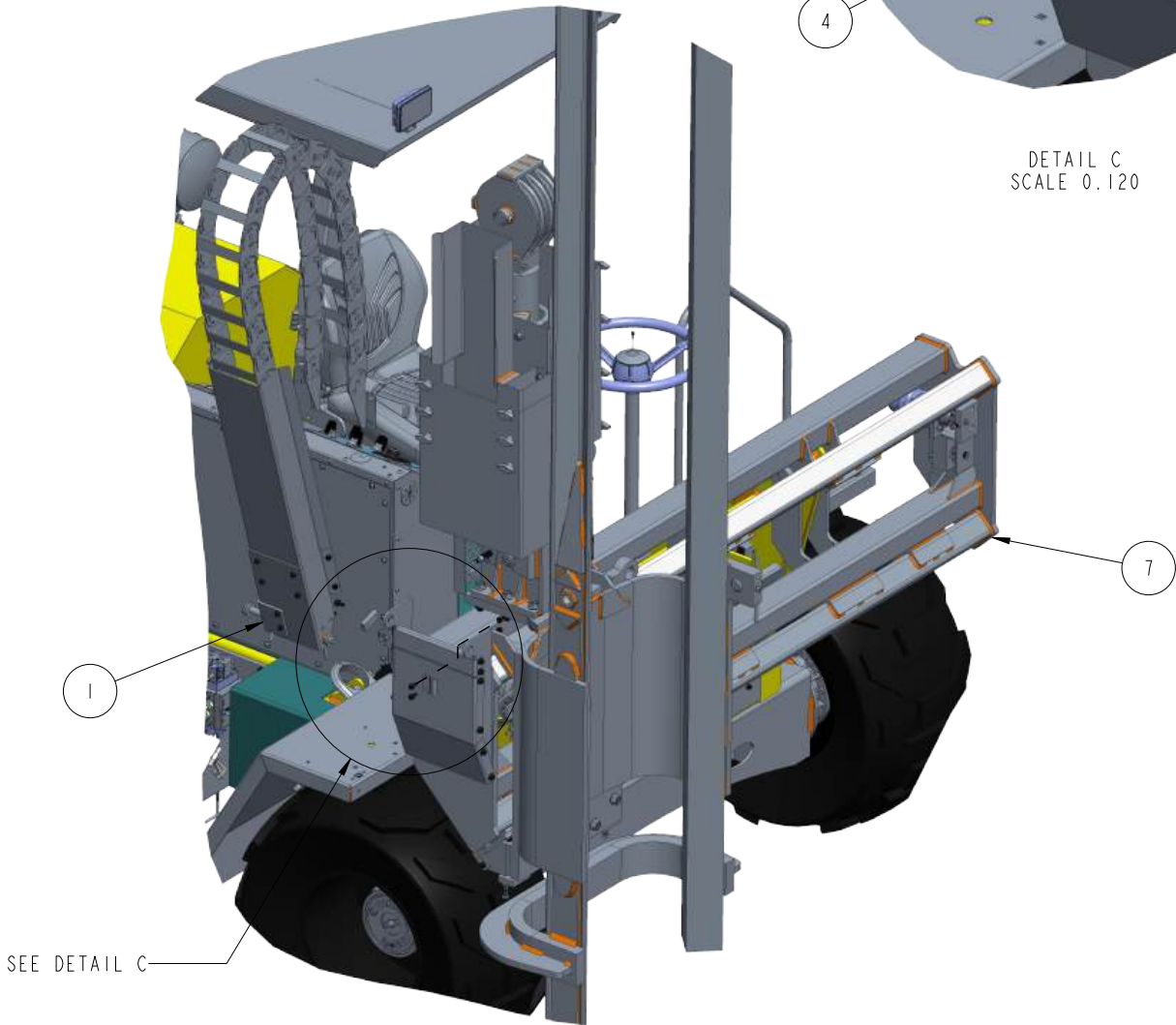


SCALE 0.070
EXPLODED VIEW

7504022



DETAIL C
SCALE 0.120



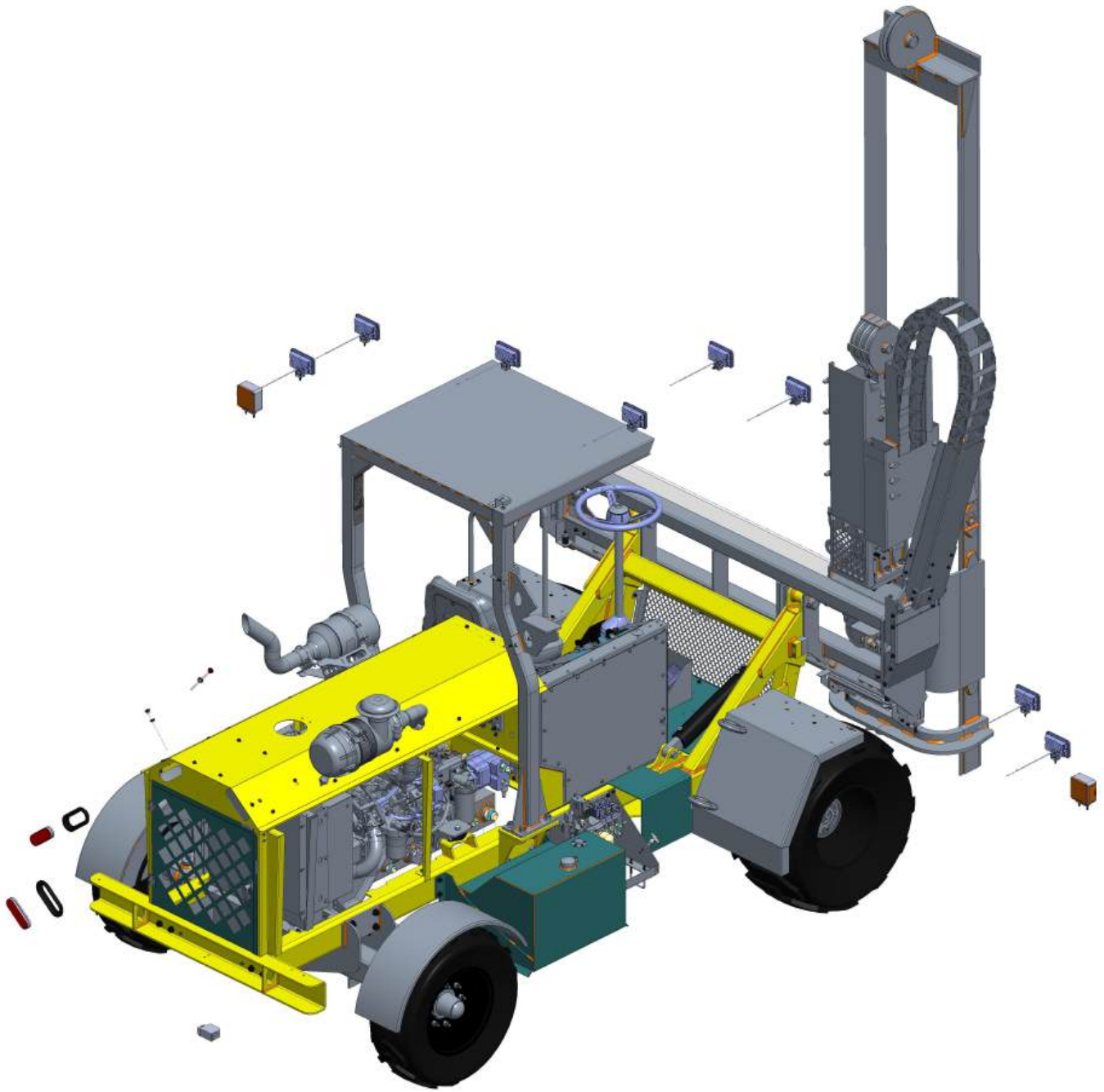
SEE DETAIL C

SCALE 0.050
EXPLODED VIEW

7504022

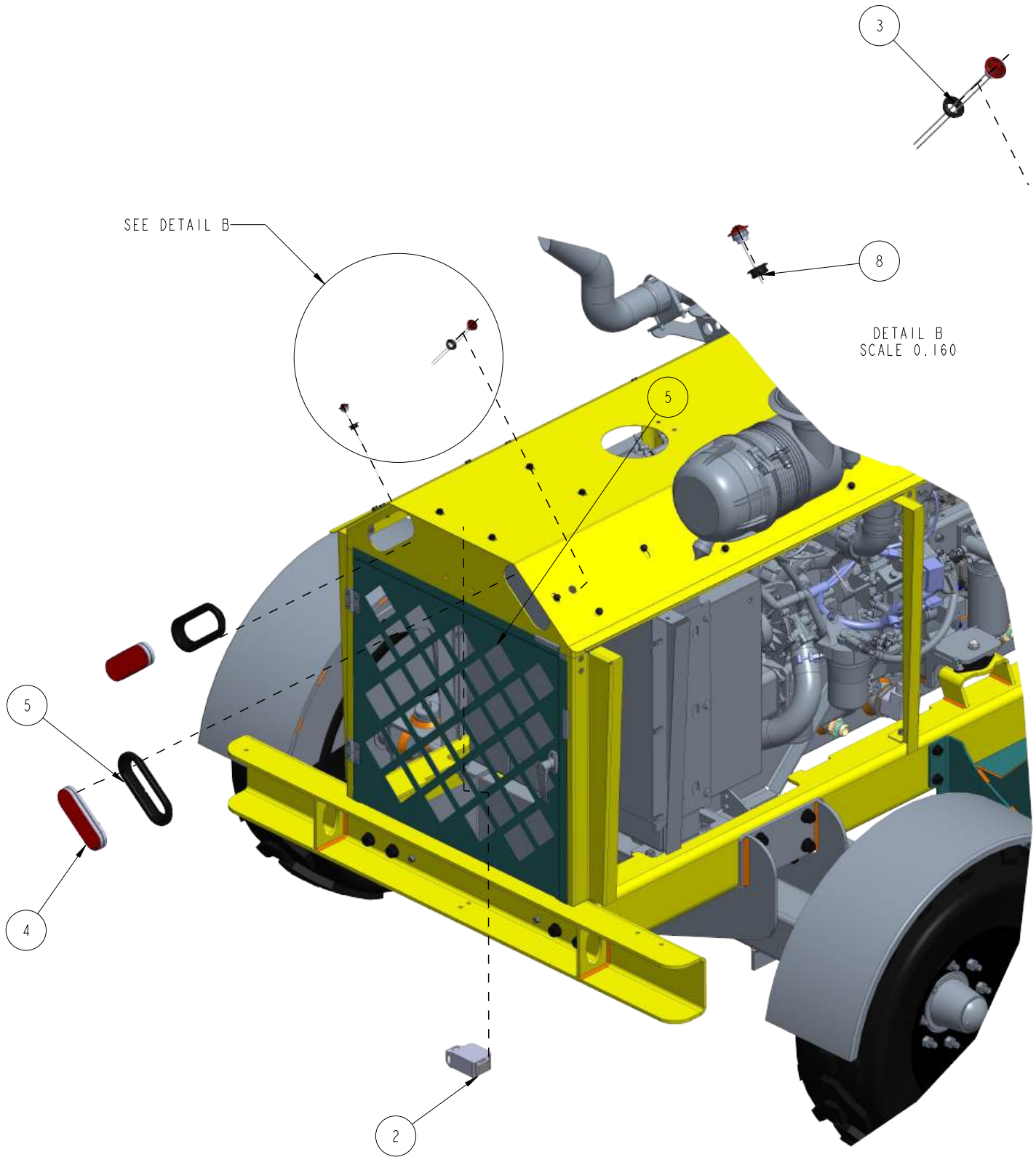
7	7504020	Mast Assembly	1	
6	4253224	3/8-16 x 3/4" flange head bolt black Phosphate	2	
5	4253079	5/16-18 Locking flange nut Blk Phosphate	2	
4	4253078	5/16-18 x 3/4" Flang head bolt Blk Phosphate	2	
3	3251209	Stop block track system	1	
2	3251208	Spring retainer 2 hole	1	
1	1253031	Lower track assembly	1	
ITEM NO	PART NUMBER	DESCRIPTION	QTY	NOTES

7504024



SCALE 0.035
EXPLODED VIEW

7504024

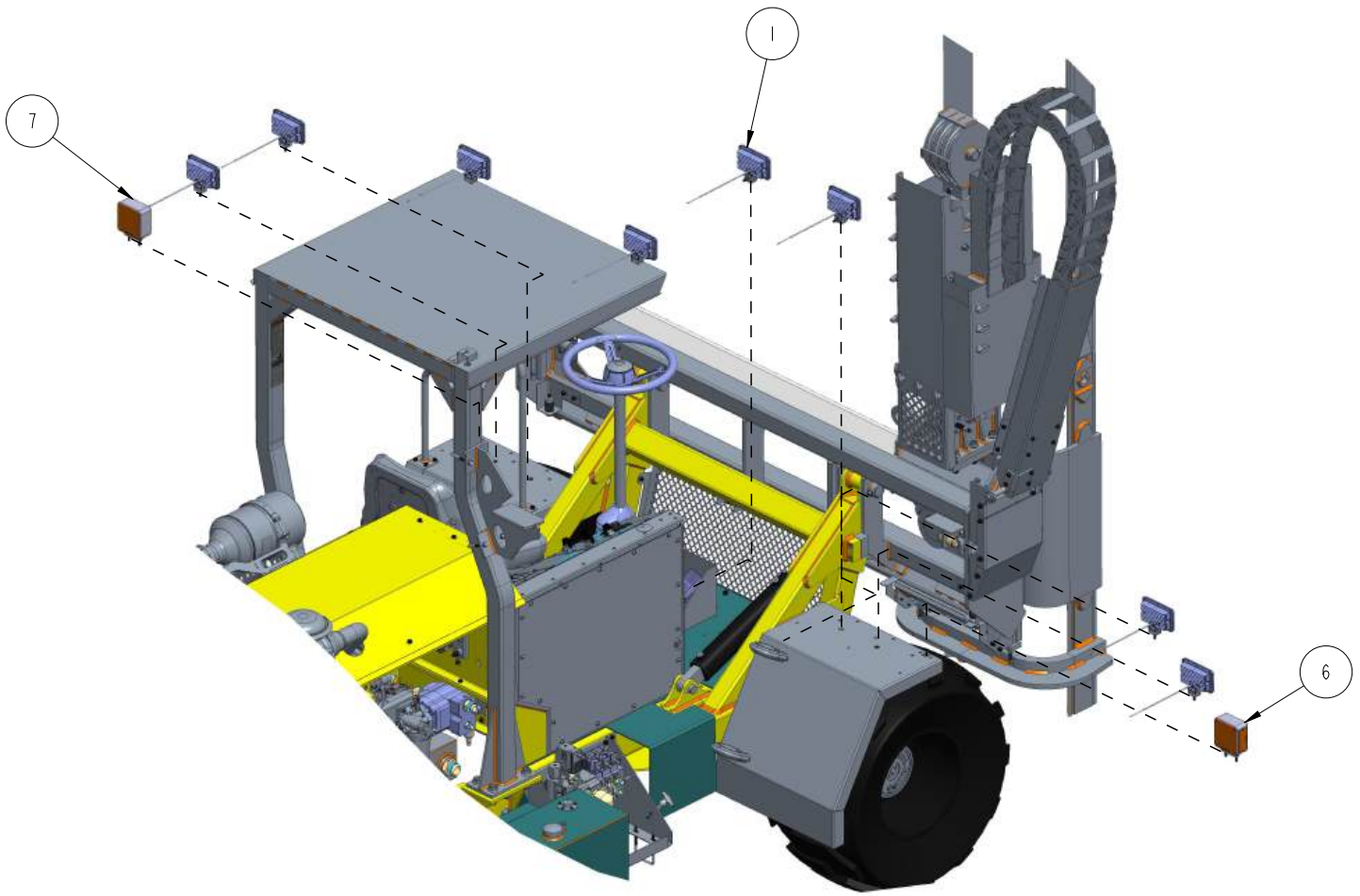


SEE DETAIL B

DETAIL B
SCALE 0.160

SCALE 0.080
EXPLODED VIEW

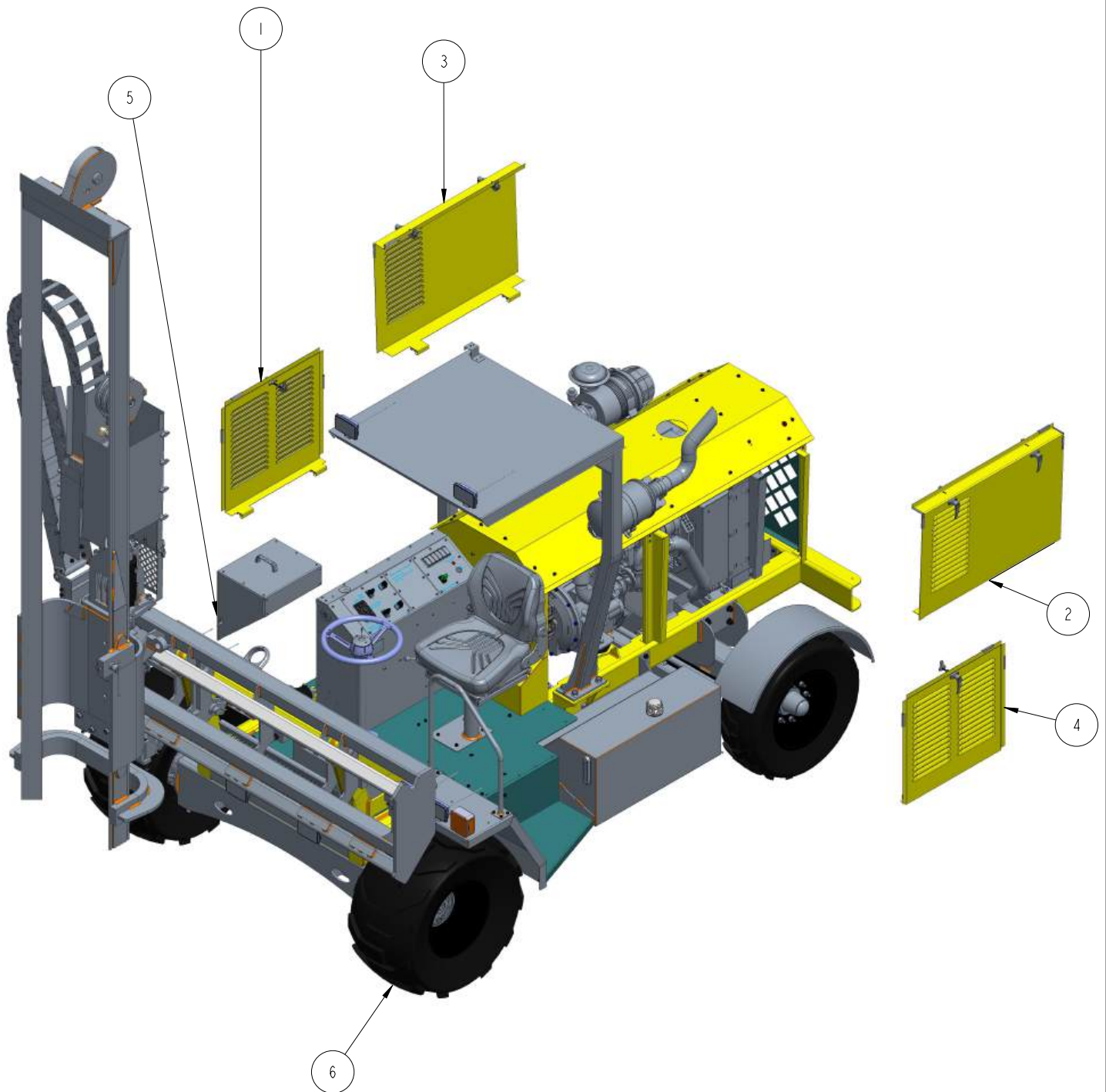
7504024



SCALE 0.040
EXPLODED VIEW

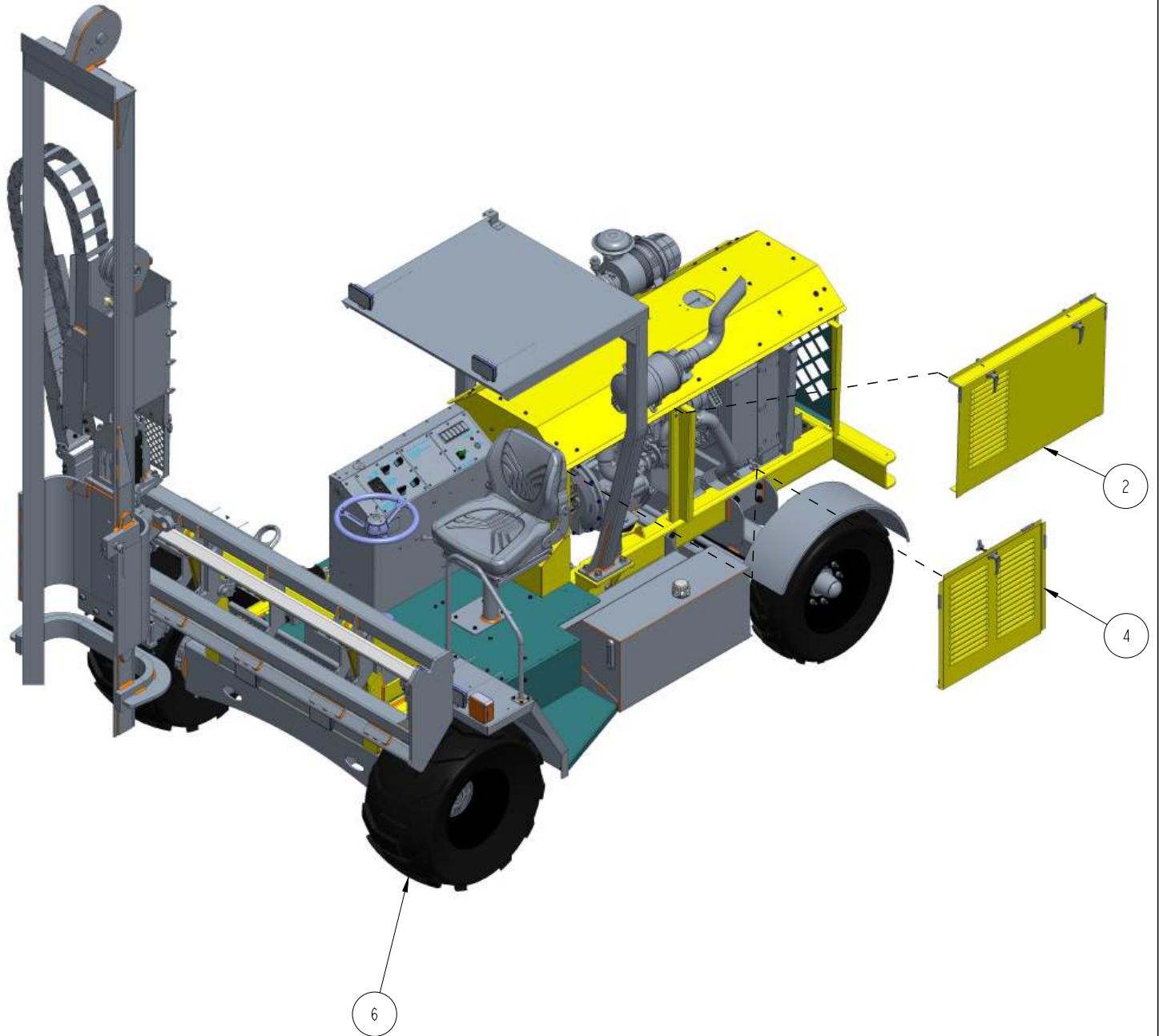
9	7504022	Hose track Assembly	1	
8	4253292	GROMMET	2	
7	4253291	TURN SIGNAL LEFT	1	
6	4253290	TURN SIGNAL RIGHT	1	
5	4253289	Oval tail light gromet	2	
4	4253288	Oval tail light	2	
3	4253219	3/4" clearance light red	2	
2	4001745	Backup alarm	1	
1	4001025	Head Light (3" x 5")	6	
ITEM NO	PART NUMBER	DESCRIPTION	QTY	NOTES

7504026



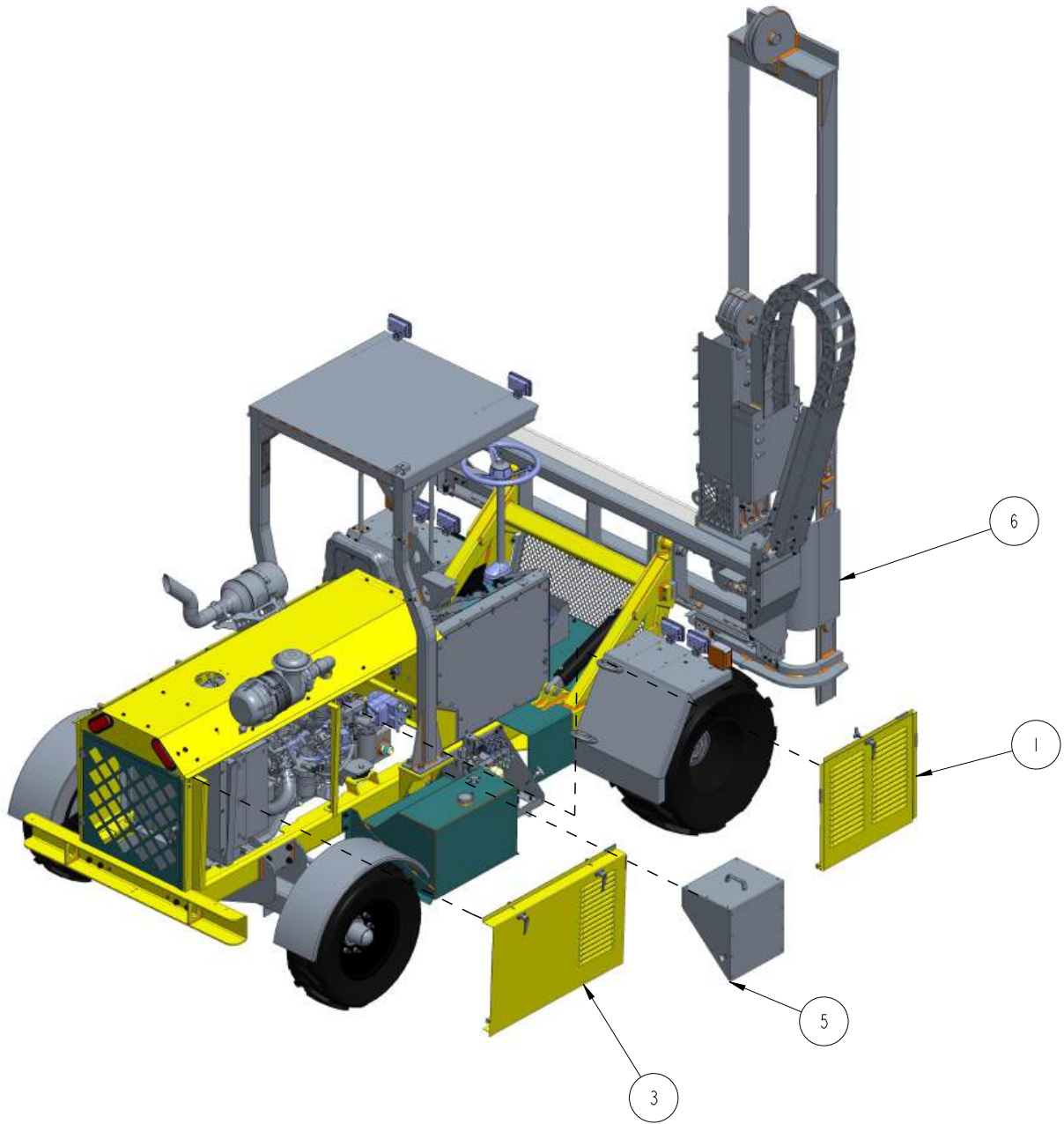
SCALE 0.035
EXPLODED VIEW

7504026



SCALE 0.035
EXPLODED VIEW

7504026



SCALE 0.030

EXPLODED VIEW

6	7504024	Lights & wiring	1	
5	1253029	Valve cover assembly	1	
4	1253011	Front engine panel assembly	1	
3	1252044	Right rear panel assembly	1	
2	1252043	Left Rear Panel Assembly	1	
1	1252042	Right Front Panel Assembly	1	
ITEM NO	PART NUMBER	DESCRIPTION	QTY	NOTES