

Service Bulletin 21-01

Electronic Stroke Controller

21.03.26



See the following table to confirm the replacement part numbers for the controller, cable and sensor installed on your machine. If your machine falls within the serial number range, and has the hammer control display and sensor shown in the table, order those parts.

309-752-1341
info@arrowmaster.com
www.arrowmaster.com

Follow the instructions on page 2 to install the replacement sensor on your machine.

Configuration	Hammer Control	Sensor	Replacement Parts
A Machine Model 1250, 1350 Serial Number Up to 8002			Controller Part # 2000608 (not available, replace with # 6304080) Shielded Cable Part # 2000625 Sensor Part # 4001890
B Machine Model 1350 Serial Number 8003 - 8015			Controller Part # 6304075 (not available, replace with # 6304080) [Danfoss REV 104] Shielded Cable Part # 6302106 Sensor Part # 6302105
C Machine Model 1350 Serial Number 8015 - 8024			Controller Part # 6305001 (factory installed, also sold as kit) Shielded Cable Part # 6305005 Sensor Part # 6305006
D Kit replaced factory electronic stroke control on older machines.			Controller Kit Part # 6304080 [Danfoss REV 101] Shielded Cable Part # 6302106 Sensor Part # 6302105

Service Bulletin 21-01

Electronic Stroke Controller

21.03.26

Installing the Sensor

Picture Note: Machine with sensor installed on mast shown. Follow these instructions for machines with sensor installed on lift cylinder also.

1. Lay the mast down.
2. Remove the two bolts (A) and lockwashers securing the sensor to the sheave housing (Fig. 1).
3. Remove the sensor bracket (B) (Fig. 1).
4. Move the sheave until the hub contacts the side of the sheave housing which has the sensor mounting hole.
5. Measure the distance between the spoke on the sheave and the outer face of the sheave housing.
6. Determine sensor distance (dimension C) (Fig. 2):
 - For machines with Configuration A (see table) subtract 3.2 mm (1/8 in.) from the measured distance.
 - For machines with Configuration B or D (see table) subtract 6 mm (1/4 in.) from the measured distance.
 - For machines with Configuration C (see table) subtract 4.5 mm (3/16 in.) from the measured distance.
7. Adjust the distance from the sensor face to the bracket face to dimension C.
8. Reinstall the sensor bracket and sensor to the sheave housing.

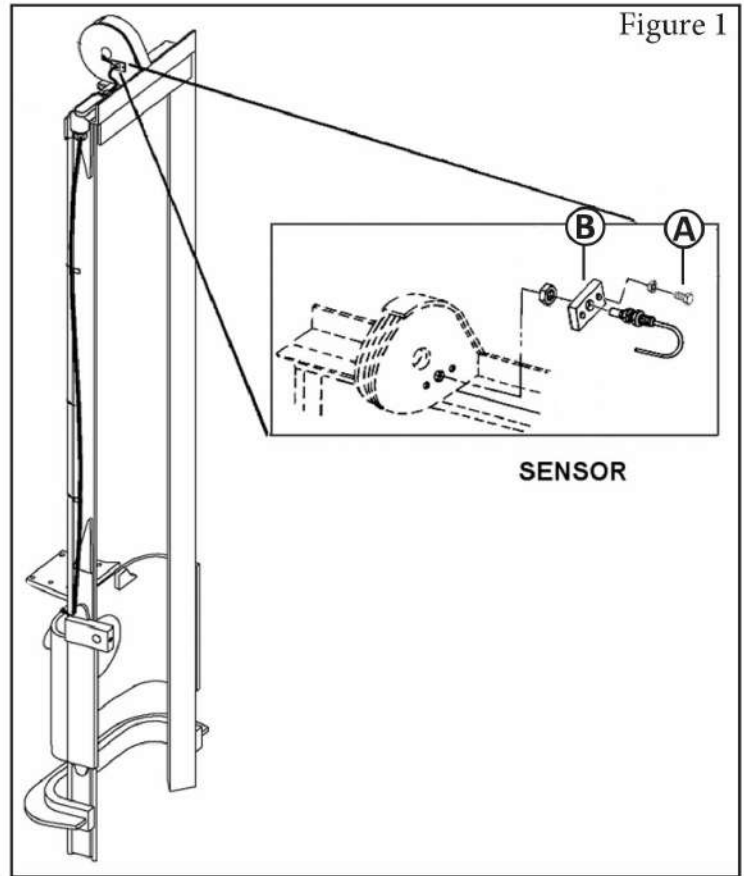


Figure 1

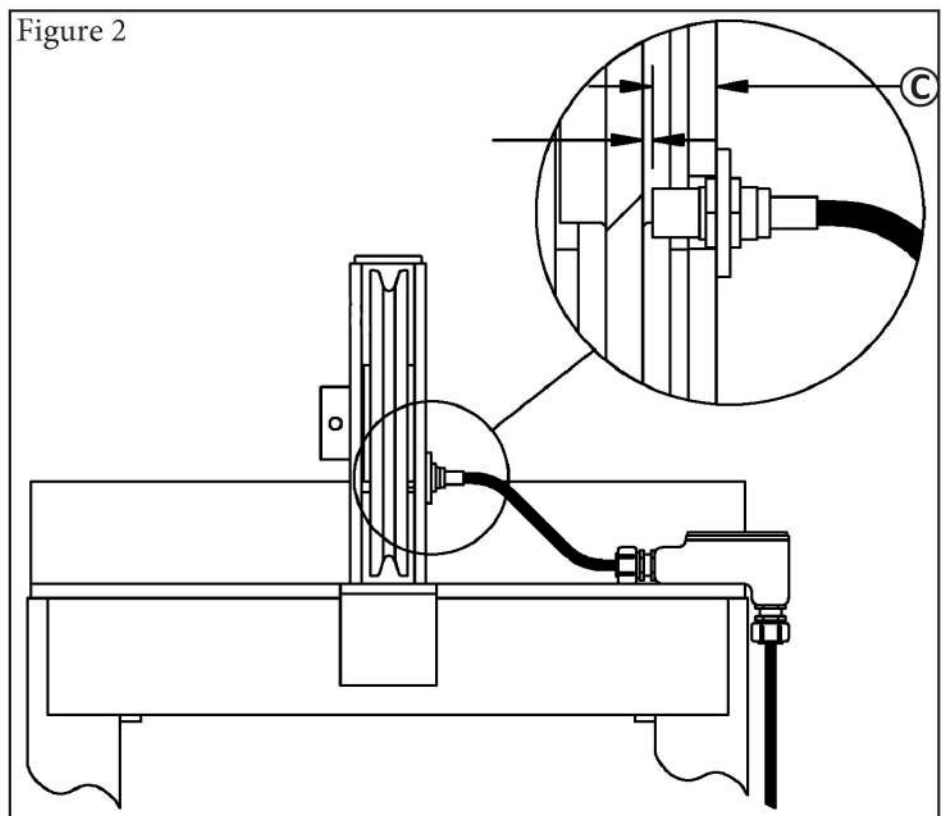


Figure 2